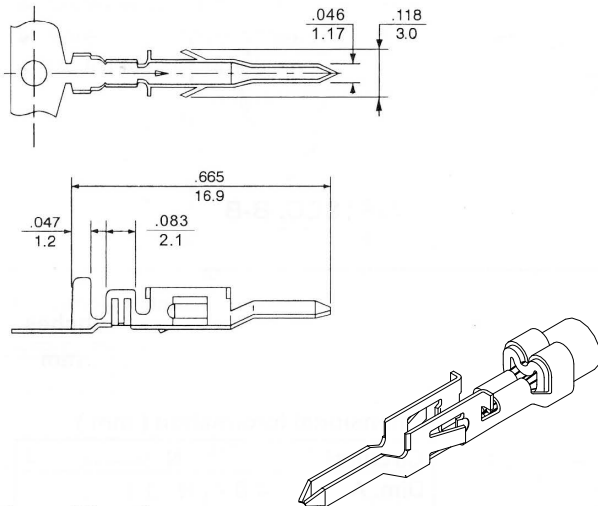




# High Current/High Density Power Connector System

The power Connector series is designed for high current / high density applications which require the design flexibility of wire to wire and wire to board configurations in the interconnection system. The power connector system is appropriate for both power and signal applications as it can carry currents of up to 9 amperes per circuit.

## 4257T Series Crimp Terminal



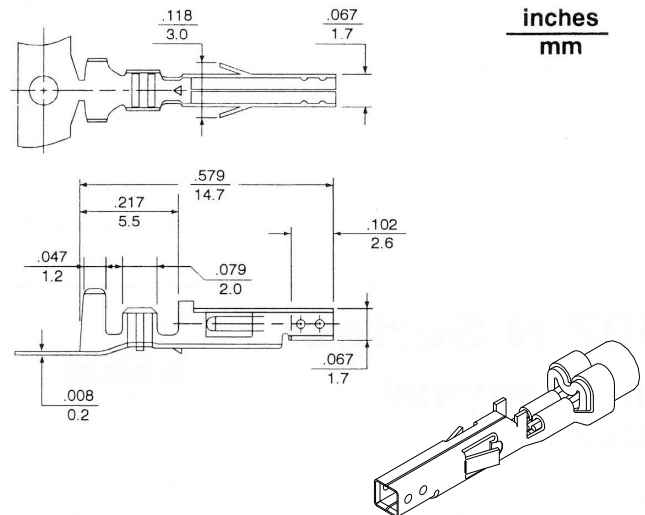
### Specifications:

● **Electrical:**

- Voltage Rating: 600V (R.M.S.)
- Contact Resistance: 10mΩ max.
- Dielectric strength: 1500V AC

- UL File No. : E114003

## 4256T Series Crimp Terminal



inches  
mm

● **Mechanical:**

- Temperature Rise: (Carrying rated current load) 30°C max.

### Ordering & Dimensional Information:

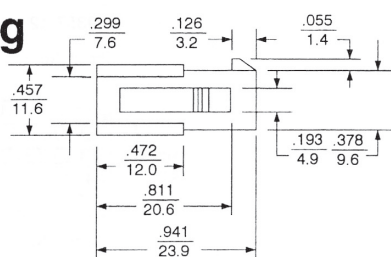
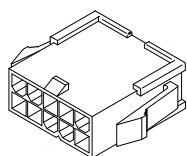
Part No.	Wire Size (AWG)	Max. Ins. Dia. (mm)	Material	Thickness (mm)	Finish	Chain Type
4256T1	#22 ~ #28	1.8	Brass	0.2	Tin-plated	End Chain
4256T2	#18 ~ #24	3.1				
4256T3	#16					
4256TP1	#22 ~ #28	1.8	Phosphor Bronze			
4256TP2	#18 ~ #24	3.1				
4256TP3	#16					
4257T1	#22 ~ #28	1.8	Brass			
4257T2	#18 ~ #24	3.1				
4257T3	#16					



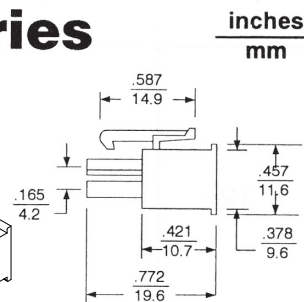
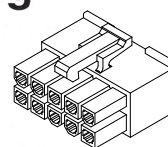
# High Current / High Density .165" (4.2mm) Housings

- UL 94V-2 nylon 66
- Available in 2 to 24 circuit
- Insulation Resistance: 1000MΩ min.
- Dielectric strength: 1500V AC
- Positive housing locks
- Fully isolated terminals
- Low engagement force terminals
- Wire to wire
- Wire to board (vertical header)
- Wire to board (right angle header)

## 9358-N Series Plug Housing



## 9357-N Series Receptacle Housing

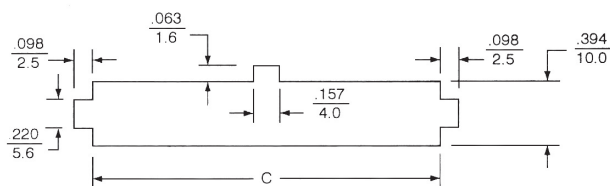


Circuits	Dimensional Information	
	Plug	Receptacle
2	9358-02E 9358-02 (W/O Mtg. Ears) 	9357-02 
4	9358-04E 9358-04 (W/O Mtg. Ears) 	9357-04 
6	9358-06E 9358-06 (W/O Mtg. Ears) 	9357-06 
8	9358-08E 9358-08 (W/O Mtg. Ears) 	9357-08 

Circuits	Dimensional Information	
	Plug	Receptacle
10	<p>9358-10E 9358-10 (W/O Mtg. Ears)</p>	<p>9357-10</p>
12	<p>9358-12E 9358-12 (W/O Mtg. Ears)</p>	<p>9357-12</p>
14	<p>9358-14E 9358-14 (W/O Mtg. Ears)</p>	<p>9357-14</p>
16	<p>9358-16E 9358-16 (W/O Mtg. Ears)</p>	<p>9357-16</p>
18	<p>9358-18E 9358-18 (W/O Mtg. Ears)</p>	<p>9357-18</p>
20	<p>9358-20E 9358-20 (W/O Mtg. Ears)</p>	<p>9357-20</p>



Circuits	Dimensional Information	
	Plug	Receptacle
22	9358-22E 9358-22 (W/O Mtg. Ears) 	9357-22 
24	9358-24E 9358-24 (W/O Mtg. Ears) 	9357-24 



Mounting Hole Details for 9358-N Housing (Dual Row)  
 Max. Panel Thickness: 2.54mm

**Dimensional Information - in. (mm)**

Circuits	Dim. A	Dim. B	Dim. C	Circuits	Dim. A	Dim. B	Dim. C
2		.213 ( 5.4)	.228 ( 5.8)	14	.992 (25.2)	1.205 (30.6)	1.220 (31.0)
4	.165 ( 4.2)	.378 ( 9.6)	.394 (10.0)	16	1.157 (29.4)	1.370 (34.8)	1.386 (35.2)
6	.331 ( 8.4)	.543 (13.8)	.559 (14.2)	18	1.323 (33.6)	1.535 (39.0)	1.551 (39.4)
8	.496 (12.6)	.709 (18.0)	.724 (18.4)	20	1.488 (37.8)	1.701 (43.2)	1.717 (43.6)
10	.681 (16.8)	.874 (22.2)	.890 (22.6)	22	1.654 (42.0)	1.866 (47.4)	1.882 (47.8)
12	.827 (21.0)	1.039 (26.4)	1.055 (26.8)	24	1.819 (46.2)	2.031 (51.6)	2.047 (52.0)

**• Current Rating & Wire Size:**

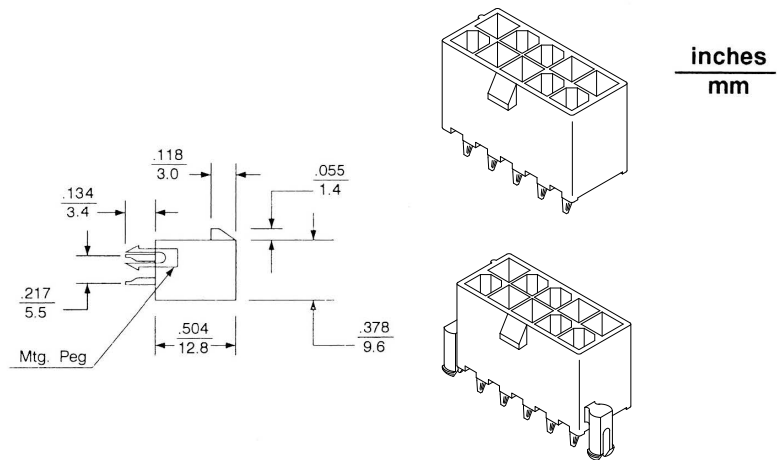
Wire Size AWG	Rated Voltage	Circuits			
		2	4 ~ 6	8 ~ 10	12 ~ 24
# 18	250V	9A	8A	7A	6A
# 20		7A	6A	5A	5A
# 22		5A	4A	4A	4A
# 24		4A	3A	3A	3A



# .165" (4.2mm) Power Connector System

## 9359-N Series Vertical Header

- Available in 2 to 24 circuits
- Terminal: Tin-plated Brass
- Housing: UL 94V-2 nylon 66
- Positive housing locks
- With or without mounting pegs
- With or without drain holes
- Mate with Alex 9357 series housing
- Dielectric Withstanding Voltage: 1500V AC/minute
- Ambient Temperature Range: -40°C ~ 105°C
- UL File No.: E114003



Circuits	Dimensional Information	
	Vertical Header (Without Drain Holes)	Vertical Header (With Drain Holes)
2	<p>9359-02P 9359-02 (W/O Mtg. Pegs)</p>	<p>9359-02DP 9359-02D (W/O Mtg. Pegs)</p>
4	<p>9359-04P 9359-04 (W/O Mtg. Pegs)</p>	<p>9359-04DP 9359-04D (W/O Mtg. Pegs)</p>

# .165" (4.2mm) Power Connector System

Circuits	Dimensional Information	
	Vertical Header (Without Drain Holes)	Vertical Header (With Drain Holes)
6	9359-06P 9359-06 (W/O Mtg. Pegs)	9359-06DP 9359-06D (W/O Mtg. Pegs)
8	9359-08P 9359-08 (W/O Mtg. Pegs)	9359-08DP 9359-08D (W/O-Mtg. Pegs)
10	9359-10P 9359-10 (W/O Mtg. Pegs)	9359-10DP 9359-10D (W/O Mtg. Pegs)
12	9359-12P 9359-12 (W/O Mtg. Pegs)	9359-12DP 9359-12D (W/O Mtg. Pegs)



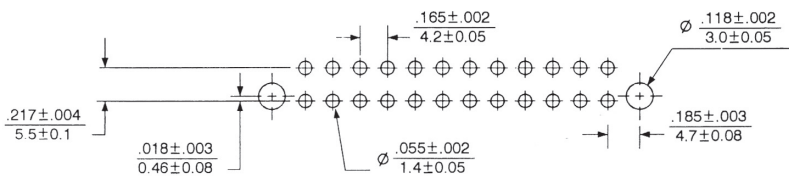
# .165" (4.2mm) Power Connector System

Circuits	Dimensional Information	
	Vertical Header (Without Drain Holes)	Vertical Header (With Drain Holes)
14	<p>9359-14P 9359-14 (W/O Mtg. Pegs)</p>	<p>9359-14DP 9359-14D (W/O Mtg. Pegs)</p>
	<p>9359-16P 9359-16 (W/O Mtg. Pegs)</p>	<p>9359-16DP 9359-16D (W/O Mtg. Pegs)</p>
18	<p>9359-18P 9359-18 (W/O Mtg. Pegs)</p>	<p>9359-18DP 9359-18D (W/O Mtg. Pegs)</p>
	<p>9359-20P 9359-20 (W/O Mtg. Pegs)</p>	<p>9359-20DP 9359-20D (W/O Mtg. Pegs)</p>

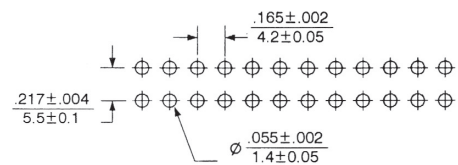


# .165" (4.2mm) Power Connector System

Circuits	Dimensional Information	
	Vertical Header (Without Drain Holes)	Vertical Header (With Drain Holes)
22	9359-22P 9359-22 (W/O Mtg. Pegs)	9359-22DP 9359-22D (W/O Mtg. Pegs)
	9359-24P 9359-24 (W/O Mtg. Pegs)	9359-24DP 9359-24D (W/O Mtg. Pegs)



Vertical Header with Pegs  
P.C.B. Dimensions



Vertical Header without Pegs  
P.C.B. Dimensions

## Dimensional Information - in. (mm)

Circuits	Dim. A	Dim. B	Dim. C	Circuits	Dim. A	Dim. B	Dim. C
2		.213 ( 5.4)	.370 ( 9.4)	14	.992 (25.2)	1.205 (30.6)	1.362 (34.6)
4	.165 ( 4.2)	.378 ( 9.6)	.535 (13.6)	16	1.157 (29.4)	1.370 (34.8)	1.528 (38.8)
6	.331 ( 8.4)	.543 (13.8)	.701 (17.8)	18	1.323 (33.6)	1.535 (39.0)	1.693 (43.0)
8	.496 (12.6)	.709 (18.0)	.866 (22.0)	20	1.488 (37.8)	1.701 (43.2)	1.858 (47.2)
10	.681 (16.8)	.874 (22.2)	1.031 (26.2)	22	1.654 (42.0)	1.866 (47.4)	2.024 (51.4)
12	.827 (21.0)	1.039 (26.4)	1.197 (30.4)	24	1.819 (46.2)	2.031 (51.6)	2.189 (55.6)

## Ordering Information

Part No.	Features
9359-xx	Without Drain Holes and Mtg. Pegs
9359-xxP	Without Drain Holes but with Mtg. Pegs
9359-xxD	With Drain Holes but without Mtg. Pegs
9359-xxDP	With Drain Holes and Mtg. Pegs

Replace "xx" with number of circuits, 02~24



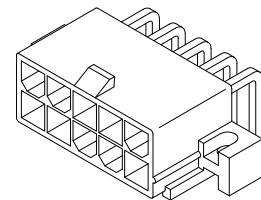
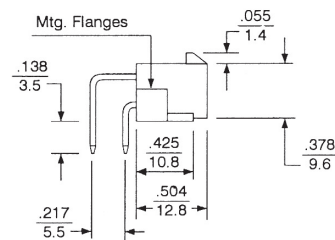


# .165" (4.2mm) Power Connector System

## 9360 -N Series Right Angle Header

- Available in 2 to 24 circuits
- .045" (1.14mm) square wire pin
- Material: UL 94V-2 nylon 66
- Pin material: Trn-plated brass
- Positive housing locks
- With or without mounting flanges
- Mate with Alex 9357 series housing
- Dielectric Withstanding Voltage: 1500V AC/minute
- Ambient Temperature Range: -40°C ~ 105°C
- UL File No.: E114003

inches  
mm



Circuits	Dimensional Information	
	Right Angle Header (W/Mtg. Flanges)	Right Angle Header (W/O Mtg. Flanges)
2	<p>9360-02F</p> <p>Circuit No.1</p>	<p>9360-02 (W/O Mtg. Flanges)</p> <p>Circuit No.1</p>
4	<p>9360-04F</p> <p>Circuit No.1, Circuit No.3</p>	<p>9360-04 (W/O Mtg. Flanges)</p> <p>Circuit No.1, Circuit No.3</p>



# .165" (4.2mm) Power Connector System

Circuits	Dimensional Information	
	Right Angle Header (W/Mtg. Flanges)	Right Angle Header (W/O Mtg. Flanges)
6	<p>9360-06F</p>	<p>9360-06 (W/O Mtg. Flanges)</p>
8	<p>9360-08F</p>	<p>9360-08 (W/O Mtg. Flanges)</p>
10	<p>9360-10F</p>	<p>9360-10 (W/O Mtg. Flanges)</p>
12	<p>9360-12F</p>	<p>9360-12 (W/O Mtg. Flanges)</p>



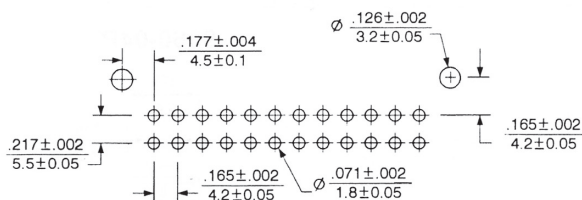
# .165" (4.2mm) Power Connector System

Circuits	Dimensional Information	
	Right Angle Header (W/Mtg. Flanges)	Right Angle Header (W/O Mtg. Flanges)
14	<p>9360-14F</p>	<p>9360-14 (W/O Mtg. Flanges)</p>
16	<p>9360-16F</p>	<p>9360-16 (W/O Mtg. Flanges)</p>
18	<p>9360-18F</p>	<p>9360-18 (W/O Mtg. Flanges)</p>
20	<p>9360-20F</p>	<p>9360-20 (W/O Mtg. Flanges)</p>

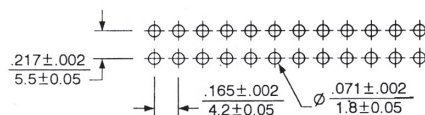


# .165" (4.2mm) Power Connector System

Circuits	Dimensional Information	
	Right Angle Header (W/Mtg. Flanges)	Right Angle Header (W/O Mtg. Flanges)
22	<p>9360-22F</p>	<p>9360-22 (W/O Mtg. Flanges)</p>
24	<p>9360-24F</p>	<p>9360-24 (W/O Mtg. Flanges)</p>



Right Angle Header with Flanges  
P.C.B. Hole Dimensions



Right Angle Header without Flanges  
P.C.B. Hole Dimensions

## Dimensional Information - in. (mm)

Circuits	Dim. A	Dim. B	Dim. C	Dim. D	Circuits	Dim. A	Dim. B	Dim. C	Dim. D
2		.213 ( 5.4)	.354 ( 9.0)	.606 (15.4)	14	.992 (25.2)	1.205 (30.6)	1.346 (34.2)	1.598 (40.6)
4	.165 ( 4.2)	.378 ( 9.6)	.520 (13.2)	.772 (19.6)	16	1.157 (29.4)	1.370 (34.8)	1.512 (38.4)	1.764 (44.8)
6	.331 ( 8.4)	.543 (13.8)	.685 (17.4)	.937 (23.8)	18	1.323 (33.6)	1.535 (39.0)	1.677 (42.6)	1.929 (49.0)
8	.496 (12.6)	.709 (18.0)	.850 (21.6)	1.102 (28.0)	20	1.488 (37.8)	1.701 (43.2)	1.843 (46.8)	2.094 (53.2)
10	.681 (16.8)	.874 (22.2)	1.016 (25.8)	1.268 (32.2)	22	1.654 (42.0)	1.866 (47.4)	2.008 (51.0)	2.260 (57.4)
12	.827 (21.0)	1.039 (26.4)	1.181 (30.0)	1.433 (36.4)	24	1.819 (46.2)	2.031 (51.6)	2.173 (55.2)	2.425 (61.6)

## Ordering Information

Part No.	Features
9360-xx	Without Mtg. Flanges
9360-xxF	With Mtg. Flanges

Replace "xx" with number of circuits, 02~24



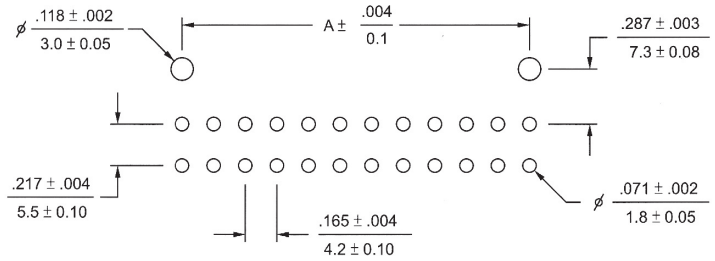
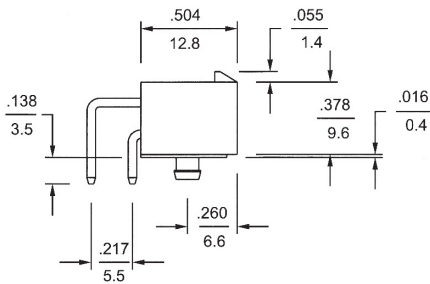
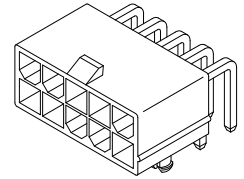
# .165"(4.2mm) Power Connector System

## 9360-xxP Series Right Angle Header

inches  
mm

- Available in 2 to 24 circuits
- .045"(1.14mm) square wire pin
- Material: UL 94V-2 nylon 66
- Pin material: Tin-plated brass
- Positive housing locks
- Mates with ALEX 9357 series housing

- Dielectric withstanding voltage: 1500V AC/minute
- Ambient temperature range: -40 °C ~ 105 °C
- Recommended P.C.B. thickness: 1.78mm max.
- UL file No.: E114003



$$A = (\text{Number of circuits} / 2 - 1) \times 4.2$$

### PCB LAYOUT: COMPONENT SIDE

Circuits	Dimensional Information	Circuits	Dimensional Information
2	<p><b>9360-02P</b></p>	4	<p><b>9360-04P</b></p>
	<p><b>9360-06P</b></p>		<p><b>9360-08P</b></p>



# .165" (4.2mm) Power Connector System

Circuits	Dimensional Information	Circuits	Dimensional Information
10	<p><b>9360-10P</b></p>	12	<p><b>9360-12P</b></p>
	<p><b>9360-14P</b></p>		<p><b>9360-16P</b></p>
18	<p><b>9360-18P</b></p>	20	<p><b>9360-20P</b></p>
	<p><b>9360-22P</b></p>		<p><b>9360-24P</b></p>



# .165"(4.2mm) Crimp Terminal Housing

## Specifications:

- Voltage rating: 600V AC, DC ( R.M.S. )
- Insulation resistance: DC 500V 1000M $\Omega$  Min.
- Dielectric withstanding voltage: 1500V AC/minute
- Ambient temperature range: -40°C ~ 105°C  
( including temperatute rise )
- UL file No. : E114003

- Current rating and wire size:

Maximum current rating ( Amperes )				
Wire	Ckt Size			
	2	4, 6	8, 10	12~24
AWG #16	9	8	7	6
AWG #18	7	6	5	4
AWG #20	6	5	4	4
AWG #22	5	4	4	4
AWG #24	4	3	3	3
AWG #26	2	1	1	1
AWG #28	1	1	1	1

## 9361-xx Series Crimp Terminal Housing

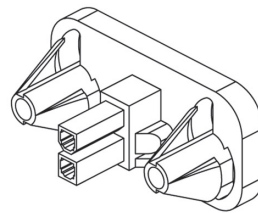
- 2 ~ 24 circuits available
- Accepts ALEX 4256T terminal
- Mates with ALEX 9358-N, 9362-N housings
- Mates with ALEX 9363-N, 9364-N headers

### Ordering Information

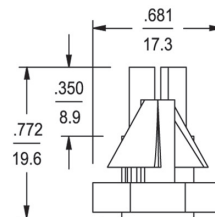
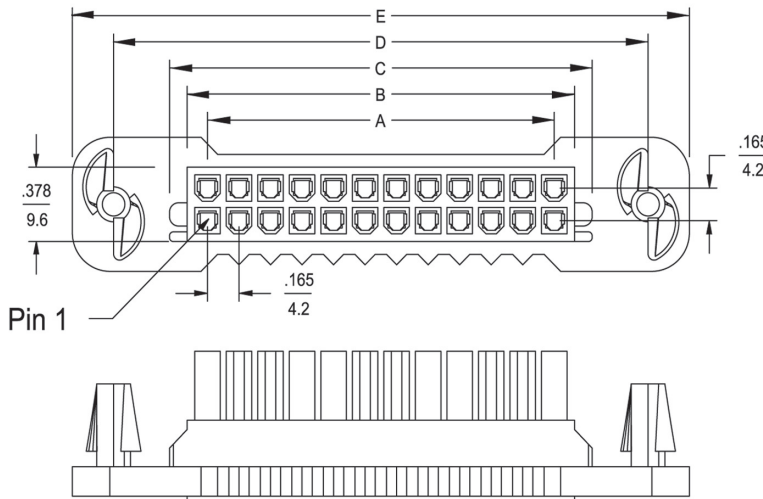
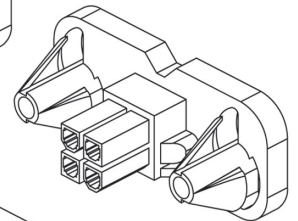
Part No.	Material
9361-xx	UL 94V-2
9361-xxV0	UL 94V-0

9361-02

inches  
mm

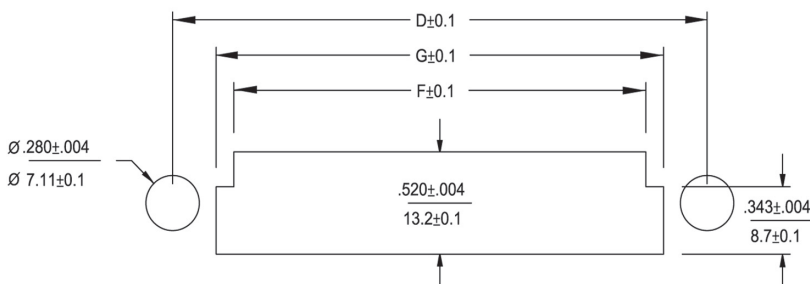


9361-04



### Dimensional Information ( mm )

Dim	Circuit	N
Dim. A	4.2 x ( N / 2 - 1 )	
Dim. B	4.2 x ( N / 2 ) + 1.2	
Dim. C	4.2 x ( N / 2 ) + 5.9	
Dim. D	4.2 x ( N / 2 ) + 20.8	
Dim. E	4.2 x ( N / 2 ) + 31.8	
Dim. F	4.2 x ( N / 2 ) + 4.5	
Dim. G	4.2 x ( N / 2 ) + 9.2	



Recommended Panel Cut-out for 1.27 $\pm$  0.3mm thickness panel

&& N = 2 ~ 24



**ALEX**

# .165"(4.2mm) Center Crimp Terminal Housing

## 9362-xx Series Crimp Terminal Housing

inches  
mm

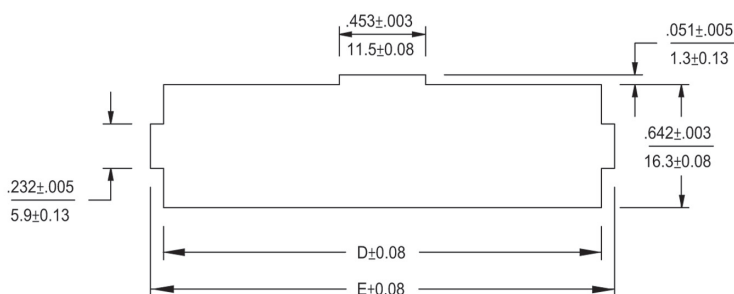
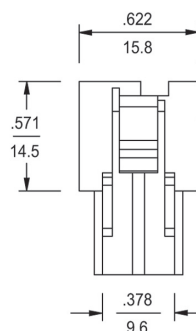
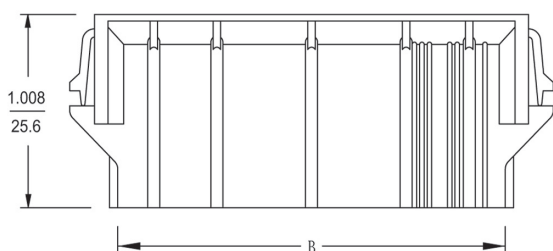
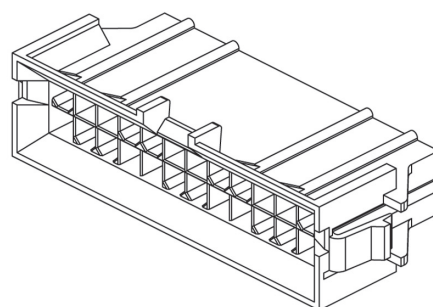
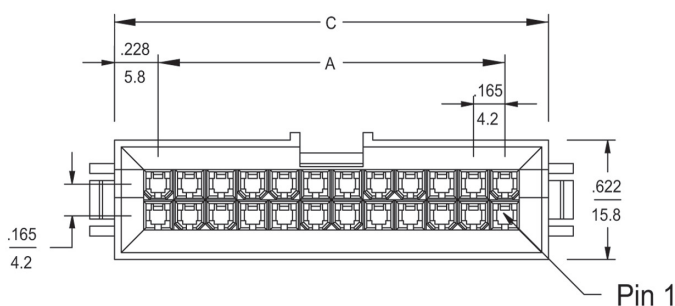
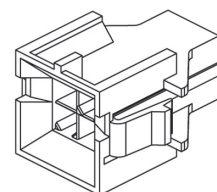
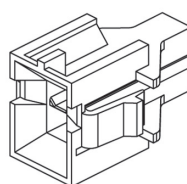
- 2 ~ 24 circuits available
- Accepts ALEX 4257T terminal
- Mates with ALEX 9357-N, 9361-N housings

### Ordering Information

Part No.	Material
9362-xx	UL 94V-2
9362-xxV0	UL 94V-0

**9362-02**

**9362-04**



**Recommended cut-out for .063"(1.6mm)  
Max. thickness P. C. board**

### Dimensional Information ( mm )

Dim \ Circuit	N
Dim. A	$4.2 \times (N / 2 - 1)$
Dim. B	$4.2 \times (N / 2) + 1.2$
Dim. C	$4.2 \times (N / 2) + 7.4$
Dim. D	$4.2 \times (N / 2) + 7.9$
Dim. E	$4.2 \times (N / 2) + 11.4$

**&& N = 2 ~ 24**





# .165"(4.2mm) Pitch Wire-to-Board Connector Vertical Header

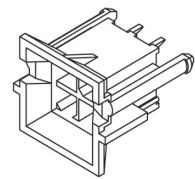
## 9363-xx Series

### Vertical Header

inches  
mm

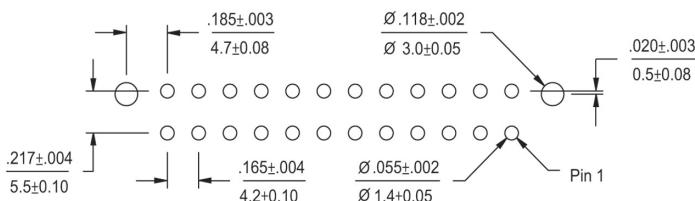
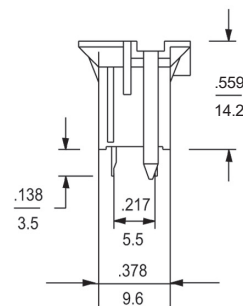
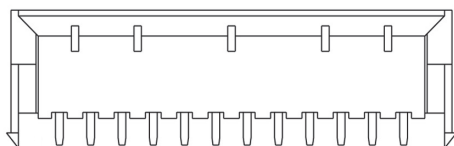
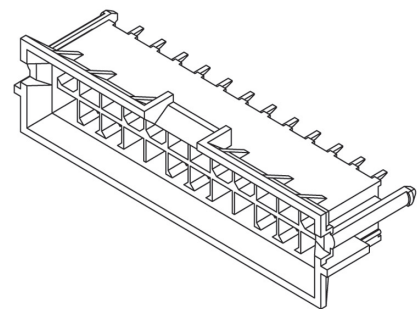
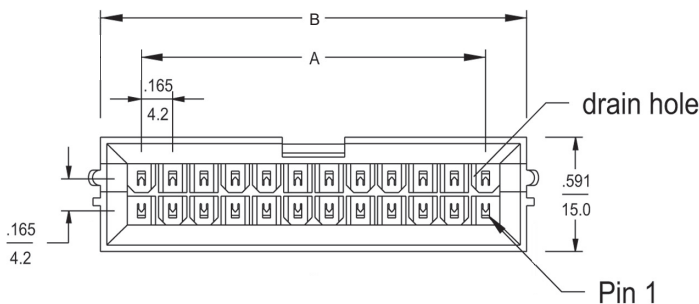
- 4 ~ 24 circuits available
- Tin-plated brass
- Mates with ALEX 9357-N, 9361-N housings

### 9363-04



### Ordering Information

Part No.	Feature	Material
9363-xxD	With	UL 94V-2
9363-xxDV0	drain holes	UL 94V-0
9363-xx	Without	UL 94V-2
9363-xxV0	drain holes	UL 94V-0



Recommended hole layout for .070"(1.78mm)  
Max. thickness P. C. board

### Dimensional Information ( mm )

Dim \ Circuit	N
Dim. A	$4.2 \times (N / 2 - 1)$
Dim. B	$4.2 \times (N / 2) + 6.6$

&& N = 4 ~ 24



# .165"(4.2mm) Right Angle Header

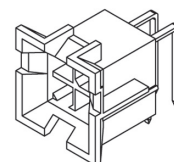
## 9364-xx Series

### Right Angle Header

inches  
mm

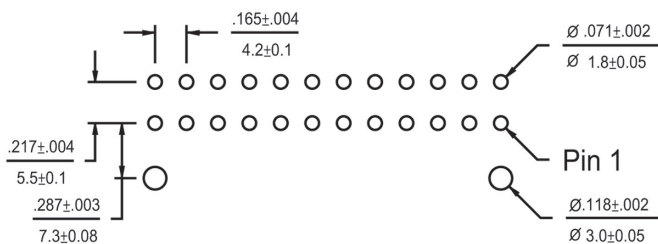
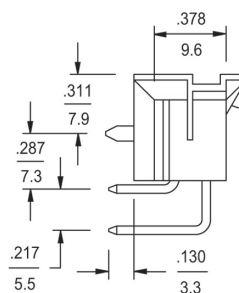
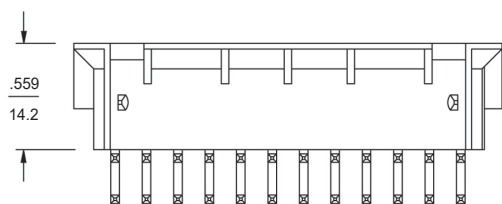
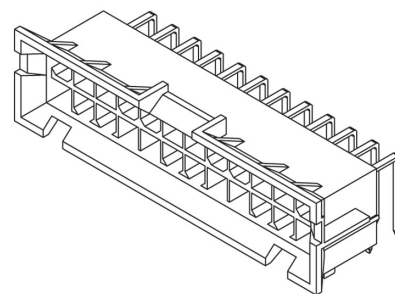
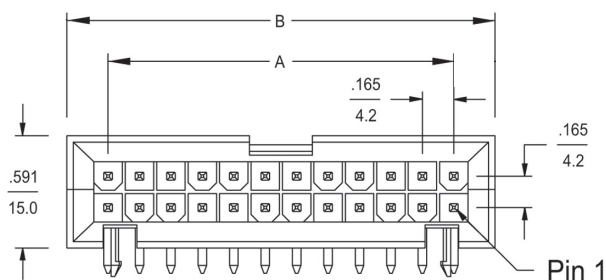
- 4 ~ 24 circuits available
- .045"(1.14mm) square pin
- Tin-plated brass
- Mates with ALEX 9357-N, 9361-N housings

9364-04



### Ordering Information

Part No.	Material
9364-xx	UL 94V-2
9364-xxV0	UL 94V-0



**P. C. board hole dimension  
Thick.: .070"(1.78mm) Max.**

### Dimensional Information ( mm )

Dim	Circuit	N
Dim. A	4.2 x ( N / 2 - 1 )	
Dim. B	4.2 x ( N / 2 ) + 6.6	

**&& N = 4 ~ 24**



# .165"(4.2mm) Vertical Header

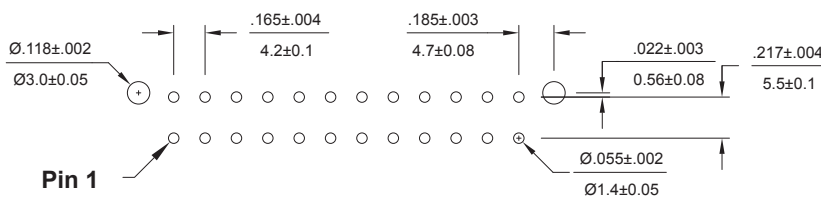
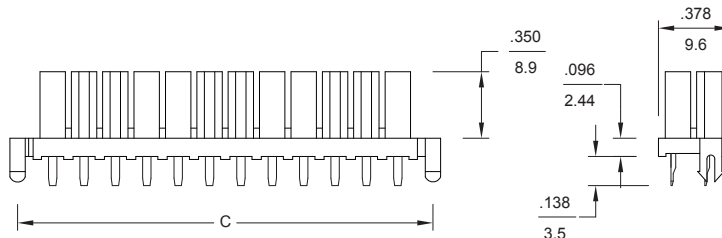
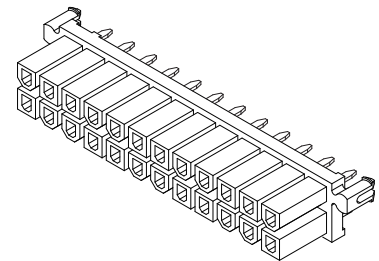
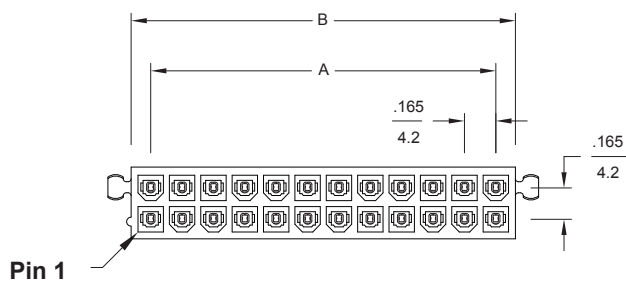
## 9365-xx Series Vertical Header

inches  
mm

- 2 ~ 24 circuits available
- Tin-plated brass pin
- Mates with ALEX 9358, 9362 housings

### Ordering Information

Part No.	Material
9365-xx	UL 94V-2
9365-xxV0	UL 94V-0



P. C. board hole dimension  
Thick.: .070"(1.78mm) Max.

### Dimensional Information ( mm )

Dim	Circuit N
Dim. A	$4.2 \times (N / 2 - 1)$
Dim. B	A + 5.4
Dim. C	A + 9.4

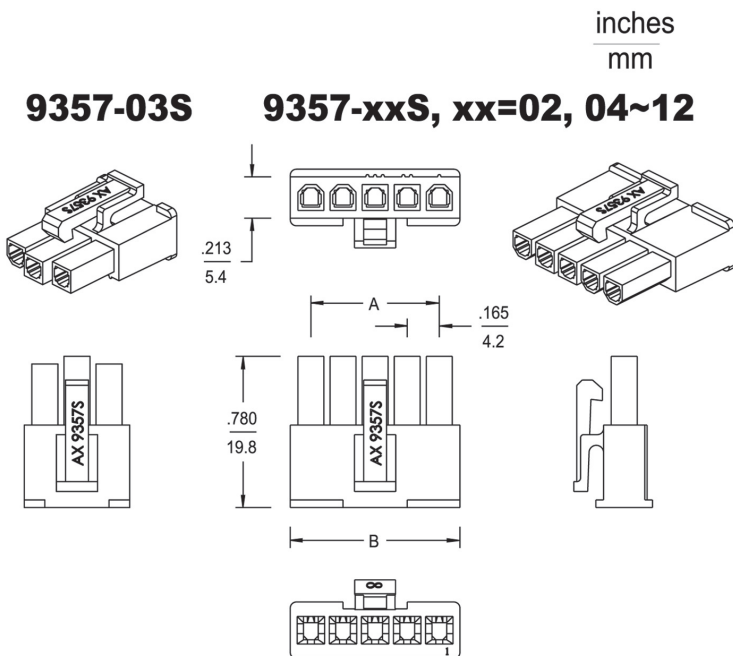
&& N = 2 ~ 24



# .165"(4.2mm) Single Row Connection System

## 9357-xxS Receptacle Housing

- 2 ~ 12 circuits available
- Material: UL 94V-2 nylon 66
- Accepts ALEX 4256T terminal
- Mates with ALEX 9358-xxS housing
- Mates with ALEX 9359-xxS, 9360-xxS headers
- UL file No.: E114003



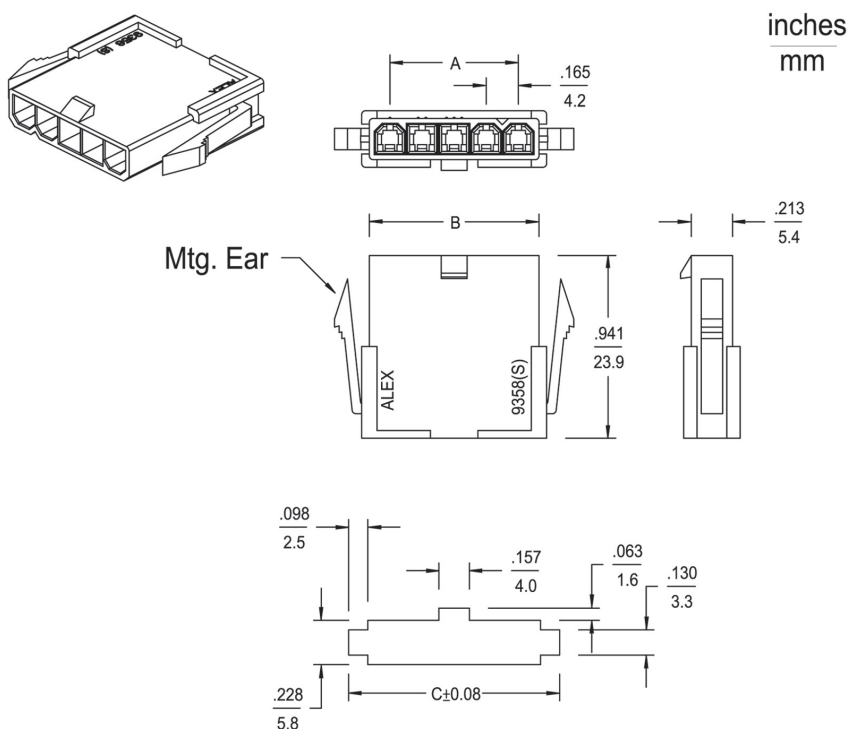
### Dimensional Information - ( mm ) 9357-xxS / 9358-xxS

Circuits	Dim. A	Dim. B	Dim. C
N	4.2 x ( N - 1 )	4.2 x N + 1.2	4.2 x N + 6.6

&& N = 2 ~ 12

## 9358-xxS Plug Housing

- 2 ~ 12 circuits available
- Material: UL 94V-2 nylon 66
- Accepts ALEX 4257T series terminals
- Mates with ALEX 9357-xxS housing
- UL file No.: E114003



### Ordering Information

Part No.	Feature
9358-xxSE	With Mtg. Ears
9358-xxS	Without Mtg. Ears

&& xx = 02 ~ 12

Panel cutout ( Max. panel thickness: .079"(2.0mm) )



# .165"(4.2mm) Single Row Connection System

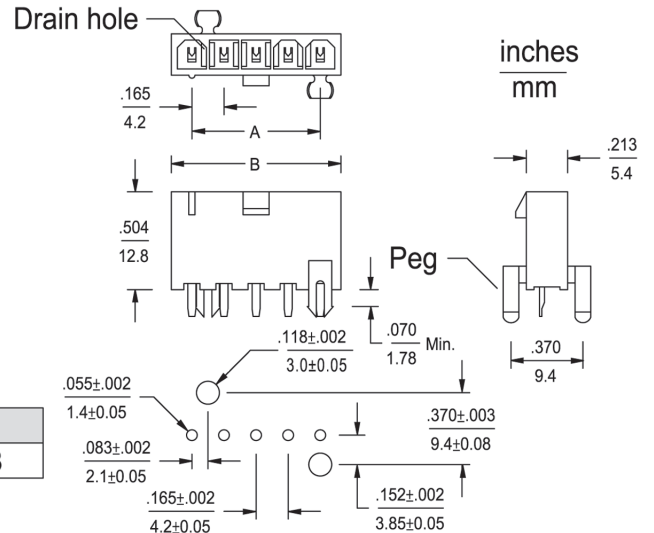
## 9359-xxS Vertical Header

- 2 ~ 12 circuits available
- Mates with ALEX 9357-xxS housing
- UL file No.: E114003

### Dimensional Information ( mm ) 9359-xxS / 9360-xxS

Circuits	Dim. A	Dim. B	Dim. C
N	4.2 x ( N - 1 )	4.2 x N + 1.2	4.2 x N + 4.8

&& N = 2 ~ 12



**P.C.B. hole dimensions**

### Ordering Information

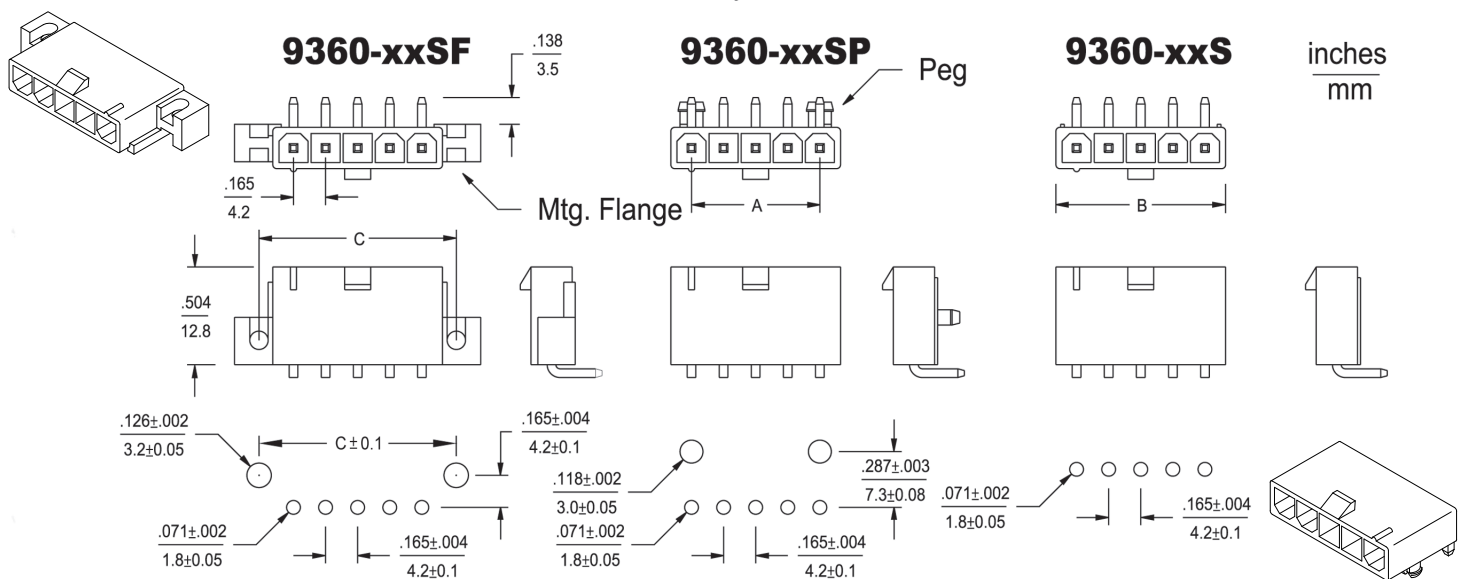
Feature	With Pegs		Without Pegs		Material
	With drain holes	Without drain holes	With drain holes	Without drain holes	
Part No.	9359-xxSDP-46	9359-xxSP-46	9359-xxSD-46	9359-xxS-46	Nylon 46

&& xx = 03~12(With Pegs), 02~12(Without Pegs)

## 9360-xxS Right Angle Header

### Right Angle Header

- 2 ~ 12 circuits available
- .045"(1.14mm) square wire pin
- Material: UL 94V-2 nylon 66
- Positive housing locks
- Mates with ALEX 9357-xxS housing
- UL file No.: E114003



**P.C.B. hole dimensions**

### Ordering Information

Feature	With Mtg. Flanges	With Mtg. Pegs	Without Mtg. Flanges & Mtg. Pegs
Part No.	9360-xxSF	9360-xxSP	9360-xxS

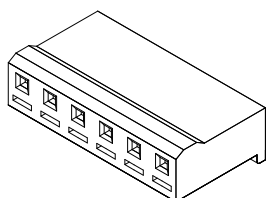
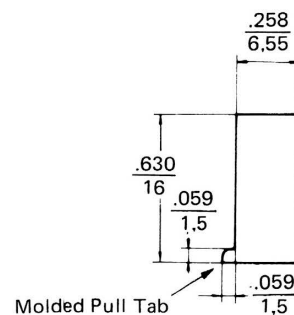
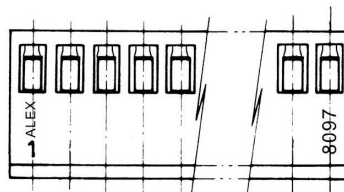
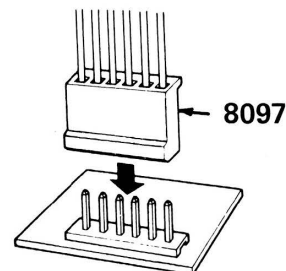
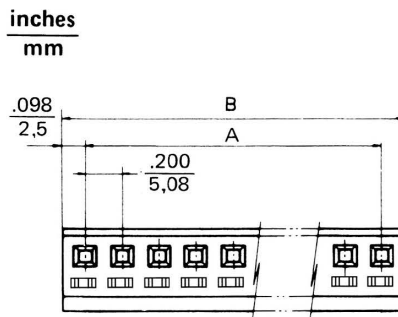


# .200" (5.08mm) Center Crimp Terminal Housing

## 8097-N Series Crimp Terminal Housing

### Features/Dimensions

- 2-12 Circuits
- UL 94V-2 nylon 66
- Molded pull tab
- With locking ramp
- Molded in locking arm for terminal
- Accepts Alex spox terminal 94T/95T
- Mates with Alex 8079, 8080, 8081, 8082 series headers
- UL file No.: E114003



### Dimensional Information - in. (mm)

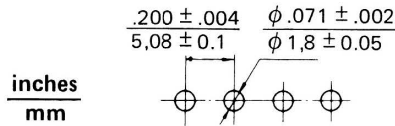
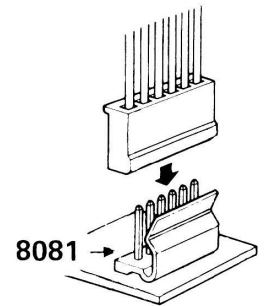
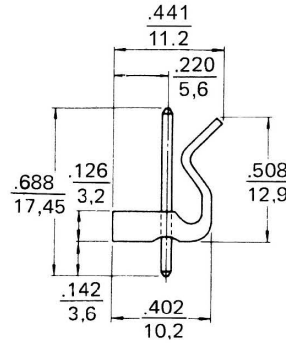
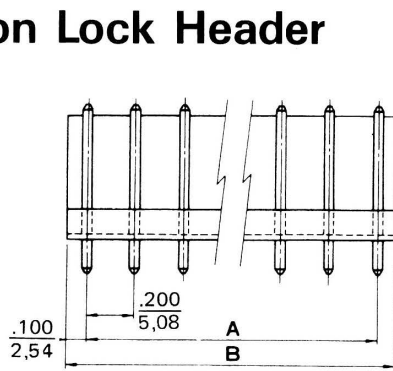
Circuits	Part No.	Dim. A	Dim. B	Circuits	Part No.	Dim. A	Dim. B
2	8097-02	.200 ( 5,08)	.407 (10.33)	8	8097-08	1.400 (35,56)	1.607 (40.81)
3	8097-03	.400 (10,16)	.607 (15.41)	9	8097-09	1.600 (40,64)	1.807 (45.89)
4	8097-04	.600 (15,24)	.807 (20.49)	10	8097-10	1.800 (45,72)	2.007 (50.97)
5	8097-05	.800 (20,32)	1.007 (25.57)	11	8097-11	2.000 (50,80)	2.207 (56.05)
6	8097-06	1.000 (25,40)	1.207 (30.65)	12	8097-12	2.200 (55,88)	2.407 (61.13)
7	8097-07	1.200 (30,48)	1.407 (35.73)				



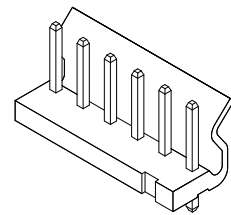
# .200" (5.08mm) Center Header

## 8081-N Series Straight Pin Friction Lock Header

- 2-12 circuits
- UL 94V-2 nylon 66
- .045" (1,14mm) square wire pins
- Mates with 8097 series housing
- Tin plated brass pins. Plating options available
- UL file No.: E114003



P.C. Board Hole Dimensions



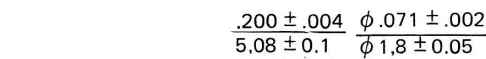
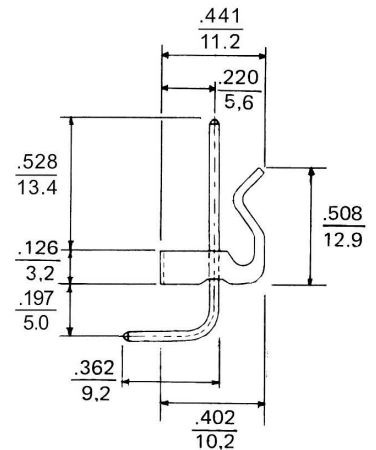
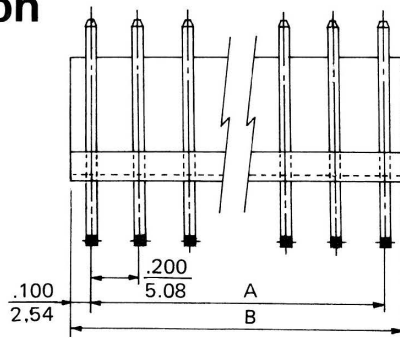
### Dimensional Information - in. (mm)

Circuits	Part No.	Dim. A	Dim. B	Circuits	Part No.	Dim. A	Dim. B
2	8081-02	.200 ( 5,08)	.400 (10,16)	8	8081-08	1.400 (35,56)	1.600 (40,64)
3	8081-03	.400 (10,16)	.600 (15,24)	9	8081-09	1.600 (40,64)	1.800 (45,72)
4	8081-04	.600 (15,24)	.800 (20,32)	10	8081-10	1.800 (45,72)	2.000 (50,80)
5	8081-05	.800 (20,32)	1.000 (25,40)	11	8081-11	2.000 (50,80)	2.200 (55,88)
6	8081-06	1.000 (25,40)	1.200 (30,48)	12	8081-12	2.200 (55,88)	2.400 (60,96)
7	8081-07	1.200 (30,48)	1.400 (35,56)				

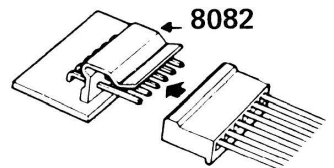
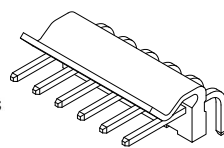
## 8082 -N Series Right Angle Pin Friction Lock Header

### Features/Dimensions

- Mates with 8097 series housing
- UL 94V-2 nylon 66
- 2-12 Circuits
- .045" (1,14mm) square pins
- Tin plated brass pins. Plating options available
- UL file No.: E114003



P.C. Board Hole Dimensions



### Dimensional Information - in. (mm)

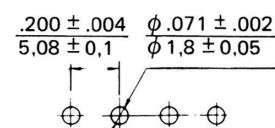
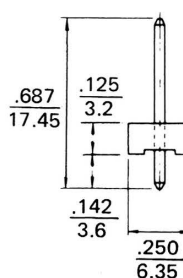
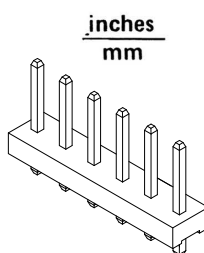
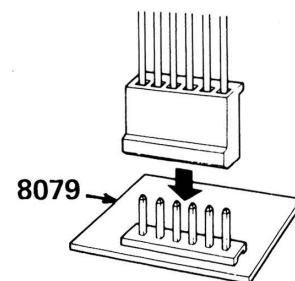
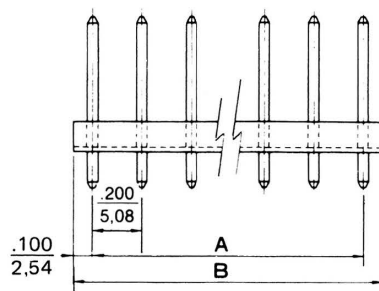
Circuits	Part No.	Dim. A	Dim. B	Circuit	Part No.	Dim. A	Dim. B
2	8082-02	.200 ( 5,08)	.400 (10,16)	8	8082-08	1.400 (35,56)	1.600 (40,64)
3	8082-03	.400 (10,16)	.600 (15,24)	9	8082-09	1.600 (40,64)	1.800 (45,72)
4	8082-04	.600 (15,24)	.800 (20,32)	10	8082-10	1.800 (45,72)	2.000 (50,80)
5	8082-05	.800 (20,32)	1.000 (25,40)	11	8082-11	2.000 (50,80)	2.200 (55,88)
6	8082-06	1.000 (25,40)	1.200 (30,48)	12	8082-12	2.200 (55,88)	2.400 (60,96)
7	8082-07	1.200 (30,48)	1.400 (35,56)				

# .200" (5.08mm) Center Header

## 8079-N Series Straight Pin Flat Header

### Features/Dimensions

- 2-12 Circuits
- UL 94V-2 nylon 66
- .045" (1,14mm) straight square wire pin
- Mates with 8097 series housing
- Tin plated brass pins. Plating options available
- UL file No.: E114003



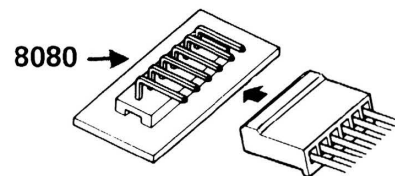
P.C. Board Hole Dimensions

### Dimensional Information - in. (mm)

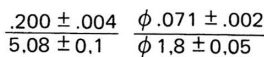
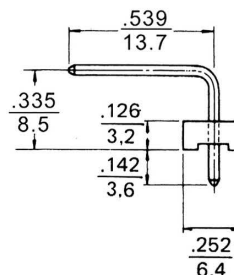
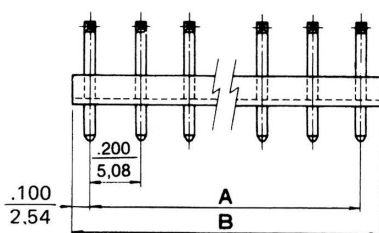
Circuits	Part No.	Dim. A	Dim. B	Circuits	Part No.	Dim. A	Dim. B
2	8079-02	.200 ( 5,08)	.400 (10,16)	8	8079-08	1.400 (35,56)	1.600 (40,64)
3	8079-03	.400 (10,16)	.600 (15,24)	9	8079-09	1.600 (40,64)	1.800 (45,72)
4	8079-04	.600 (15,24)	.800 (20,32)	10	8079-10	1.800 (45,72)	2.000 (50,80)
5	8079-05	.800 (20,32)	1.000 (25,40)	11	8079-11	2.000 (50,80)	2.200 (55,88)
6	8079-06	1.000 (25,40)	1.200 (30,48)	12	8079-12	2.200 (55,88)	2.400 (60,96)
7	8079-07	1.200 (30,48)	1.400 (35,56)				

## 8080-N Series Right Angle Pin Header

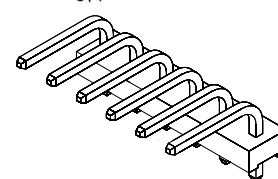
- 2-12 Circuits
- UL 94V-2 nylon 66
- .045" (1,14mm) square wire pins
- Mates with 8097 series housing
- Tin plated brass pins. Plating options available
- UL file No.: E114003



inches  
mm



P.C. Board Hole Dimensions



### Dimensional Information - in. (mm)

Circuits	Part No.	Dim. A	Dim. B	Circuits	Part No.	Dim. A	Dim. B
2	8080-02	.200 ( 5,08)	.400 (10,16)	8	8080-08	1.400 (35,56)	1.600 (40,64)
3	8080-03	.400 (10,16)	.600 (15,24)	9	8080-09	1.600 (40,64)	1.800 (45,72)
4	8080-04	.600 (15,24)	.800 (20,32)	10	8080-10	1.800 (45,72)	2.000 (50,80)
5	8080-05	.800 (20,32)	1.000 (25,40)	11	8080-11	2.000 (50,80)	2.200 (55,88)
6	8080-06	1.000 (25,40)	1.200 (30,48)	12	8080-12	2.200 (55,88)	2.400 (60,96)
7	8080-07	1.200 (30,48)	1.400 (35,56)				





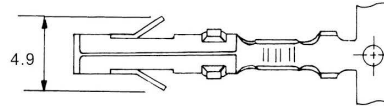
# Disk Drive Power Connection System

## 61T Series Crimp Terminal

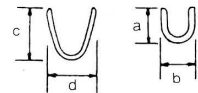
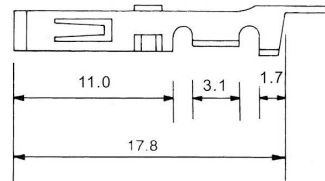
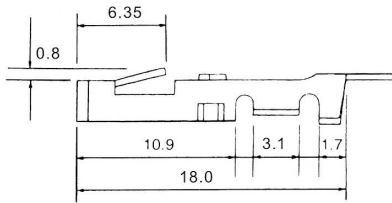
inches  
mm

- For use with AWG #16~#22 wire
- Used in Alex 5050-03, 5050-04 housings
- Tin plated brass or phosphor bronze

### Two lance



### One lance



INSULATION CRIMP AREA    CONDUCTOR CRIMP AREA

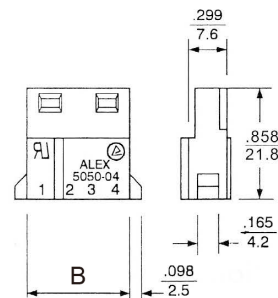
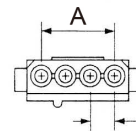
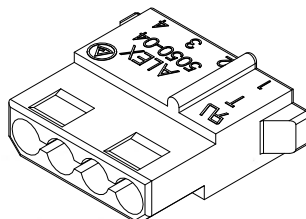
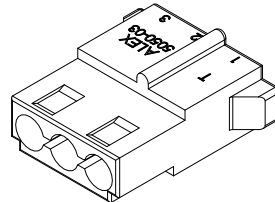
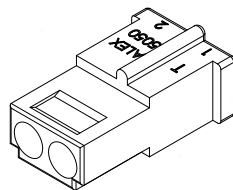
### Dimensions & Ordering Information:

Part No	Dimension (mm)				Wire		Terminal			Note	Q'ty/Reel	
	a	b	c	d	Accommodation (# AWG)	Insulation (O.D. MAX)	Thickness (mm)	Material	Finish			
61T-1224	2.3	2.5	3.3	4.2	#22 ~ #18	φ 2.2mm	0.3	Brass	Tin-plated	One lance	7,000	
61T-5224	2.4	2.3	3.4	4.0				φ 2.5mm				Phosphor bronze
61T-D224										3.3		3.4
61T-D524	Phosphor bronze											

## 5050-N Series Crimp Terminal Housing

inches  
mm

- 2~4 circuits available
- UL 94V-2 nylon 66, nature color
- Accepts ALEX 61T terminal
- Mates with ALEX 6060-N housing
- Mates with ALEX 9090-xxx header
- UL file No.: E114003
- TUV file No.: R9271078



### Dimensional Information -in (mm)

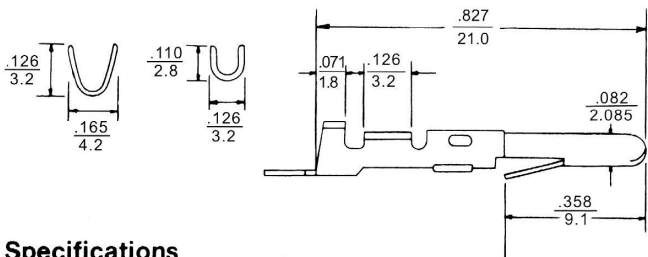
Circuits	Dim. A	Dim. B
2	0.200 ( 5.08)	0.427 (10.84)
3	0.400 (10.16)	0.627 (15.92)
4	0.600 (15.24)	0.827 (21.00)



# Disk Drive Power Connection System

## 62T Crimp Terminal

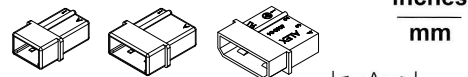
- For use with AWG # 18~#22 wire
- Used in Alex 6060 housing
- Tin plated brass



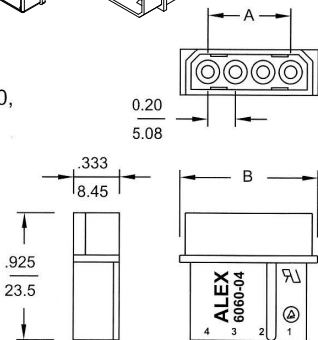
### Specifications

Voltage Rating: 250V AC  
 Current Rating: 7 amps (with 18 AWG wire)  
 Dielectric Withstanding Voltage: 1500 V AC for 60 seconds  
 Insulation Resistance: Greater than 500 K megohms  
 Temperature Range: -40° C to 105° C

## 6060-xx Series Housing



- 2 ~ 4 circuits available
- UL 94V-2 nylon, natural color
- Mates with 870156 IDT or 5050, 5050-xxW crimp connectors
- Current rating 10A Max.
- Voltage rating 250V AC
- Accepts ALEX 62T terminal
- UL File NO.: E114003
- TUV File No.: R9271078



### Dimensional Information - in ( mm )

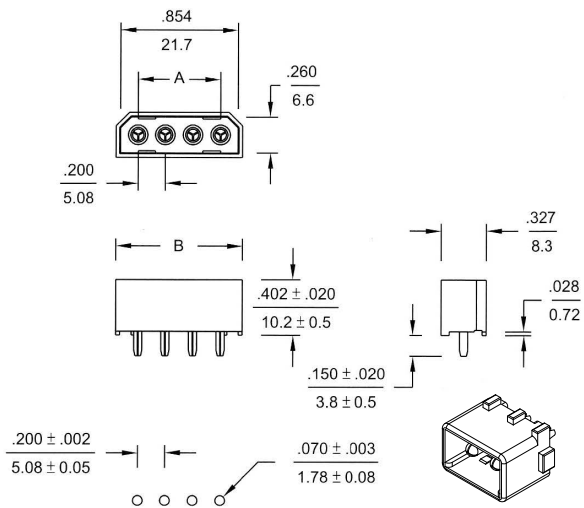
Circuits	Dim. A	Dim. B
2	0.200 ( 5.08)	0.600 (15.24)
3	0.400 (10.16)	0.800 (20.32)
4	0.600 (15.24)	1.000 (25.40)

# Vertical Mount and Right Angle Header

- 2 ~ 4 circuits available
- Mates with 870156 or 5050-xx crimp connectors

- Current rating: 10A vertical, 6.5A right angle
- Voltage rating: 250V AC
- UL File NO.: E114003

## 9090-xxV

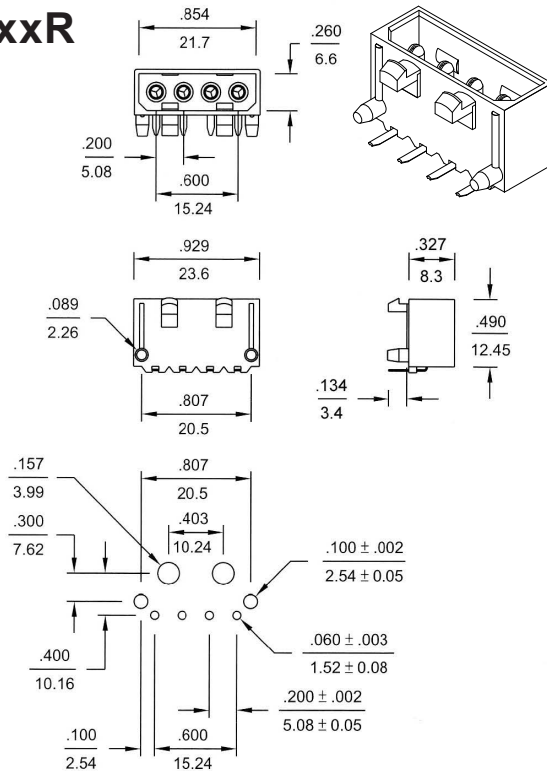


### P.C.B. hole dimensions

### Dimensional Information - in ( mm )

Circuits	Dim. A	Dim. B
2	0.200 ( 5.08)	0.515 (13.08)
3	0.400 (10.16)	0.715 (18.16)
4	0.600 (15.24)	0.921 (23.40)

## 9090-xxR



### P.C.B. hole dimensions



# .200"(5.08mm) Vertical Header

## Specifications:

- Current rating: 7A Max.
- Voltage rating: 250V AC, DC
- Dielectric withstanding voltage: 1500V AC/minute
- Ambient temperature range: -40 °C ~ 105 °C
- UL file No. : E114003

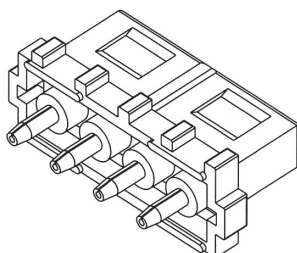
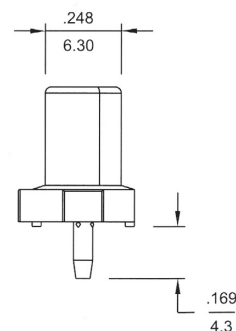
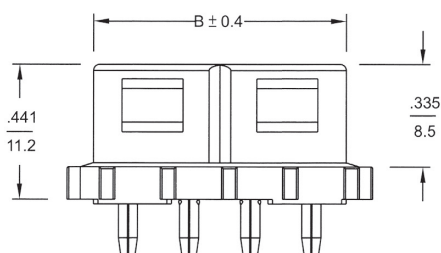
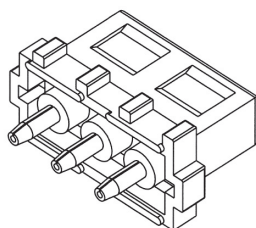
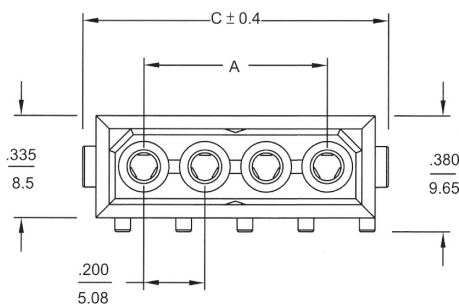
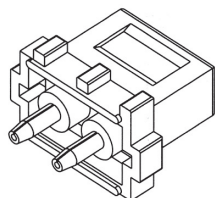
## 5050-xxW Series Vertical Header

inches  
mm

- 2 ~ 4 circuits available
- Plastic material: UL 94V-2 nylon
- Pin material: Tin-plated phosphor bronze
- Mates with ALEX 6060-N housing
- Mates with ALEX 9090 headers

### Dimensional Information ( mm )

Circuits	Dim. A	Dim. B	Dim. C
2	0.200 ( 5.08)	0.427 (10.84)	0.600 (15.24)
3	0.400 (10.16)	0.627 (15.92)	0.800 (20.32)
4	0.600 (15.24)	0.827 (21.00)	1.000 (25.40)



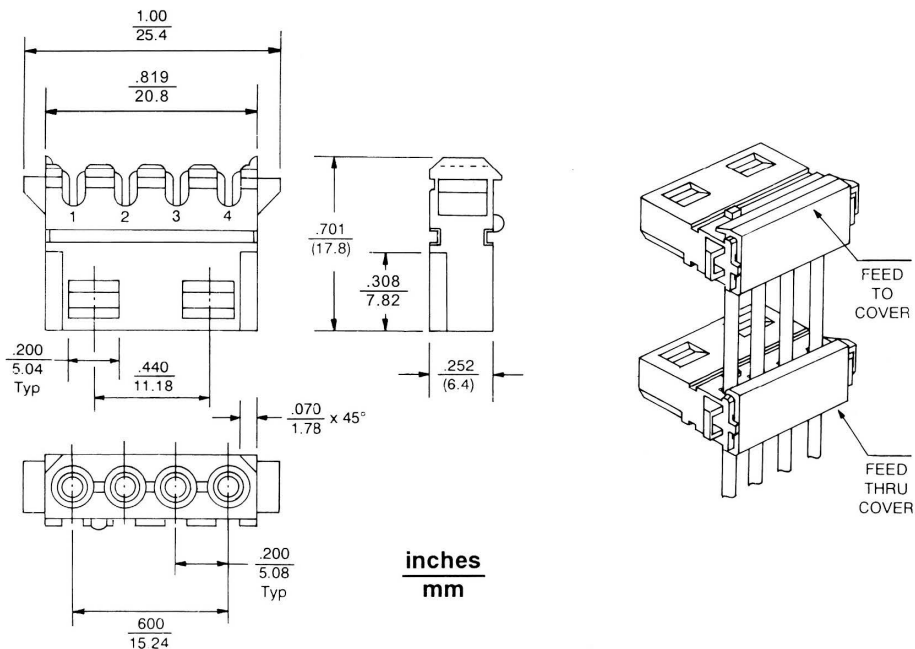
### P. C. board hole dimensions



# Disk Drive Power Connection System

## 870156 Series IDC Connector

- 4 circuits
- Housing: UL 94V-2 nylon
- Terminal: Tin-plated phosphor bronze (ALEX 63T)
- Applicable wires: AWG #18 ~ #22
- Insulation O.D.: .095" (2.41mm) max.
- Mates with ALEX 6060-04 housing
- Mates with ALEX 9090-04V, 9090-04R series headers
- Mates with ALEX 156C series covers
- UL File No.: E114003
- TUV File No.: R9271078



### Ordering Information

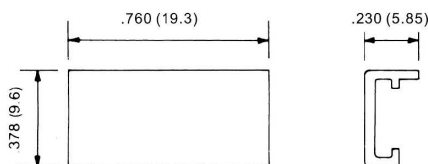
Part No.	Color	Wire Type	Accept Terminal
870156-N-S	Natural	18 AWG stranded, 20 AWG solid and fused	63T-0543AS
870156-N-L			63T-0543AL
870156-Y-S	Yellow	22 AWG solid, fused stranded and stranded	63T-0543BS
870156-Y-L			63T-0543BL

## 156C Series

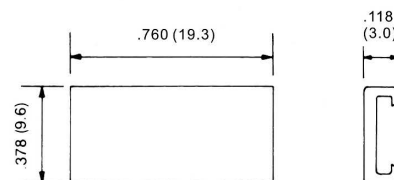
### Cover

- Material: 94V-2 nylon
- Standard color: natural
- Mates with 870156 IDT connector

#### 156C -1:



#### 156C:



inches  
mm

### Information 156C Covers

Part No.	Cover Type
156C-1	Feed to
156C	Feed thru



# .224"(5.7mm) Dual Row Wire-to-Board Connector

## Specification:

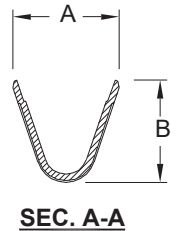
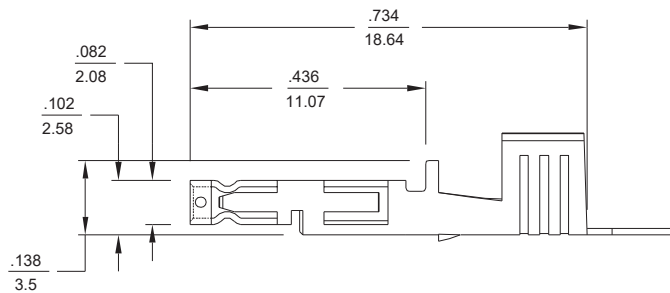
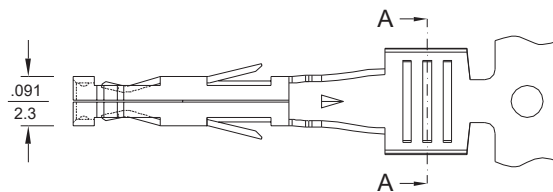
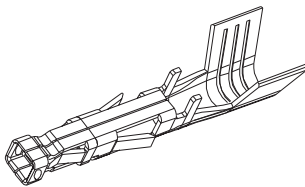
- Current rating: With tinned AWG copper wire

Wire size		N			
AWG	Max. Ins. Dia.	2	4	6	8~12
#12 · 4.0mm <sup>2</sup>	.162 (4.11)	23A	20A	18A	16A
#14 · 2.5mm <sup>2</sup>	.148 (3.75)	21A	17A	15A	13A
#16 · 1.5mm <sup>2</sup>	.125 (3.18)	17A	15A	13A	12A

- Voltage rating: 600V AC (RMS) or 600V DC Max.
- Contact resistance: 10mΩ Max.
- Insulation resistance: 1000MΩ Min.
- Dielectric withstanding voltage: 2200V AC/minute
- Ambient temperature range: -40°C ~ 105°C
- UL file No.: E114003

## 5701T Series Crimp Terminal

- Material: High conductivity copper alloy
- Finished: Tin-plated over nickel
- Used in ALEX 5702-N housing
- Wire range: #12 ~ #16 AWG



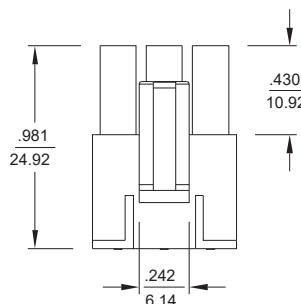
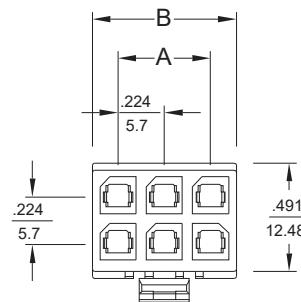
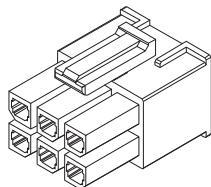
### Ordering Information - in ( mm )

Part No.	Wire range	Dim. A	Dim. B
5701T1	#14 ~ #16	0.134 ( 3.4 )	0.140 ( 3.55 )
5701T2	#12	0.197 ( 5.0 )	0.189 ( 4.8 )

inches  
mm

## 5702-N Series Crimp Terminal Housing

- 2 ~ 12 circuits available
- Material: UL 94V-2 nylon 66
- Accepts ALEX 5701T terminal
- Mates with ALEX 5703-N, 5704-N headers
- Color: Black



inches  
mm

### Dimensional Information - ( mm )

Circuits	Dim. A	Dim. B
2	N / A	8.35
N	2.85 x N - 5.7	2.85 x N + 0.65

&& N = 4 ~ 12



# .224" (5.7mm) Crimp Terminal Housing

## 5703-N Series Vertical Header

- 2 ~ 12 circuits available
- Material: LCP, Black color
- Contact: High conductivity copper
- .043" (1.08mm) square pin
- Mates with ALEX 5702-N housing

### Dimensional Information - ( mm )

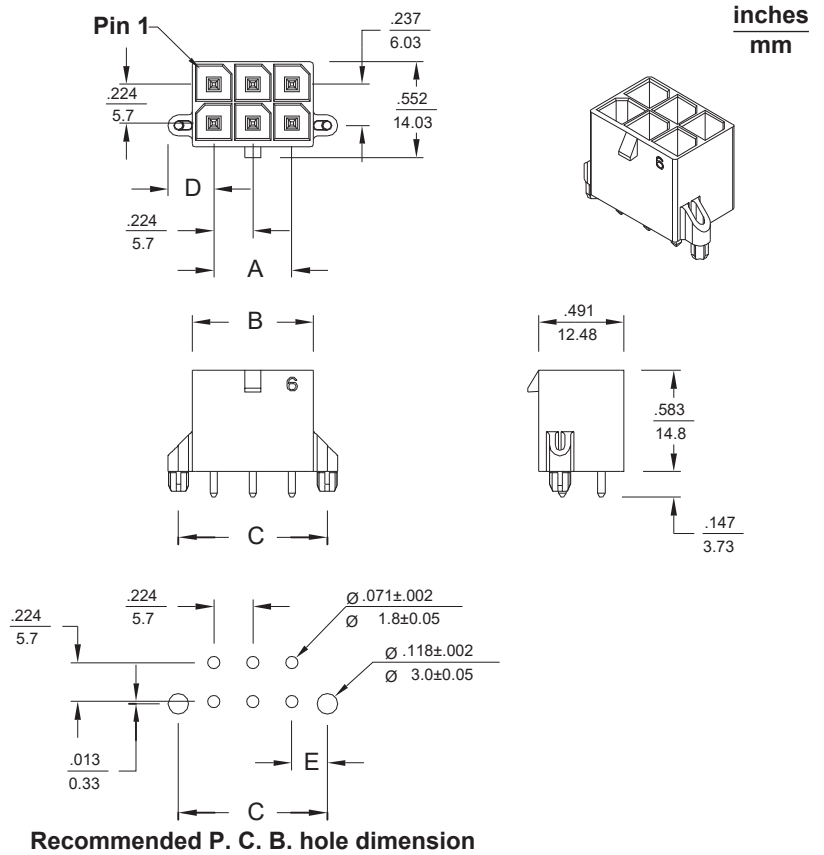
Circuits	2	N
Dim. A	N / A	2.85 x N - 5.70
Dim. B	8.35	2.85 x N + 0.65
Dim. C	12.34	2.85 x N + 4.64
Dim. D	7.70	6.70
Dim. E	6.17	5.17

&& N= 4 ~ 12

### Ordering Information

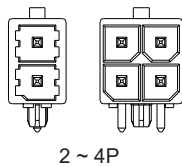
Part No.	Finished
5703-xx	Tin-plated over nickel
5703-xx-xGF	Gold-flash xu" over nickel

&& xx= 4 ~ 12



## 5704-xx Series Right Angle Header

- 2 ~ 12 circuits available
- Material: LCP, Black color
- Contact: High conductivity copper
- .043" (1.08mm) square pin
- Mates with ALEX 5702-N housing



### Dimensional Information - ( mm )

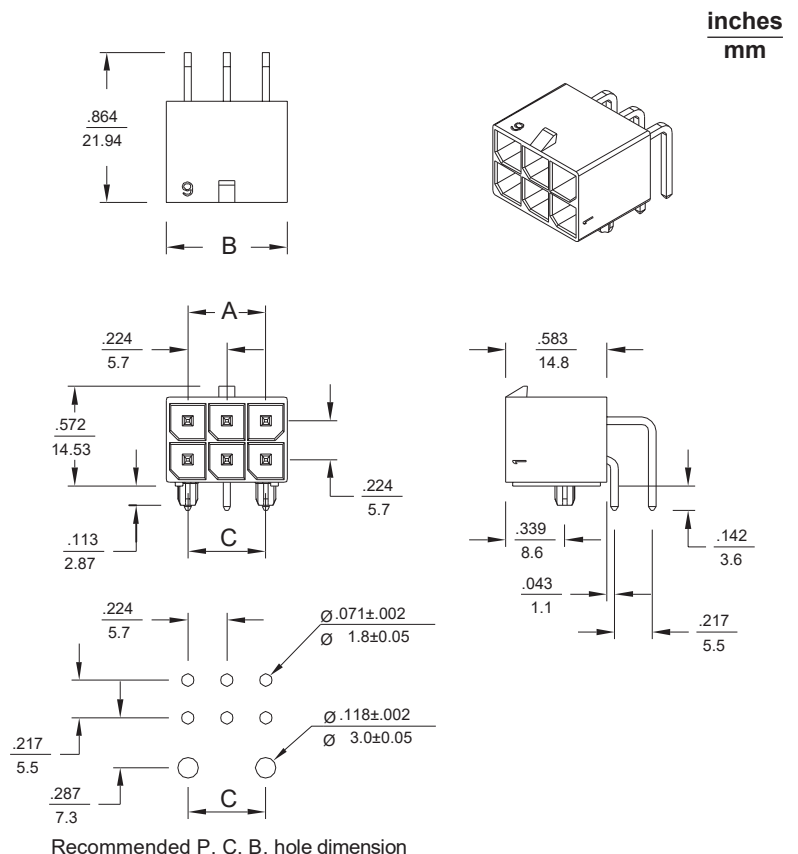
Circuits	2	4	N
Dim. A	N / A		2.85 x N - 5.70
Dim. B	8.35		2.85 x N + 0.65
Dim. C	N / A		2.85 x N - 5.70

&& N= 6 ~ 12

### Ordering Information

Part No.	Finished
5703-xx	Tin-plated over nickel
5703-xx-xGF	Gold-flash xu" over nickel

&& xx= 6 ~ 12

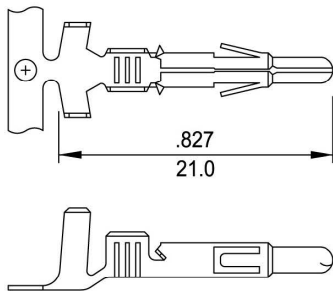




# .25"(6.35mm) Pitch Power Connectors

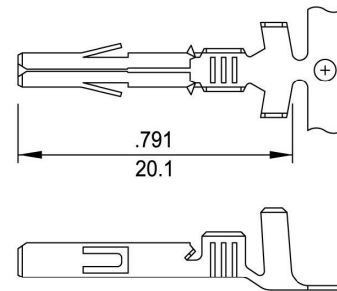
## 70T Male Crimp Terminal

70T-x214: Used in ALEX 9635-N series housing  
( 1 ~ 5 circuits )

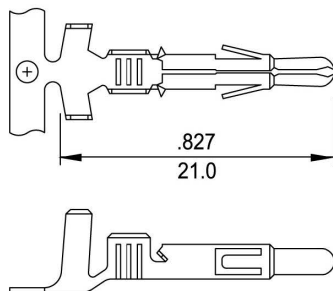


## 71T Female Crimp Terminal

71T-xx24: Used in ALEX 9635-N series housing  
( 1 ~ 15 circuits )



70T-x2L4: Used in ALEX 9635-N series housing  
( 6 ~ 15 circuits )



### Ordering Information

Part No.	Material	Finished	Thickness	Wire range
70T-S214	Brass	Tin-plated	0.3mm	#18 ~ #22
70T-5214				#16 ~ #20
70T-D214				#12 ~ #14
70T-S2L4				#18 ~ #22
70T-52L4				#16 ~ #20
70T-D2L4				#12 ~ #14
71T-S224				Phosphor bronze
71T-5224	#16 ~ #20			
71T-D224	#12 ~ #14			
71T-S524	#18 ~ #22			
71T-5524	#16 ~ #20			
71T-D524	#12 ~ #14			

## 9635-N Series

### Features / Dimensions:

- 1 ~ 10, 12, 15 circuits available
- UL 94V-2 nylon 66
- Accepts ALEX 70T, 71T terminals

- Standard color: Nature
- Integrally molded polarization
- Friction lock
- UL file No.: E114003

Circuits	Dimensional Information			
	Plug		Receptacle	
1	9635-01P	9635-01R		
			inches mm	inches mm



# .250"(6.35mm) Pitch Power Connectors

Circuits	Dimensional Information	
	Plug	Receptacle
2	<p><b>9635-02P</b></p>	<p><b>9635-02R</b></p>
	<p><b>9635-03P</b></p>	<p><b>9635-03R</b></p>
4	<p><b>9635-04P</b></p>	<p><b>9635-04R</b></p>





# .250" (6.35mm) Pitch Power Connectors

Circuits	Dimensional Information			
	Plug		Receptacle	
5	<b>9635-05P</b>		<b>9635-05R</b>	
6	<b>9635-06P-S</b>		<b>9635-06R-S</b>	
6	<b>9635-06P</b>		<b>9635-06R</b>	



# .250"(6.35mm) Pitch Power Connectors

Circuits	Dimensional Information			
	Plug		Receptacle	
7	<b>9635-07P</b>		<b>9635-07R</b>	
	<b>9635-08P</b>		<b>9635-08R</b>	



# .250"(6.35mm) Pitch Power Connectors

Circuits	Dimensional Information	
	Plug	Receptacle
9	<p><b>9635-09P-S</b></p>	<p><b>9635-09R-S</b></p>
	<p><b>9635-09P</b></p>	<p><b>9635-09R</b></p>



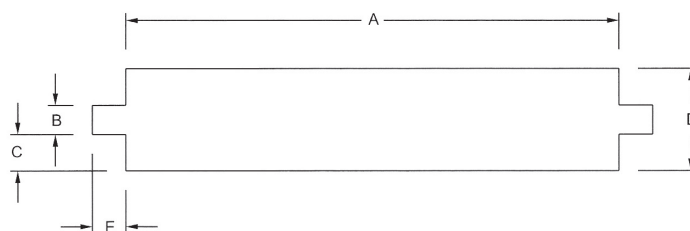
# .250"(6.35mm) Pitch Power Connectors

Circuits	Dimensional Information	
	Plug	Receptacle
10	<p><b>9635-10P</b></p>	<p><b>9635-10R</b></p>
	<p><b>9635-12P</b></p>	<p><b>9635-12R</b></p>



# .250" (6.35mm) Pitch Power Connectors

Circuits	Dimensional Information	
	Plug	Receptacle
15	<p><b>9635-15P</b></p>	<p><b>9635-15R</b></p>



**Recommended Panel Dim.**

**Dimensional Information - in ( mm )**

Circuits	Part No.	Dim. A		Dim. C	Dim. D	Dim. E
2	9635-02P	0.565 (14.35)	0.340 ( 8.64)	0.095 ( 2.41)	0.530 (13.46)	0.175 ( 4.45)
3	9635-03P	0.815 (20.70)				
4	9635-04P	1.065 (27.05)				
5	9635-05P	1.315 (33.40)				
6	9635-06P-S	1.567 (39.80)				
6	9635-06P	0.565 (14.35)	0.480 (12.20)	0.275 ( 6.98)	1.030 (26.16)	0.175 ( 4.45)
7	9635-07P	1.817 (46.15)	0.154 ( 3.90)	0.189 ( 4.80)	0.531 (13.50)	0.126 ( 3.20)
8	9635-08P	2.067 (52.50)				
9	9635-09P-S	2.317 (58.85)	0.480 (12.20)	0.275 ( 6.98)	1.030 (26.16)	0.175 ( 4.45)
9	9635-09P	0.815 (20.70)				
10	9635-10P	2.567 (65.20)				
12	9635-12P	1.065 (27.05)	0.154 ( 3.90)	0.189 ( 4.80)	0.531 (13.50)	0.126 ( 3.20)
15	9635-15P	1.315 (33.40)				

&& Recommended panel thickness: .03" ~ .09" (0.762 ~ 2.286mm)  
 Panel must be punched so that housing enters panel in same direction as the punch.



# .250" (6.35mm) Pitch Power Connectors

## 9635-xxW Series Vertical Header

inches  
mm

- 2 ~ 15 circuits available
- Material: UL 94V-2 nylon 66
- Mates with ALEX 9635-xxR housing
- Standard color: Nature
- UL file No.: E114003

Circuits	Dimensional Information	
	With Male Pins	With Female Pins
2	<p><b>9635-02WP</b> <b>9635-02W (Without Polarizing feature)</b></p>	<p><b>9635-02WFP</b> <b>9635-02WF (Without Polarizing feature)</b></p>
	<p><b>9635-03WP</b> <b>9635-03W (Without Polarizing feature)</b></p>	<p><b>9635-03WFP</b> <b>9635-03WF (Without Polarizing feature)</b></p>
4	<p><b>9635-04WP</b> <b>9635-04W (Without Polarizing feature)</b></p>	<p><b>9635-04WFP</b> <b>9635-04WF (Without Polarizing feature)</b></p>



# .250"(6.35mm) Pitch Power Connectors

Circuits	Dimensional Information	
	With Male Pins	With Female Pins
5	<p><b>9635-05WP</b> 9635-05W (Without Polarizing feature)</p>	<p><b>9635-05WFP</b> 9635-05WF (Without Polarizing feature)</p>
	<p><b>9635-06WP-S</b> 9635-06W-S (Without Polarizing feature)</p>	<p><b>9635-06WFP-S</b> 9635-06WF-S (Without Polarizing feature)</p>
6	<p><b>9635-06WP</b> 9635-06W (Without Polarizing feature)</p>	<p><b>9635-06WFP</b> 9635-06WF (Without Polarizing feature)</p>



# .250"(6.35mm) Pitch Power Connectors

Circuits	Dimensional Information	
	With Male Pins	With Female Pins
7	<p><b>9635-07WP</b> 9635-07W (Without Polarizing feature)</p>	<p><b>9635-07WFP</b> 9635-07WF (Without Polarizing feature)</p>
	<p><b>9635-08WP</b> 9635-08W (Without Polarizing feature)</p>	<p><b>9635-08WFP</b> 9635-08WF (Without Polarizing feature)</p>





# .250"(6.35mm) Pitch Power Connectors

Circuits	Dimensional Information	
	With Male Pins	With Female Pins
9	<p><b>9635-09WP-S</b> 9635-09W-S (Without Polarizing feature)</p>	<p><b>9635-09WFP-S</b> 9635-09WF-S (Without Polarizing feature)</p>
	<p><b>9635-09WP</b> 9635-09W (Without Polarizing feature)</p>	<p><b>9635-09WFP</b> 9635-09WF (Without Polarizing feature)</p>



# .250"(6.35mm) Pitch Power Connectors

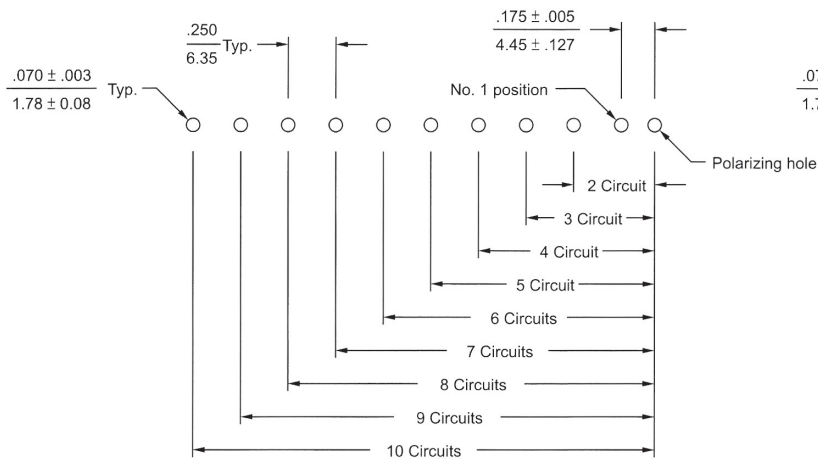
Circuits	Dimensional Information	
	With Male Pins	With Female Pins
10	<p><b>9635-10WP</b> 9635-10W (Without Polarizing feature)</p>	<p><b>9635-10WFP</b> 9635-10WF (Without Polarizing feature)</p>
	<p><b>9635-12WP</b> 9635-12W (Without Polarizing feature)</p>	<p><b>9635-12WFP</b> 9635-12WF (Without Polarizing feature)</p>



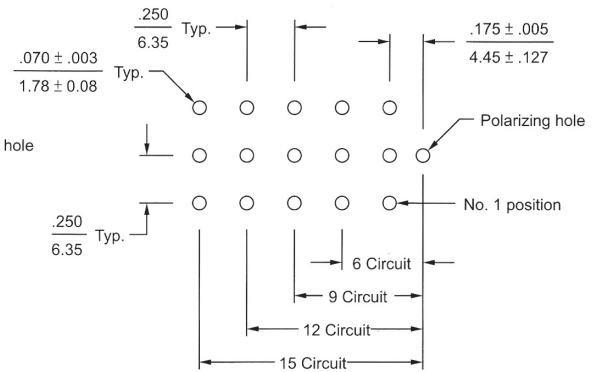
# .250"(6.35mm) Pitch Power Connectors

Circuits	Dimensional Information	
	With Male Pins	With Female Pins
15	<b>9635-15WP</b> <b>9635-15W (Without Polarizing feature)</b>	<b>9635-15WFP</b> <b>9635-15WF (Without Polarizing feature)</b>

2 ~ 10 circuits:



6 ~ 15 circuits:



P. C. board hole dimensions



# .250"(6.35mm) Right Angle Header

## Specifications:

- Current rating: 13A (2~4P), 11A (6~10P)
- Voltage rating: 600V
- Dielectric withstanding voltage: 5000V AC/minute
- Ambient temperature rise: -55 °C ~ 105 °C
- UL file No. : E114003

## 9635-xxWR Series Right Angle Header

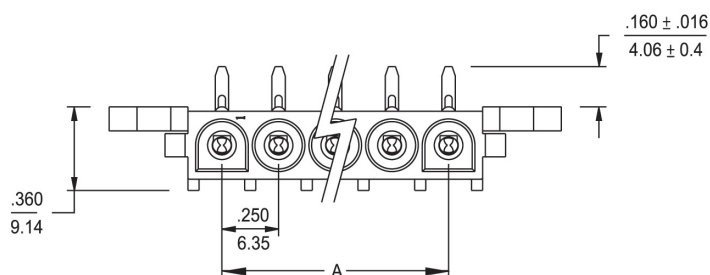
inches  
mm

- 2 ~ 10 circuits available
- Pin Material: Tin-plated phosphor bronze
- Mates with ALEX 9635-xxR housing

### Ordering Information

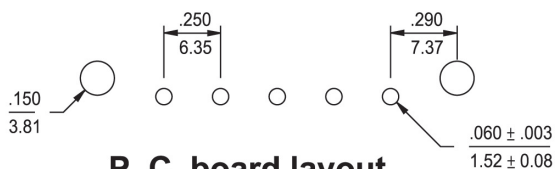
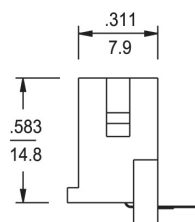
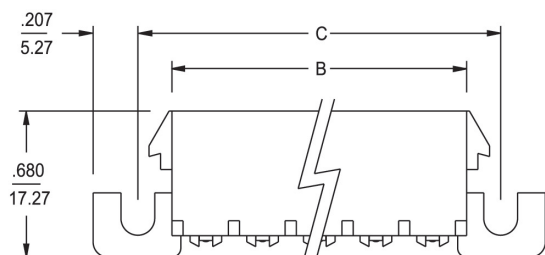
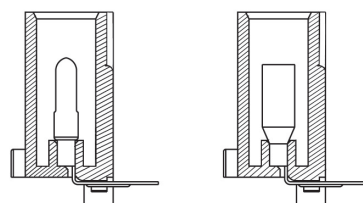
Part No.	Insulation material	Color
9635-xxWR	UL 94V-2	Nature
9635-xxWRF		
9635-xxWR-V0	UL 94V-0	White
9635-xxWRF-V0		

&& xx = 02 ~ 10



9635-xxWR

9635-xxWRF



**P. C. board layout**

### Dimensional Information ( mm )

Circuits	Dim. A	Dim. B	Dim. C	Circuits	Dim. A	Dim. B	Dim. C
2	0.25 ( 6.35)	0.55 (13.97)	0.83 (21.08)	7	1.50 (38.10)	1.80 (45.72)	2.08 (52.83)
3	0.50 (12.70)	0.80 (20.32)	1.08 (27.43)	8	1.75 (44.45)	2.05 (52.07)	2.33 (59.18)
4	0.75 (19.05)	1.05 (26.67)	1.33 (33.78)	9	2.00 (50.80)	2.30 (58.42)	2.58 (65.53)
5	1.00 (25.40)	1.30 (33.02)	1.58 (40.13)	10	2.25 (57.15)	2.55 (64.77)	2.83 (71.88)
6	1.25 (31.75)	1.55 (39.37)	1.83 (46.48)				

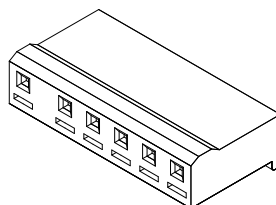
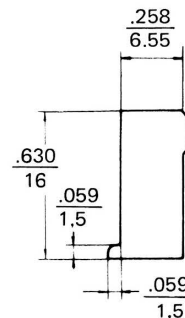
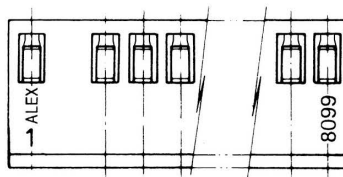
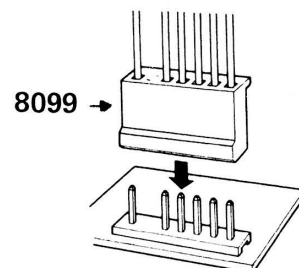
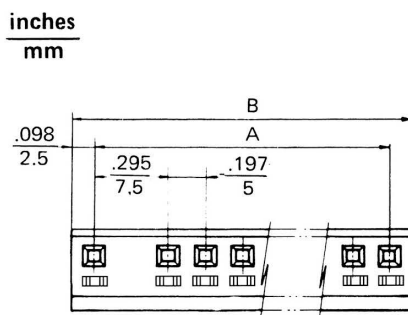


# .295" (7.5mm) / .197" (5.0mm) Crimp Terminal Housing

## 8099 -N Series Crimp Terminal Housing

### Features/Dimensions

- 2-6 Circuits available
- UL 94V-2 nylon 6/6
- Polarization through varied center spacing between circuit 1 & 2
- With locking ramp
- Molded pull tab
- Molded in locking arm for terminal
- Accepts Alex spox terminal 94T/95T
- Mates with Alex 8086, 8087, 8088, 8089 series headers
- UL file No.: E114003



### Dimensional Information - in. (mm)

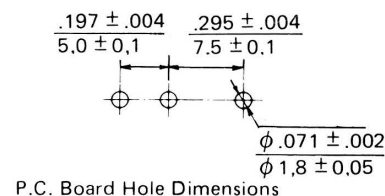
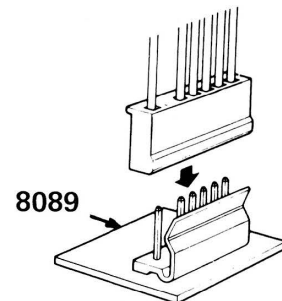
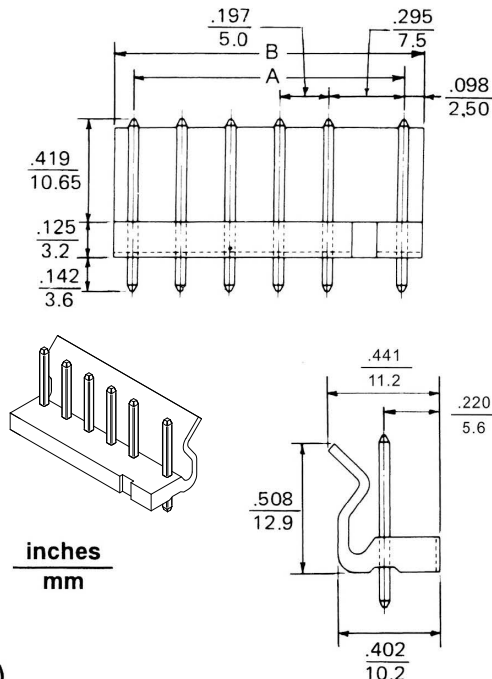
Circuits	Part No.	Dim. A	Dim. B	Circuits	Part No.	Dim. A	Dim. B
2	8099-02	.295 ( 7,5)	.492 (12,5)	5	8099-05	.886 (22,5)	1.083 (27,5)
3	8099-03	.492 (12,5)	.689 (17,5)	6	8099-06	1.083 (27,5)	1.280 (32,5)
4	8099-04	.689 (17,5)	.886 (22,5)				

# .295" (7.5mm) / .197" (5.0mm) Center Header

## 8089 -N Series Straight Pin Friction Lock Header

### Features/Dimensions

- 2-6 Circuits available
- UL 94V-2 nylon 66
- Polarization through varied center spacing between circuit 1 and 2
- .045" (1,14mm) straight square wire pins
- Mates with 8099 series housing
- Tin plated brass pins. Plating options available
- UL file No.: E114003



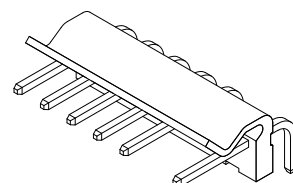
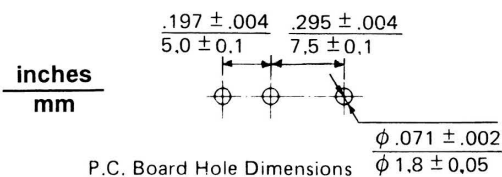
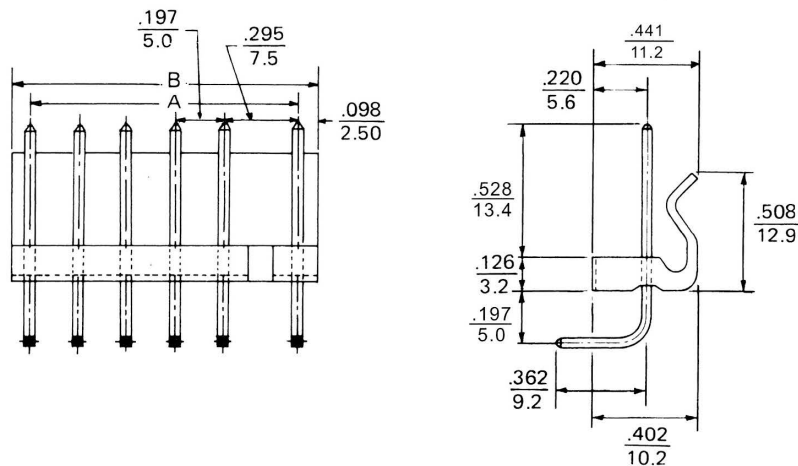
### Dimensional Information - in. (mm)

Circuits	Part No.	Dim. A	Dim. B	Circuits	Part No.	Dim. A	Dim. B
2	8089-02	.295 ( 7,5)	.491 (12.50)	5	8089-05	0.886 (22,50)	1.082 (27.50)
3	8089-03	.492 (12,5)	.688 (17.50)	6	8089-06	1.083 (27,50)	1.279 (32.50)
4	8089-04	.689 (17,5)	.885 (22.50)				

## 8086 -N Series Right Angle Pin Friction Lock Header

### Features/Dimensions

- 2-6 Circuits
- UL 94V-2 nylon 66
- Polarization through varied center spacing between circuit 1 and 2
- .045" (1,14mm) right angle square wire pins
- Mates with 8099 series housing
- Tin plated brass pins. Plating options available
- UL file No.: E114003



### Dimensional Information - in. (mm)

Circuits	Part No.	Dim. A	Dim. B	Circuits	Part No.	Dim. A	Dim. B
2	8086-02	.295 ( 7,5)	.491 (12.50)	5	8086-05	.886 (22,5)	1.082 (27.50)
3	8086-03	.492 (12,5)	.688 (17.50)	6	8086-06	1.083 (27,5)	1.279 (32.50)
4	8086-04	.689 (17,5)	.885 (22.50)				

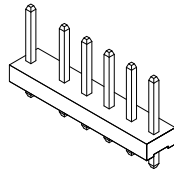


# .295" (7.5mm) / .197" (5.0mm) Center Header

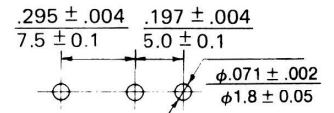
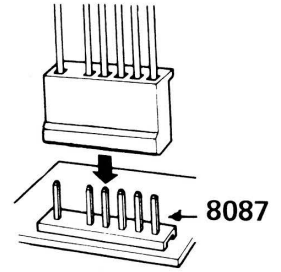
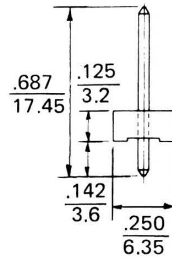
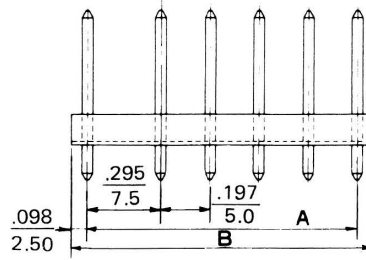
## 8087-N Series Straight Pin Flat Header

**Features/Dimensions:**

- 2-6 Circuits
- UL 94V-2 nylon 66
- Polarization through varied center spacing between circuit 1 and 2
- .045" (1,14mm) straight square wire pins
- Mates with 8099 series housing
- Tin plated brass pins. Plating options available
- UL file No.: E114003



inches  
mm



P.C. Board Hole Dimensions

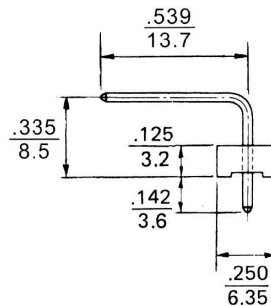
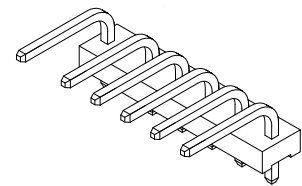
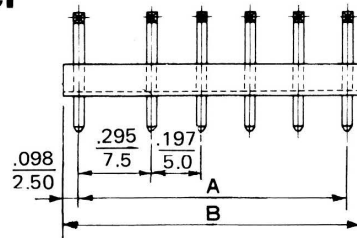
**Dimensional Information - in. (mm)**

Circuits	Part No.	Dim. A	Dim. B	Circuits	Part No.	Dim. A	Dim. B
2	8087-02	.295 ( 7,5)	.491 (12,50)	5	8087-05	.886 (22,5)	1.082 (27,50)
3	8087-03	.492 (12,5)	.688 (17,50)	6	8087-06	1.083 (27,5)	1.279 (32,50)
4	8087-04	.689 (17,5)	.885 (22,50)				

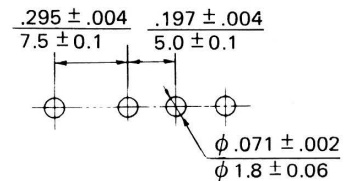
## 8088-N Series Right Angle Pin Flat Header

**Features/Dimensions**

- 2-6 Circuits available
- UL 94V-2 nylon 66
- Polarization through varied center spacing between circuit 1 and 2
- Mates with 8099 series housing
- .045" (1,14mm) right angle square pin
- Tin plated brass pins. Plating options available
- UL file No.: E114003



inches  
mm



P.C. Board Hole Dimensions

**Dimensional Information - in. (mm)**

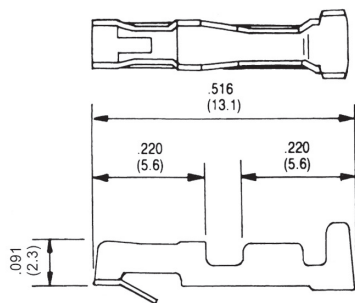
Circuits	Part No.	Dim. A	Dim. B	Circuits	Part No.	Dim. A	Dim. B
2	8088-02	.295 ( 7,5)	.491 (12,50)	5	8088-05	.886 (22,5)	1.082 (27,50)
3	8088-03	.492 (12,5)	.688 (17,50)	6	8088-06	1.083 (27,5)	1.279 (32,50)
4	8088-04	.689 (17,5)	.885 (22,50)				



# .197"(5.0mm) / .295"(7.5mm) Connector and Header

## 8830T Series Crimp Terminal

- Used in ALEX 8831-N series housing



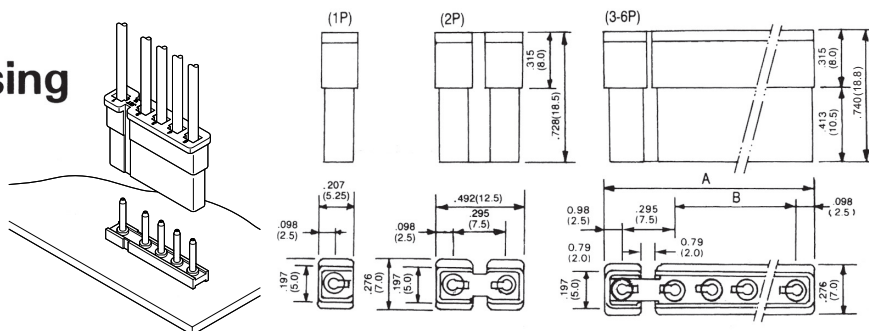
Part No.	Applicable wires		Insulation O.D. in. (mm)	Material	Finish
	mm <sup>2</sup>	AWG #			
8830T	0.13 ~ 0.5	26 ~ 20	.051 ~ .106 (1.3 ~ 2.7)	Brass	Tin-plated

Note: Contact us for details if you wish to use shielded wires, thin wires or other special wires, or if you wish to crimp two wires in one contact.

## 8831-N Series Crimp Terminal Housing

### Features/Dimensions:

- Mates with .061" (1.55mm) round pins
- 1-6 Circuits available
- Accepts ALEX 8830T terminal
- UL 94V-0 nylon 66
- Polarization through varied center spacing between circuit 1 & 2
- UL File No. : E114003



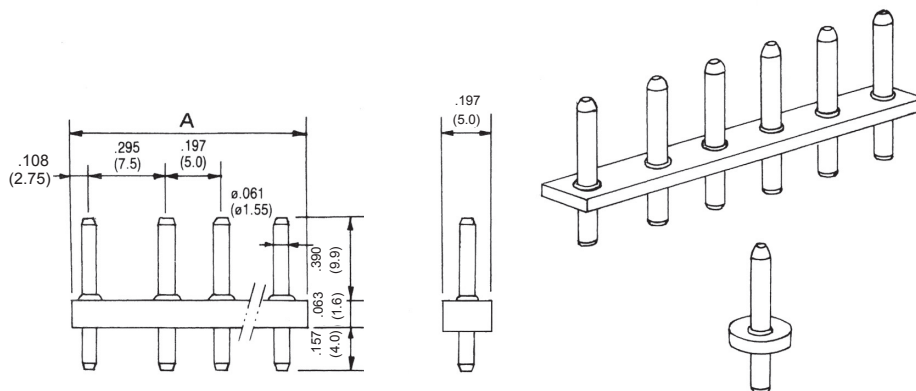
### Ordering and Dimensional Information - in. (mm)

Circuits	Part No.	Dim. A	Dim. B	Circuits	Part No.	Dim. A	Dim. B
2	8831-02	.512 (13.0)	—	5	8831-05	1.102 (28.0)	.591 (15.0)
3	8831-03	.709 (18.0)	.197 ( 5.0)	6	8831-06	1.300 (33.0)	.787 (20.0)
4	8831-04	.906 (23.0)	.394 (10.0)				

## 8832-N Series Straight Pin Headers

### Features/Dimensions

- 1-6 Circuits available
- UL 94V-0 nylon 66
- Polarization through varied center spacing between circuit 1 and 2
- Mates with 8831 series housing
- .061" (1.55mm) Straight round wire pins
- Tin plated brass pins. Plating options available
- UL File No. : E114003



### Dimensional Information

Circuits	Dim. A	Circuits	Dim. A	Circuits	Dim. A	Circuits	Dim. A	Circuits	Dim. A
2	.512 13.0	3	.709 18.0	4	.906 23.0	5	1.102 28.0	6	1.300 33.0

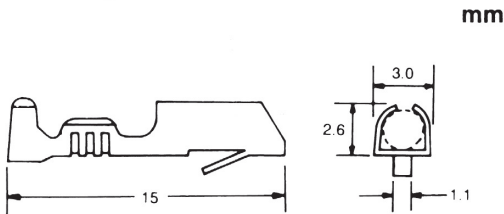
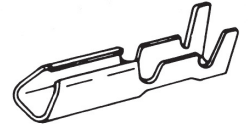




# .315" (8.0mm) / .394" (10.0mm) Connector and Header

## 8835T Series Crimp Terminal

- Used in ALEX 8836-N series housing

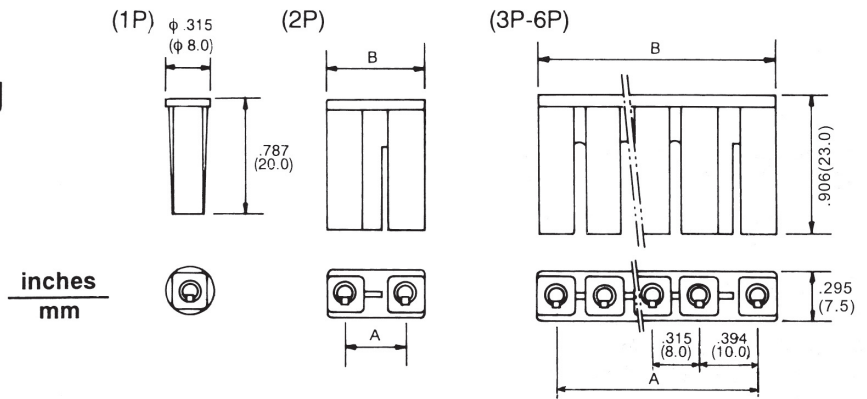


Part No.	Applicable wires		Insulation O.D. in. (mm)	Material	Finish
	mm <sup>2</sup>	AWG #			
8835T	0.2 ~ 0.5	24 ~ 20	0.63 ~ .106 (1.6 ~ 2.7)	Brass	Tin-plated

## 8836-N Series Crimp Terminal Housing

### Features/Dimensions:

- Mates with .093" (2.36mm) round pins
- 1-6 Circuits available
- UL 94V-0 nylon 66
- Polarization through varied center spacing between circuit 1 & 2
- Accepts ALEX 8835T terminal
- Mates with 8837 series header
- UL File No. : E114003



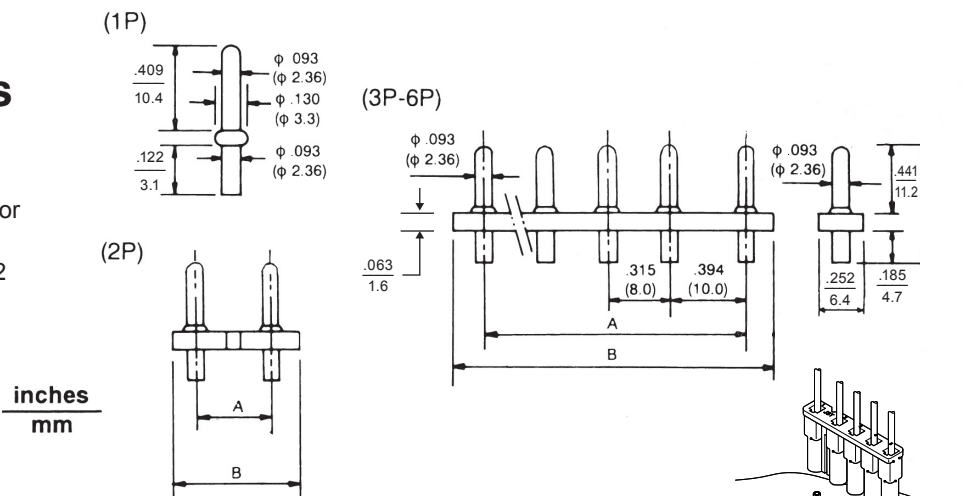
### Ordering and Dimensional Information - in. (mm)

Circuits	Part No.	Dim. A	Dim. B	Circuits	Part No.	Dim. A	Dim. B
2	8836-02	.384 (10.0)	.638 (16.2)	5	8836-05	1.393 (34.0)	1.583 (40.2)
3	8836-03	.709 (18.0)	.953 (24.2)	6	8836-06	1.654 (42.0)	1.898 (48.2)
4	8836-04	1.024 (26.0)	1.268 (32.2)				

## 8837-N Series Straight Pin Headers

### Features/Dimensions:

- 1-6 Circuits available
- Material: Bakelite, UL 94V-0, Black color
- Polarization through varied center spacing between circuit 1 and 2
- Mates with 8836 housing
- .093" (2.36mm) Straight round pin
- Tin plated brass pins. Plating options available
- UL file No. : E114003



### Ordering and Dimensional Information - in. (mm)

Circuits	Part No.	Dim. A	Dim. B	Circuits	Part No.	Dim. A	Dim. B
2	8837-02	.384 (10.0)	0.728 (18.5)	5	8837-05	1.393 (34.0)	1.673 (42.5)
3	8837-03	.709 (18.0)	1.043 (26.5)	6	8837-06	1.654 (42.0)	1.988 (50.5)
4	8837-04	1.024 (26.0)	1.358 (34.5)				



# .163"(4.14mm) Wire to Wire Connectors

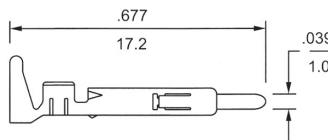
## 7003T Male Crimp Terminal

## 7004T Female Crimp Terminal

inches  
mm

### Ordering Information

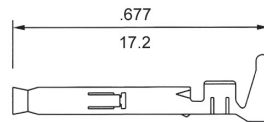
Part No.	Wire range	Material
7003 T1	#22~#26	Brass
7003 TP1		Phosphor bronze
7003 T2	#18~#24	Brass
7003 TP2		Phosphor bronze



- Finished: Tin-plated
- Used in ALEX 6612 housing
- Wire range: #18 ~ #26AWG
- Thickness: 0.2mm

### Ordering Information

Part No.	Wire range	Material
7004 T1	#22~#26	Brass
7004 TP1		Phosphor bronze
7004 T2	#18~#24	Brass
7004 TP2		Phosphor bronze



- Current rating: 5A AC, DC
- Voltage rating: 300V AC, DC
- Dielectric withstanding voltage: 1500V AC/minute
- Ambient temperature range: -25 °C ~ 90 °C
- UL file No. : E114003

## 6612 Series Crimp Terminal Housing

inches  
mm

- Integrally molded polarization
- UL 94V-2 nylon 66
- Accepts ALEX 7003T, 7004T terminals

- 1, 2, 3, 4, 6, 8, 9, 10, 12, 15, 16 circuits available
- Color: Nature
- Positive locking
- Insulation resistance: 1000MΩ Min.

Circuits	Dimensional Information	
	Plug	Receptacle
1	<p><b>6612-01F1 (W/O Mtg. Ears)</b></p>	<p><b>6612-01M1</b></p>
2	<p><b>6612-02F</b> <b>6612-02F1 (W/O Mtg. Ears)</b></p>	<p><b>6612-02M1</b></p>
3	<p><b>6612-03F</b> <b>6612-03F1 (W/O Mtg. Ears)</b></p>	<p><b>6612-03M1</b></p>

Circuits	Dimensional Information	
	Plug	Receptacle
4	<b>6612-04F</b> <b>6612-04F1 (W/O Mtg. Ears)</b>	<b>6612-04M1</b>
	<b>6612-06F</b> <b>6612-06F1 (W/O Mtg. Ears)</b>	<b>6612-06M1</b>
9	<b>6612-09F</b> <b>6612-09F1 (W/O Mtg. Ears)</b>	<b>6612-09M1</b>
	<b>6612-12F</b> <b>6612-12F1 (W/O Mtg. Ears)</b>	<b>6612-12M1</b>
15	<b>6612-15F</b> <b>6612-15F1 (W/O Mtg. Ears)</b>	<b>6612-15M1</b>

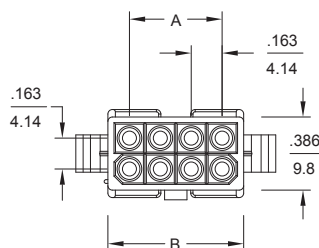
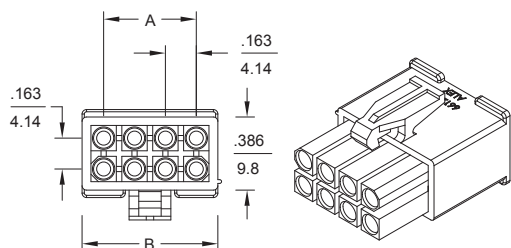


# .163"(4.14mm) Dual Row Wire to Wire Connector

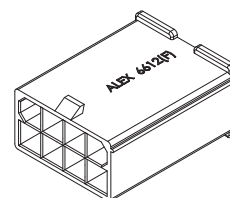
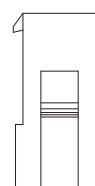
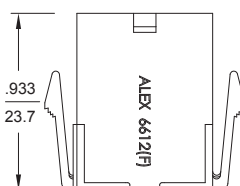
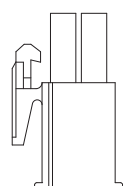
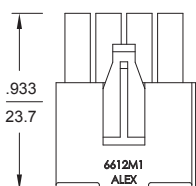
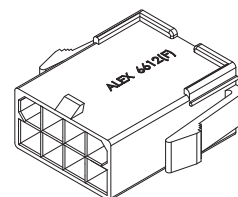
## 6612-xxM1

## 6612-xxF

## 6612-xxF1 (W/O Mtg. Ears)



inches  
mm



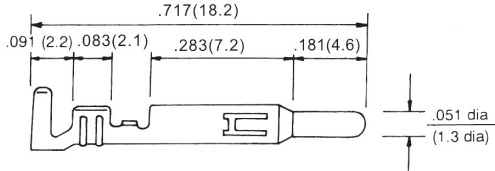
### Dimensional Information - in ( mm )

Part No.			Dimensional Information	
Receptacle	Plug		Dim. A	Dim. B
	With Mtg. Ears	W/O Mtg. Ears		
6612-02M1	6612-02F	6612-02F1	<del>0.163 ( 4.14 )</del>	0.220 ( 5.6 )
6612-04M1	6612-04F	6612-04F1	0.163 ( 4.14 )	0.386 ( 9.8 )
6612-06M1	6612-06F	6612-06F1	0.326 ( 8.28 )	0.551 ( 14.0 )
6612-08M1	6612-08F	6612-08F1	0.489 ( 12.42 )	0.717 ( 18.2 )
6612-10M1	6612-10F	6612-10F1	0.652 ( 16.56 )	0.882 ( 22.4 )
6612-12M1-D	6612-12F-D	6612-12F1-D	0.815 ( 20.70 )	1.047 ( 26.6 )
6612-14M1	6612-14F	6612-14F1	0.978 ( 24.84 )	1.213 ( 30.8 )
6612-16M1	6612-16F	6612-16F1	1.141 ( 28.98 )	1.378 ( 35.0 )

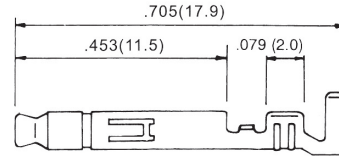


# .177" (4.5 mm) Pitch Connection System

## 7007T



## 7008T

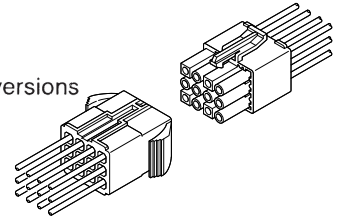


### Specifications

- Current rating: 10A AC, DC max.
- Voltage rating: 300V AC, DC
- Temperature range: -25°C ~ +90°C (including temperature rise)
- Contact resistance: Initial value/7mΩ max. After environmental testing/10mΩ max.
- Insulation resistance: 1,000MΩ min.
- Withstand voltage: 1,500V AC/minute
- Applicable wires: AWG #20 ~ #16  
0.5 ~ 1.25 mm<sup>2</sup>
- Applicable panel thickness: .031" ~ .079"  
(0.8 ~ 2.0mm)
- UL File No.: E114003

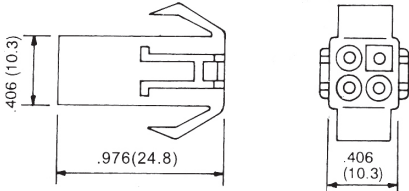
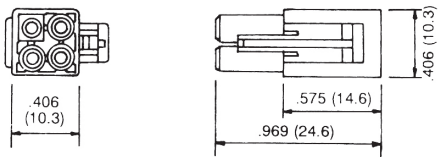
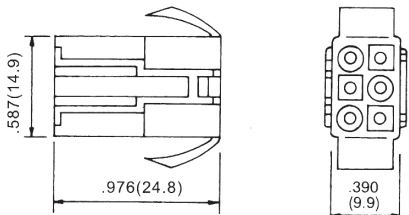
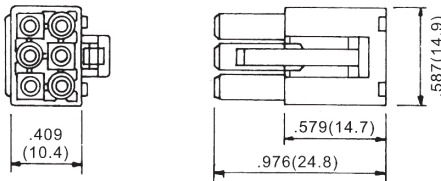
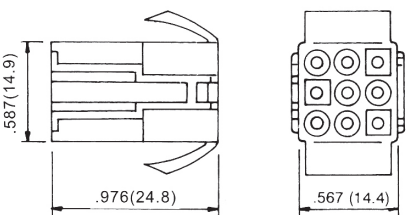
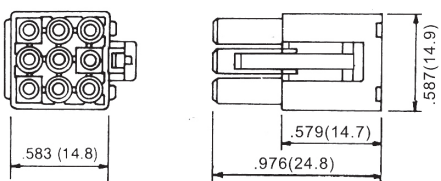
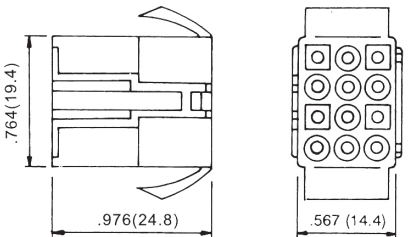
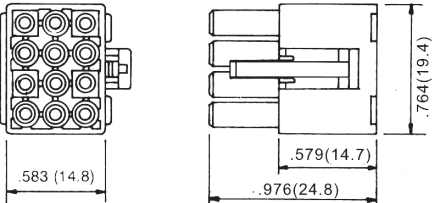
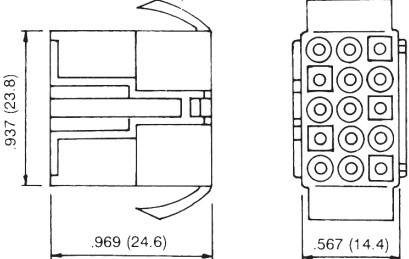
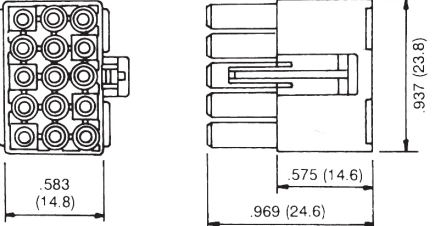
## 6613-N Series

- Integrally molded polarization
- 94V-0 nylon
- Accepts ALEX .051" (1.3mm) crimp type terminal
- 2, 3, 4, 6, 9, 12, 15 circuit versions
- Positive locking
- Standard color: white
- UL File No.: E114003



Circuits	Max. Rated		Dimensional Information			
	Amps	Voltage	Plug		Receptacle	
2	10A	300V	<b>6613-02F</b> 		<b>6613-02M1</b> 	
3	10A	300V	<b>6613-03F</b> 		<b>6613-03M1</b> 	
4	10A	300V	<b>6613-04F</b> 		<b>6613-04M1</b> 	



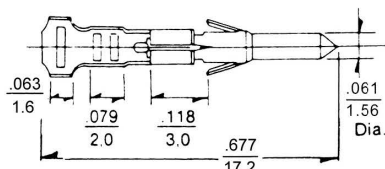
Circuits	Max. Rated		Dimensional Information			
	Amps	Voltage	Plug		Receptacle	
4	10A	300V	6613-04VF 6613-04VF1 (W/O Mtg. Ears) 	6613-04VM1 		
6	8A	300V	6613-06F 	6613-06M1 		
9	6A	300V	6613-09F 	6613-09M1 		
12	6A	300V	6613-12F 	6613-12M1 		
15	6A	300V	6613-15F 	6613-15M1 		



# .062'(1.58mm) Connectors

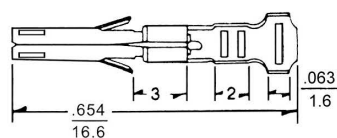
## 55/56 Mini Fit Series Terminals (for 7625 Housings) 7725 7604

### 56T



Tin Plated Brass Terminal

### 55T



Tin Plated Brass Terminal

inches  
mm

## 7725 Mini-Fit Pin & Socket Connectors

### Features/Dimensions:

- .062" (1,58mm) diameter pin and socket
- 2, 3, 4, 6, 9, 12 and 15 circuits
- Positive lock
- UL 94V-2 material - natural color
- UL file No.: E 114003

Shielding sleeve design on both plug and receptacle isolates each terminal and assures a .16" (4mm) over-surface and .12" (3mm) through-air spacing between terminals. Spacing between the back of the terminals' crimped section and the closest point to which it could meet a metal panel is .16" (4mm). Terminals used are the standard .062" (1,58mm) diameter pin and socket.

The 7725 Mini-Fit connectors are available with integrally molded mounting ears for fast snap-lock panel mounting. They are designed so that the connectors cannot be misconnected. For additional polarity, the pin and socket terminals can be inserted in either a plug or receptacle.

7725 Mini-Fit connectors have been developed to meet the demands of miniaturization, high reliability and safety requirements.

Circuits	Max. Rated		Dimensional Information			
	Amp	Voltage	Plug		Receptacle	
2	5A	250V	<p>7725-02F 7725-02F I (W/O Mtg. Ears)</p>	<p>7725-02M I (W/O Mtg. Ears)</p>		
3	5A	250V	<p>7725-03F 7725-03F I (W/O Mtg. Ears)</p>	<p>7725-03M I (W/O Mtg. Ears)</p>		

Circuits	Max. Rated		Dimensional Information			
	Amps	Voltage	Plug		Receptacle	
4	5A	250V	7725-04F 7725-04F1 (W/O Mtg. Ears)		7725-04M1 (W/O Mtg. Ears)	
6	5A	250V	7725-06F 7725-06F1 (W/O Mtg. Ears)		7725-06M1 (W/O Mtg. Ears)	
9	5A	250V	7725-09F 7725-09F1 (W/O Mtg. Ears)		7725-09M1 (W/O Mtg. Ears)	
12	5A	250V	7725-12F 7725-12F1 (W/O Mtg. Ears)		7725-12M1 (W/O Mtg. Ears)	
15	5A	250V	7725-15F 7725-15F1 (W/O Mtg. Ears)		7725-15M1 (W/O Mtg. Ears)	





# .062" (1.58mm) Connectors

## 7625 & 7604 Series

### Features/Dimensions:

- Integrally molded polarization
- 94V-2 Rated nylon
- Accept Alex .062" (1.58mm) crimp type terminals
- 1, 2, 3, 4, 5, 6, 9, 12, 15 circuits
- Friction lock
- UL file No.: E 114003
- Integrally molded mounting ears available
- Standard color natural.
- .145" (3.68mm) grid spacing\*
- Strain relief for 15 circuit version

Circuits	Max. Rated		Dimensional Information			
	Amps	Voltage	Plug		Receptacle	
1	5A	250V	<p>7625-01F1</p>	<p>7625-01M1</p>		
2	5A	250V	<p>7625-02F 7625-02F1 (W/O Mtg. Ears)</p>	<p>7625-02M 7625-02M1 (W/O Mtg. Ears)</p>		
3	5A	250V	<p>7625-03F 7625-03F1 (W/O Mtg. Ears)</p>	<p>7625-03M 7625-03M1 (W/O Mtg. Ears)</p>		
4	5A	250V	<p>7625-04F 7625-04F1 (W/O Mtg. Ears)</p>	<p>7625-04M 7625-04M1 (W/O Mtg. Ears)</p>		

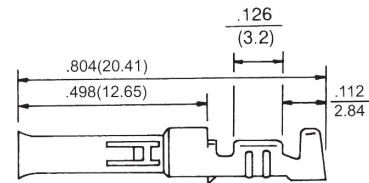
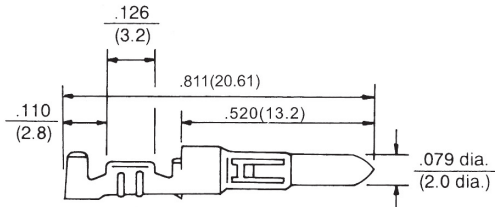
Circuits	Max. Rated		Dimensional Information			
	Amps	Voltage	Plug		Receptacle	
4	5A	250V	7604F 7604F1 (W/O Mtg. Ears)	7604M 7604M1 (W/O Mtg. Ears)		
5	5A	250V	7625-05F 7625-05F1 (W/O Mtg. Ears)	7625-05M 7625-05M1 (W/O Mtg. Ears)		
6	5A	250V	7625-06F 7625-06F1 (W/O Mtg. Ears)	7625-06M 7625-06M1 (W/O Mtg. Ears)		
9	5A	250V	7625-09F 7625-09F1 (W/O Mtg. Ears)	7625-09M 7625-09M1 (W/O Mtg. Ears)		
12	5A	250V	7625-12F 7625-12F1 (W/O Mtg. Ears)	7625-12M 7625-12M1 (W/O Mtg. Ears)		
15	5A	250V	7625-15F 7625-15F1 (W/O Mtg. Ears)	7625-15M 7625-15M1 (W/O Mtg. Ears)		



# .244" (6.2mm) Pitch Connection System

- 7005T**
- 7005T-6213 use with 14-20 AWG wire
  - 7005T-9213 use with 20-24 AWG wire

- 7006T**
- 7006T-6223 use with 14-20 AWG wire
  - 7006T-9223 use with 20-24 AWG wire



## Specifications

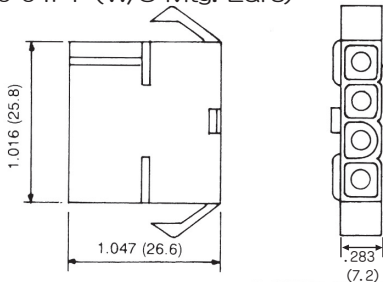
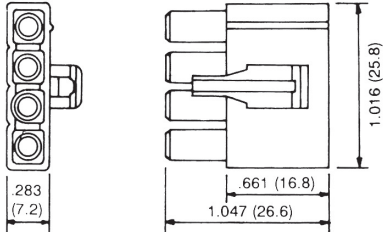
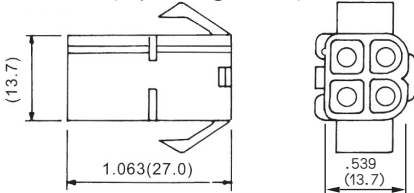
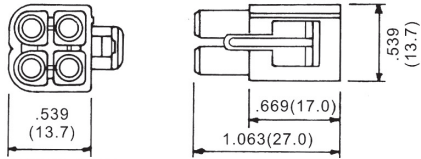
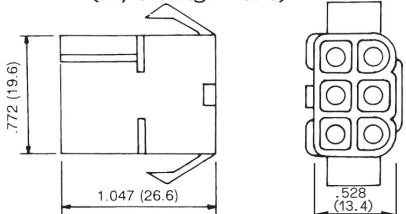
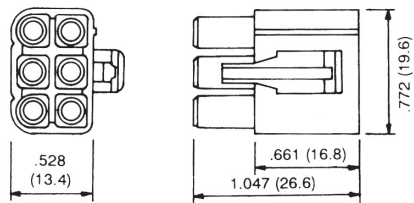
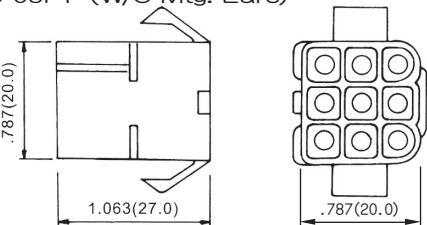
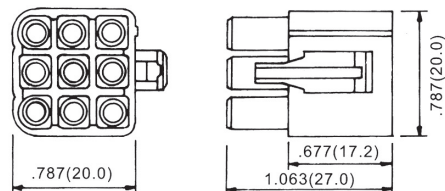
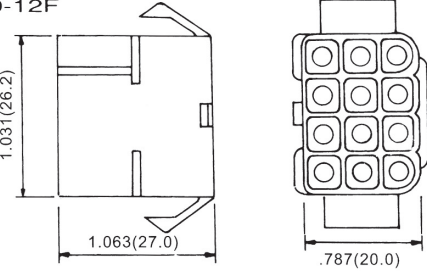
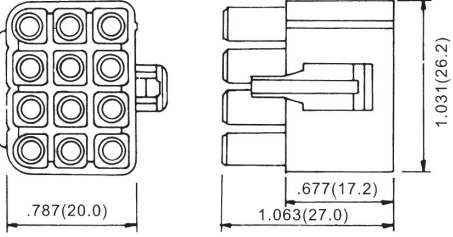
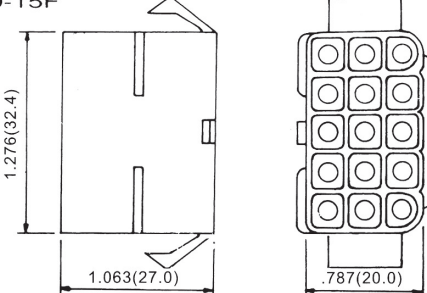
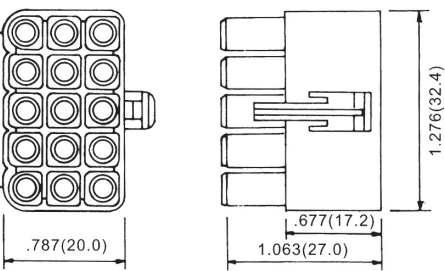
- Current rating: 10A AC, DC max.
- Voltage rating: 300V AC, DC (Single pole: 600V)
- Temperature range: -25°C ~ +90°C (including temperature rise)
- Contact resistance: Initial value/10mΩ max. After environmental testing/20mΩ max.
- Insulation resistance: 1,000MΩ min.
- Withstand voltage: 1,500V AC/minute
- Applicable wires: AWG #24 ~ #16 (0.2 ~ 2.0 mm<sup>2</sup>)
- Applicable panel thickness: .031" ~ .079" (0.8 ~ 2.0mm)
- UL File No.: E114003

## 6420 Series

- Integrally molded polarization
- 94V-2 and 94V-0 nylon
- Accept ALEX .079" (2.0mm) crimp type terminal
- 1, 2, 3, 4, 6, 9, 12, 15 circuit versions
- Standard color natural. Can be color coded in black, brown, green, gray, orange, amber, red or yellow
- Positive locking

Circuits	Max. Rated		Dimensional Information			
	Amps	Voltage	Plug		Receptacle	
1	10A	600V	<b>6420-01F1</b> 		<b>6420-01M1</b> 	
2	10A	300V	<b>6420-02F</b> <b>6420-02F1 (W/O Mtg. Ears)</b> 		<b>6420-02M1</b> 	
3	10A	300V	<b>6420-03F</b> <b>6420-03F1 (W/O Mtg. Ears)</b> 		<b>6420-03M1</b> 	

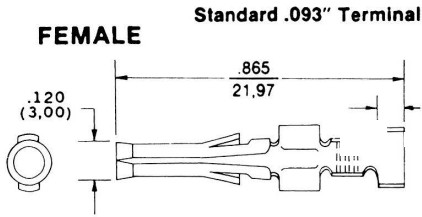


Circuits	Max. Rated		Dimensional Information			
	Amps	Voltage	Plug		Receptacle	
4	10A	300V	6420-04F 6420-04F1 (W/O Mtg. Ears) 		6420-04M1 	
			6420-04VF 6420-04VF1 (W/O Mtg. Ears) 		6420-04VM1 	
6	8A	300V	6420-06F 6420-06F1 (W/O Mtg. Ears) 		6420-06M1 	
			6420-09F 6420-09F1 (W/O Mtg. Ears) 		6420-09M1 	
12	6A	300V	6420-12F 		6420-12M1 	
			6420-15F 		6420-15M1 	

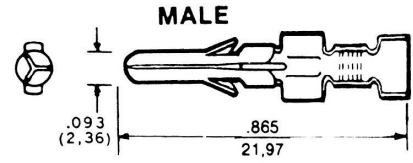


# .093" (2.36mm) Diameter Terminals

## 81T



## 80T



### Specifications:

#### Electrical:

- Resistance-MV voltage drop per amp,  $\pm 10\%$ :
  - 1st engagement 3.0
  - 10th engagement 3.1
- High Voltage Test-Withstands 1500 volts
- RMS for 60 seconds min. applied between adjacent terminals. c
- Temperature Rise: 30°C maximum for all connectors at maximum rated current.
- Current Rating: Amperage rating up to 12 amps on some sizes.
- Storage Temperature Range: -40°C to 125°C

### Tin Plated Brass Terminal

#### Mechanical:

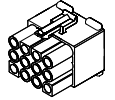
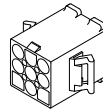
- Terminal Crimp Strength-Minimum pull-out force in pounds (kilograms) for AWG wire sizes:
 

14-35 (15.9 )	24-8 (3.63)
16-30 (13.6 )	26-5 (2.27)
18-20 ( 9.07)	28-3 (1.36)
20-15 ( 6.80)	30-2 (0.91)
22-10 ( 4.54)	

## 8891-N Series

- Integrally molded polarization
- 94V-2 and 94V-0 nylon
- Accepts Alex .093" (2.36mm) crimp type
- 1, 2, 3, 4, 6, 9, 12, 15 circuit versions

- UL File No.: E114003
- Positive locking
- Integrally molded mounting ears available on plug only
- .16" (4mm) over surface and .12" (3mm) through air spacing between terminals



- Standard color natural. Can be color coded in black, brown, green, gray, orange, amber, red or yellow
- .264" (6.71mm) grid pattern

Circuits	Max. Rated		Dimensional Information			
	Amps	Voltage	Plug		Receptacle	
1	12A	600V	8891-01F 8891-01F1 (W/O Mtg. Ears) 	8891-01M1 (W/O Mtg. Ears) 		
2	12A	600V	8891-02F 8891-02F1 (W/O Mtg. Ears) 	8891-02M1 (W/O Mtg. Ears) 		
3	11A	600V	8891-03F 8891-03F1 (W/O Mtg. Ears) 	8891-03M1 (W/O Mtg. Ears) 		

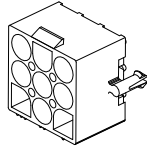
Circuits	Max. Rated		Dimensional Information			
	Amps	Voltage	Plug		Receptacle	
4	9A	600V	8891-04F 8891-04F I (W/O Mtg. Ears) 	8891-04M1 (W/O Mtg. Ears) 		
6	9A	600V	8891-06F 8891-06F I (W/O Mtg. Ears) 	8891-06M1 (W/O Mtg. Ears) 		
9	8A	600V	8891-09F 8891-09F I (W/O Mtg. Ears) 	8891-09M1 (W/O Mtg. Ears) 		
12	7A	600V	8891-12F 8891-12F I (W/O Mtg. Ears) 	8891-12M1 (W/O Mtg. Ears) 		
15	6A	600V	8891-15F 8891-15F I (W/O Mtg. Ears) 	8891-15M1 (W/O Mtg. Ears) 		



# .093"(2.36mm) Connectors

## 8891-xxW Series Vertical Header

- 2, 3, 4, 6, 9 circuits available
- Insulation material: UL 94V-2 nylon 66
- Contact material: Tin-plated brass
- Mates with ALEX 8891-xxM1 housing
- Standard color: Nature

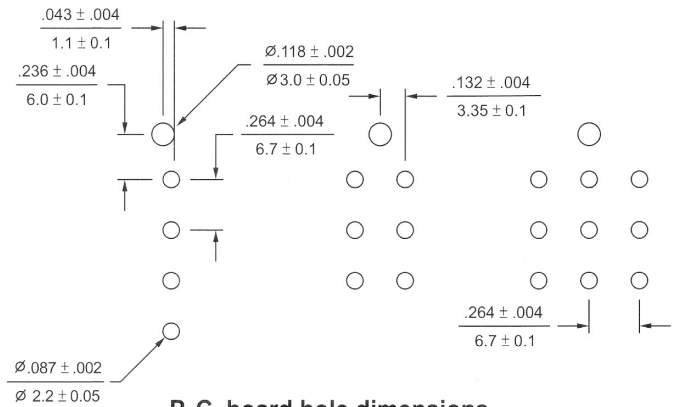


inches  
mm

2 ~ 4 circuits

6 circuits

9 circuits



Circuits	Dimensional Information	Circuits	Dimensional Information
2		4	
3		9	
6			



# .093" (2.36mm) Connectors

## Standard Connectors

### Features/Dimensions:

- Integrally molded polarization
- 94V-2 rated nylon
- Accepts Alex. .093" (2,36mm) diameter crimp type terminals (80T, 81T)
- .198" (5,03mm) spacing in a grid pattern
- Integrally molded mounting ears available
- Standard detent locking
- Standard color natural
- 1, 2, 3, 4, 5, 6, 9, 12, 15 circuit versions
- UL File No. : E114003

Circuits	Max. Rated		Dimensional Information	
	Amps	Voltage	Plug	Receptacle
1	12A	250V	7619F (W/O Mtg. Ears) 	7619M (W/O Mtg. Ears) 
2	12A	250V	7545F 7545F1 (W/O Mtg. Ears) 	7545M 7545M1 (W/O Mtg. Ears) 
3	12A	250V	7396F 7396F1 (W/O Mtg. Ears) 	7396M 7396M1 (W/O Mtg. Ears) 
4	9A	250V	7490F 7490F1 (W/O Mtg. Ears) 	7490M 7490M1 (W/O Mtg. Ears) 
4	9A	250V	7163F 7163F1 (W/O Mtg. Ears) 	7163M 7163M1 (W/O Mtg. Ears) 



Circuits	Max. Rated		Dimensional Information	
	Amps	Voltage	Plug	Receptacle
5	9A	250V	<p>7653F 7653F I (W/O Mtg. Ears)</p>	<p>7653M I (W/O Mtg. Ears)</p>
6	9A	250V	<p>7261F 7261F I (W/O Mtg. Ears)</p>	<p>7261M 7261M I (W/O Mtg. Ears)</p>
9	9A	250V	<p>7292F 7292F I (W/O Mtg. Ears)</p>	<p>7292M, 7292MC 7292M I, 7292MCI (W/O Mtg. Ears)</p>
12	7.5A	250V	<p>7360F 7360F I (W/O Mtg. Ears)</p>	<p>7360M 7360M I (W/O Mtg. Ears)</p>
15	7.5A	250V	<p>7375F 7375F I (W/O Mtg. Ears)</p>	<p>7375M 7375M I (W/O Mtg. Ears)</p>

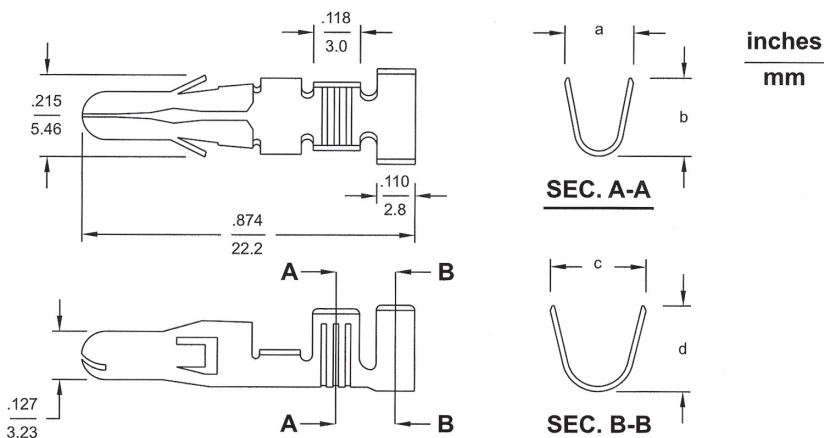
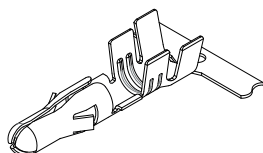
# .125"(3.18mm) Diameter Pin and Socket

## Specifications:

- Current rating: 20A Max.
- Voltage rating: 600V
- Dielectric withstanding voltage: 1500V AC rms
- Contact resistance: 10mΩ Max.
- Ambient temperature range: -40 °C ~ 105 °C (including temperature rise)
- UL file No. : E114003

## 82T Series Male Crimp Terminal

- Used in ALEX 8892 housing
- Wire range: #10 ~ #18 AWG
- Finished: Tin-plated
- Thickness: 0.3mm

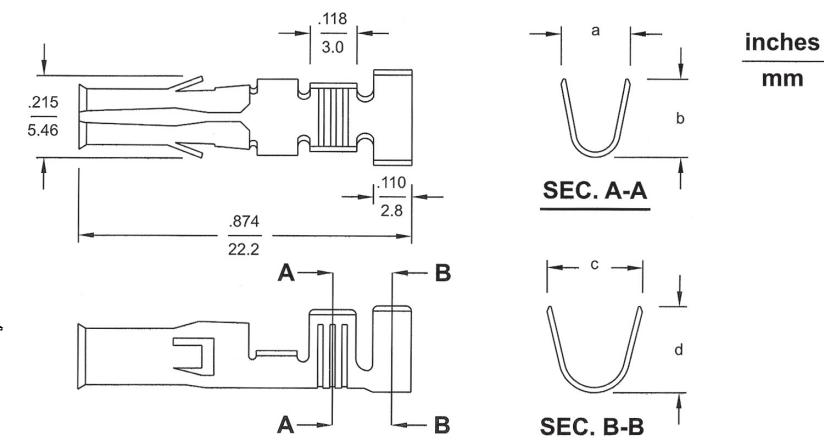
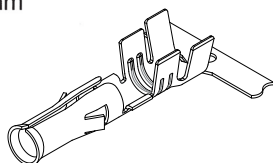


### Dimensional Information - in ( mm )

Part No.	Wire size (AWG)	Max. Ins. Dia.	Material	Dim. a	Dim. b	Dim. c	Dim. d
82T1	#16 ~ #18	0.120 (3.05)	Brass	0.110 (2.8)	0.130 (3.3)	0.193 (4.9)	0.197 (5.0)
82T2	#16 ~ #18	0.180 (4.57)		0.110 (2.8)	0.130 (3.3)	0.256 (6.5)	0.224 (5.7)
82T3	#10 ~ #14	0.180 (4.57)		0.205 (5.2)	0.213 (5.4)	0.256 (6.5)	0.224 (5.7)
82TP1	#16 ~ #18	0.120 (3.05)	Phosphor bronze	0.110 (2.8)	0.130 (3.3)	0.193 (4.9)	0.197 (5.0)
82TP2	#16 ~ #18	0.180 (4.57)		0.110 (2.8)	0.130 (3.3)	0.256 (6.5)	0.224 (5.7)
82TP3	#10 ~ #14	0.180 (4.57)		0.205 (5.2)	0.213 (5.4)	0.256 (6.5)	0.224 (5.7)

## 83T Series Female Crimp Terminal

- Used in ALEX 8892 housing
- Wire range: #10 ~ #18 AWG
- Finished: Tin-plated
- Thickness: 0.3mm



### Dimensional Information - in ( mm )

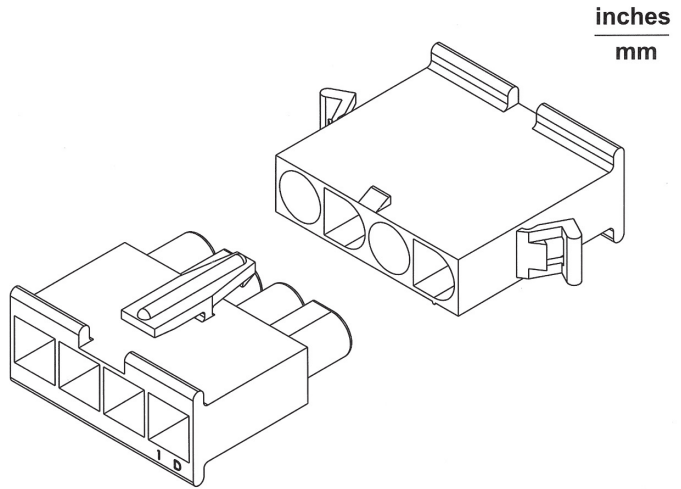
Part No.	Wire size (AWG)	Max. Ins. Dia.	Material	Dim. a	Dim. b	Dim. c	Dim. d
83T1	#16 ~ #18	0.120 (3.05)	Brass	0.110 (2.8)	0.130 (3.3)	0.193 (4.9)	0.197 (5.0)
83T2	#16 ~ #18	0.180 (4.57)		0.110 (2.8)	0.130 (3.3)	0.256 (6.5)	0.224 (5.7)
83T3	#10 ~ #14	0.180 (4.57)		0.205 (5.2)	0.213 (5.4)	0.256 (6.5)	0.224 (5.7)
83TP1	#16 ~ #18	0.120 (3.05)	Phosphor bronze	0.110 (2.8)	0.130 (3.3)	0.193 (4.9)	0.197 (5.0)
83TP2	#16 ~ #18	0.180 (4.57)		0.110 (2.8)	0.130 (3.3)	0.256 (6.5)	0.224 (5.7)
83TP3	#10 ~ #14	0.180 (4.57)		0.205 (5.2)	0.213 (5.4)	0.256 (6.5)	0.224 (5.7)



# .125"(3.18mm) Diameter Pin and Socket

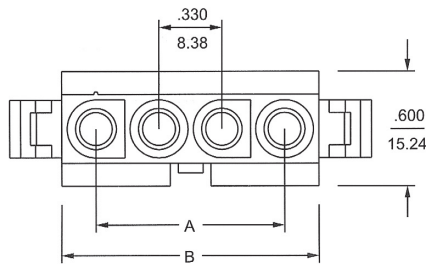
## 8892 Series Crimp Terminal Housing

- 1 ~ 4 circuits available
- Material: UL 94V-2
- Accepts ALEX 82T, 83T terminals
- Color: Nature

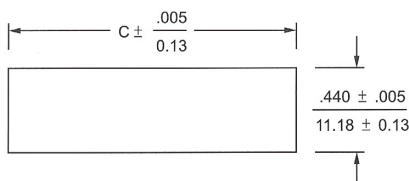
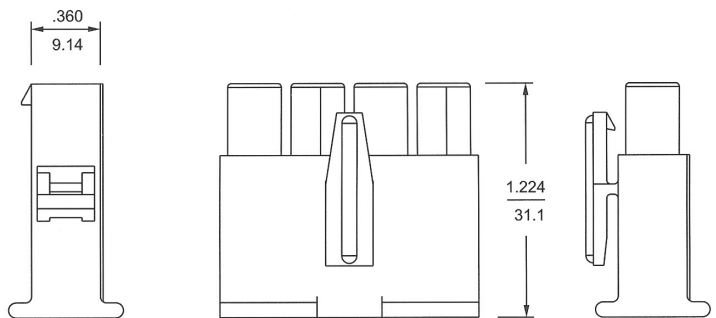
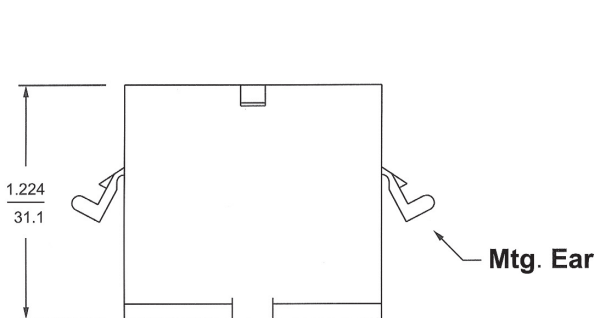
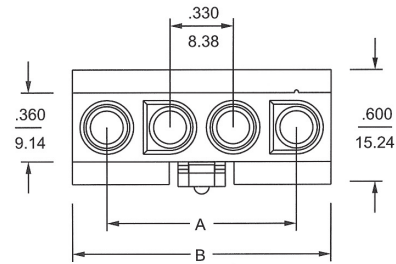


**8892-xxF**

**8892-xxF1: Without Mtg Ears**



**8892-xxM1: Without Mtg Ears**



**Recommended hole cutout**  
**Max. Panel Thickness: 2.29mm Max.**

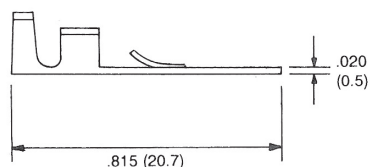
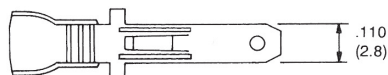
### Dimensional Information - in ( mm )

Circuits	Dim. A	Dim. B	Dim. C
1		0.360 ( 9.10)	0.521 (13.23)
2	0.330 ( 8.38)	0.690 (17.50)	0.851 (21.62)
3	0.660 (16.76)	1.020 (25.90)	1.181 (30.00)
4	0.990 (25.14)	1.350 (34.30)	1.511 (38.38)

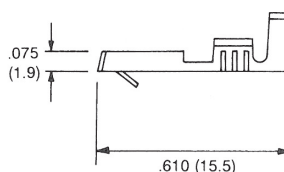
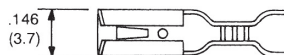


# .110" Series Terminal Housings

## 1200T Series Crimp Terminal



## 1100T Series Crimp Terminal



**inches**  
**mm**

P/N	Applicable wires	Insulation O.D.	Material	Thickness	Finish
1100T1	0.5mm <sup>2</sup> — 1.3mm <sup>2</sup> AWG#20 — #16	3.1mm MAX	Brass	0.25mm	None
1100T2	0.3mm <sup>2</sup> — 0.8mm <sup>2</sup> AWG#22 — #18	2.1mm MAX	Brass	0.25mm	None
1200T1	0.8mm <sup>2</sup> — 1.3mm <sup>2</sup> AWG#18 — #16	3.1mm MAX	Brass	0.5 mm	None
1200T2	0.2mm <sup>2</sup> — 0.5mm <sup>2</sup> AWG#24 — #20	1.8mm MAX	Brass	0.5 mm	None

## 7120-N Series Housing

- Material: ABS (7120-N)  
PA66 (7120-NL)
- 2, 3, 4, 6, 9 circuits available
- Standard color: natural
- Accepts 1200T terminal
- Mates with 7110-N series housing

## 7110-N Series Housing

- Material: ABS (7110-N)  
PA66 (7110-NL)
- 2, 3, 4, 6, 9 circuits available
- Standard color: natural
- Accepts 1100T terminal
- Mates with 7120-N series housing

Circuits	Max. Rated		Dimensional Information			
	Amps	Voltage	Plug		Receptacle	
2	5A	250V	7120-02 (W/O Lock) 7120-02L		7110-02 (W/O Lock) 7110-02L	
			<p><b>inches</b> <b>mm</b></p>		<p><b>inches</b> <b>mm</b></p>	

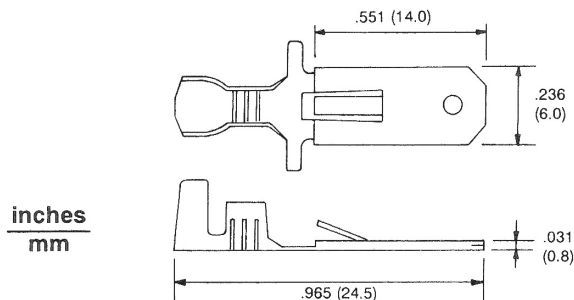


Circuits	Max. Rated		Dimensional Information			
	Amps	Voltage	Plug		Receptacle	
3	5A	250V	7120-03 (W/O Lock) 7120-03L		7110-03 (W/O Lock) 7110-03L	
			<u>inches</u> <u>mm</u>	<u>inches</u> <u>mm</u>	<u>inches</u> <u>mm</u>	<u>inches</u> <u>mm</u>
4	5A	250V	7120-04 (W/O Lock) 7120-04L		7110-04 (W/O Lock) 7110-04L	
			<u>inches</u> <u>mm</u>	<u>inches</u> <u>mm</u>	<u>inches</u> <u>mm</u>	<u>inches</u> <u>mm</u>
6	5A	250V	7120-06 (W/O Lock) 7120-06L		7110-06 (W/O Lock) 7110-06L	
			<u>inches</u> <u>mm</u>	<u>inches</u> <u>mm</u>	<u>inches</u> <u>mm</u>	<u>inches</u> <u>mm</u>
9	5A	250V	7120-09 (W/O Lock) 7120-09L		7110-09 (W/O Lock) 7110-09L	
			<u>inches</u> <u>mm</u>	<u>inches</u> <u>mm</u>	<u>inches</u> <u>mm</u>	<u>inches</u> <u>mm</u>

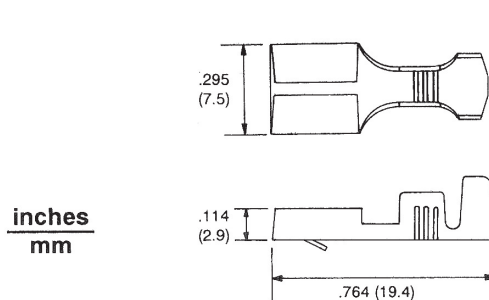


# 250 Series Terminal Housings

## 2600T Series Crimp Terminal



## 2500T Series Crimp Terminal



P/N	Applicable wires	Insulation O.D.	Material	Thickness	Finish
2500T1	2.0mm <sup>2</sup> — 3.3mm <sup>2</sup> AWG#14 — #12	4.0mm MAX	Brass	0.3mm	None
2500T2	0.8mm <sup>2</sup> — 1.3mm <sup>2</sup> AWG#18 — #16	3.1mm MAX	Brass	0.3mm	None
2500T3	0.3mm <sup>2</sup> — 0.8mm <sup>2</sup> AWG#22 — #18	2.1mm MAX	Brass	0.3mm	None
2600T1	1.3mm <sup>2</sup> — 2.0mm <sup>2</sup> AWG#16 — #14	3.5mm MAX	Brass	0.4mm	None
2600T2	0.8mm <sup>2</sup> — 1.3mm <sup>2</sup> AWG#18 — #16	3.1mm MAX	Brass	0.4mm	None
2600T3	0.3mm <sup>2</sup> — 0.8mm <sup>2</sup> AWG#22 — #18	2.1mm MAX	Brass	0.4mm	None

## 7260-N Series Housing

- Material: P.P
- (1), 2, 3, 4, 6, 8 circuits available
- Standard color: natural
- Accepts 2600T terminal
- Mates with 7250-N series housing

## 7250-N Series Housing

- Material: P.P
- (1), 2, 3, 4, 6, 8 circuits available
- Standard color: natural
- Accepts 2500T terminal
- Mates with 7260-N series housing

Circuits	Max. Rated		Dimensional Information			
	Amps	Voltage	Plug		Receptacle	
1	12A	250V	7260-01		7250-01	
2	12A	250V	7260-02		7250-02	



Circuits	Max. Rated		Dimensional Information			
	Amps	Voltage	Plug		Receptacle	
3	11A	250V	<p>7260-03</p> <p><u>inches</u> <u>mm</u></p>	<p>7250-03</p> <p><u>inches</u> <u>mm</u></p>		
4	9A	250V	<p>7260-04</p> <p><u>inches</u> <u>mm</u></p>	<p>7250-04</p> <p><u>inches</u> <u>mm</u></p>		
6	8A	250V	<p>7260-06</p> <p><u>inches</u> <u>mm</u></p>	<p>7250-06</p> <p><u>inches</u> <u>mm</u></p>		
8	7A	250V	<p>7260-08</p> <p><u>inches</u> <u>mm</u></p>	<p>7250-08</p> <p><u>inches</u> <u>mm</u></p>		
2	12A	250V	<p>7260-02L</p> <p><u>inches</u> <u>mm</u></p>	<p>7250-02L</p> <p><u>inches</u> <u>mm</u></p>		



Circuits	Max. Rated		Dimensional Information			
	Amps	Voltage	Plug		Receptacle	
3	11A	250V	<p>7260-03L</p> <p><u>inches</u> <u>mm</u></p>	<p>7250-03L</p> <p><u>inches</u> <u>mm</u></p>		
4	9A	250V	<p>7260-04L</p> <p><u>inches</u> <u>mm</u></p>	<p>7250-04L</p> <p><u>inches</u> <u>mm</u></p>		
6	8A	250V	<p>7260-06L</p> <p><u>inches</u> <u>mm</u></p>	<p>7250-06L</p> <p><u>inches</u> <u>mm</u></p>		
8	7A	250V	<p>7260-08L</p> <p><u>inches</u> <u>mm</u></p>	<p>7250-08L</p> <p><u>inches</u> <u>mm</u></p>		
1	12A	250V	<p>7260-01S</p> <p><u>inches</u> <u>mm</u></p>	<p>7250-01S</p> <p><u>inches</u> <u>mm</u></p>		





Circuits	Max. Rated		Dimensional Information			
	Amps	Voltage	Plug		Receptacle	
2	12A	250V	<p>7260-02S</p> <p><u>inches</u> <u>mm</u></p>	<p>7250-02S</p> <p><u>inches</u> <u>mm</u></p>		
3	11A	250V	<p>7260-03S</p> <p><u>inches</u> <u>mm</u></p>	<p>7250-03S</p> <p><u>inches</u> <u>mm</u></p>		
4	9A	250V	<p>7260-04S</p> <p><u>inches</u> <u>mm</u></p>	<p>7250-04S</p> <p><u>inches</u> <u>mm</u></p>		
6	8A	250V	<p>7260-06S</p> <p><u>inches</u> <u>mm</u></p>	<p>7250-06S</p> <p><u>inches</u> <u>mm</u></p>		
8	7A	250V	<p>7260-08S</p> <p><u>inches</u> <u>mm</u></p>	<p>7250-08S</p> <p><u>inches</u> <u>mm</u></p>		

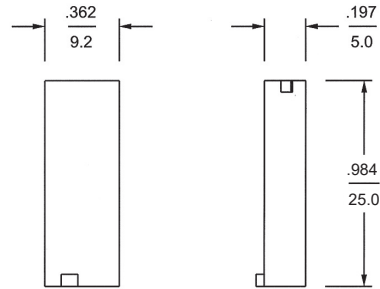


# Relay Block

## 2501 Series 250 Series Terminal Housing

inches  
mm

- Accepts ALEX 250Tx-0.8 terminal



### Ordering Information

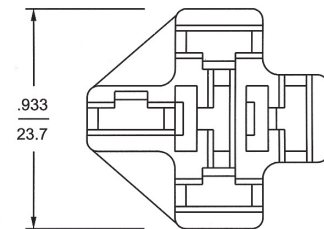
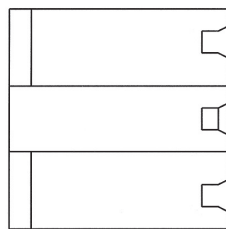
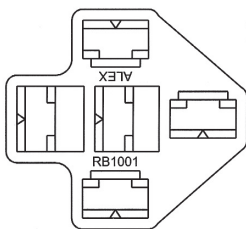
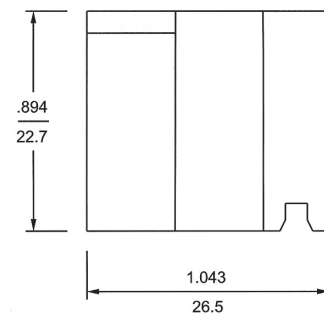
Part No.	Material
2501	UL 94V-2 nylon 66
2501-V0	UL 94V-0 nylon 66



## RB1001-2 Series Relay Connector

inches  
mm

- Material: UL 94V-2 nylon 66
- Standard color: Black
- Accepts ALEX 250Tx-57 terminal



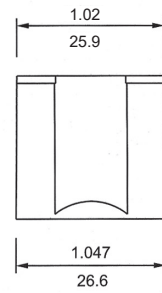
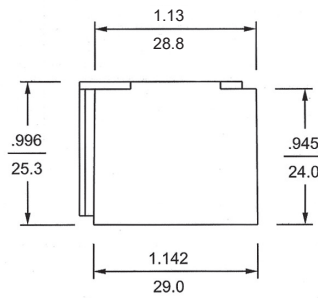
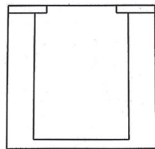
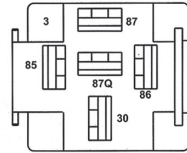


# Relay Block

## RB1002 Series Relay Connector

inches  
mm

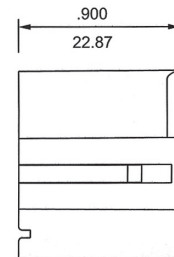
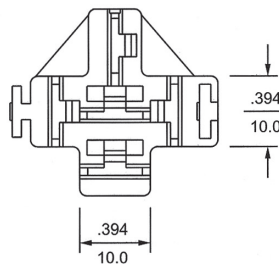
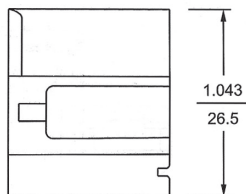
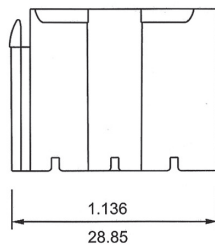
- Material: UL 94V-2 nylon
- Standard color: Black
- Accepts ALEX 250Tx-57 terminal



## RB1004 Series Relay Connector

inches  
mm

- Material: UL 94V-2 nylon
- Standard color: Black
- Accepts ALEX 2500T terminal

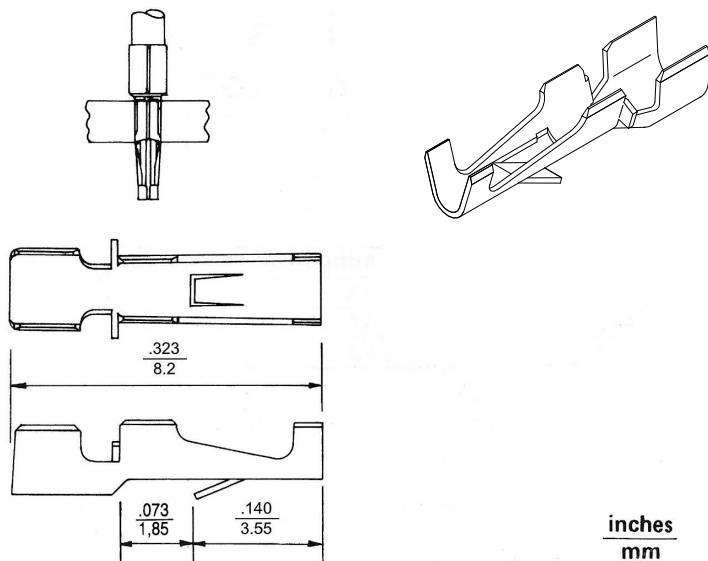




# Stand-Alone Board-In Crimp Terminals

## 59T Series P.C. Board Crimp Terminal

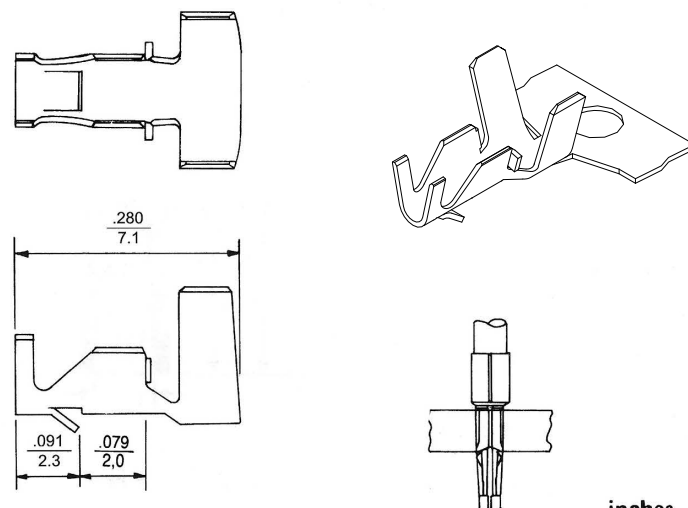
- Secures wire to P.C. board before wave soldering
- Rapid and economical means of hand wiring P.C. boards
- Wire solders directly to P.C. board
- No additional contact resistance
- Low profile
- Recommended P.C. board hole diameter  $\frac{.048'' \pm .003''}{1.2 \pm .08}$  for .062'' (1,57mm) thick P.C. board
- Accepts 22 ~ 26 AWG wire range
- Insulation diameter  $\phi$  1.3 ~ 1.7 max.



inches  
mm

## 52T Series P.C. Board Crimp Terminal

- Secures wire to P.C. board before wave soldering
- Rapid and economical means of hand wiring P.C. boards
- Wire solders directly to P.C. board
- No additional contact resistance
- Low profile
- Recommended P.C. board hole diameter  $\frac{.071 + .001}{1.8 + 0.1}$  for .062'' (1,57mm) thick P.C. board
- Accepts 18 ~ 22 AWG wire range
- Insulation diameter  $\phi$  3.05 max.
- Material: Tin plated brass

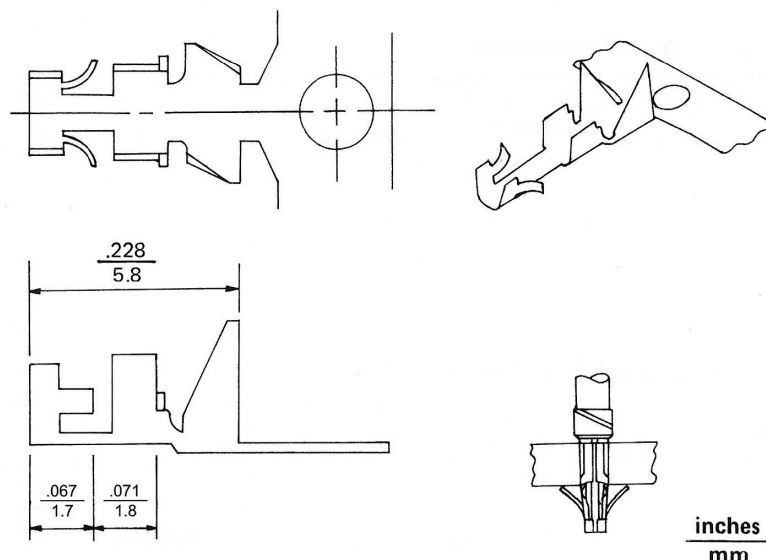


inches  
mm

## 5819T Series P.C. Board Crimp Terminal

### Features/Dimensions

- Secures wire to P.C. board before wave soldering
- Rapid and economical means of hand wiring P.C. boards
- Wire solders directly to P.C. board
- No additional contact resistance
- Low profile
- Recommended P.C. board hole diameter  $\frac{.071 + .001}{1.8 + 0.1}$  for .062'' (1,57mm) thick P.C. board
- Accepts #18 ~ #22 AWG wire range
- Insulation diameter  $\phi$  3.05 max.
- Material: Tin plated phosphor bronze



inches  
mm

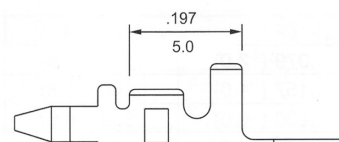
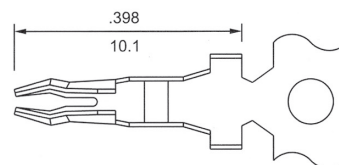


# Standard - Alone Board-In Crimp Terminal

## 66T P.C. Board Crimp Terminal

inches  
mm

- Secures wire to P.C.B. before wave soldering
- Rapid and economical means of hand wiring P.C.B.
- Wire solders directly to P.C.B.
- No additional contact resistance
- Low profile
- Material: Phosphor bronze
- Finished: Tin-plated
- Thickness: 0.25mm
- Wire range: #18 ~ #22 AWG
- Recommended P.C.B. hole diameter  $\varnothing 1.8^{+0.1}_{-0}$  mm
- Applicable P.C.B. thickness: 1.6mm



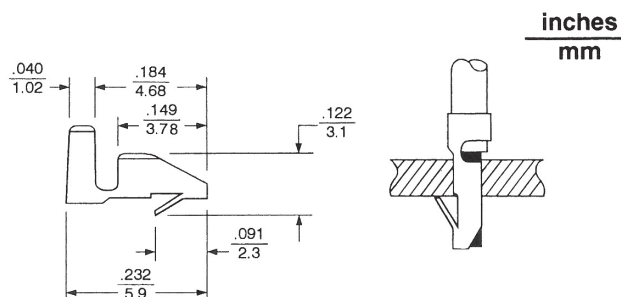


# Stand-Alone Board-In Crimp Terminals

## 97T Series

### P.C. Board Crimp Terminal

- Secure wire to P.C. Board before wave soldering
- Rapid and economical means of hand wiring P.C. Board
- Wire solders directly to P.C. Board
- No additional contact resistance
- Low profile
- Recommended P.C. Board hole diameter  $\phi$  1.8+0.1/-0 mm
- Applicable P.C. Board thickness 1.6mm
- Accepts wire size #18 ~ #24 AWG
- A maximum protrusion below the P.C. Board of 3.3mm
- Material: Pre-tinned Brass or Phos. Bronze available
- Q'ty: 5000 PCS/Reel

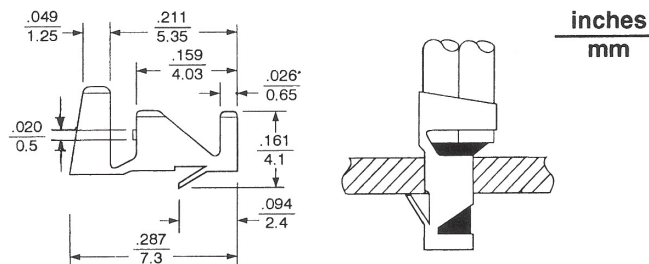


Part No	Material
97T-1252	Brass
97T-1552	Phosphor bronze

## 98T Series

### P.C. Board Multi-Crimp Terminal

- Secure wire to P.C. Board before wave soldering
- Rapid and economical means of hand wiring P.C. Board
- Wire solders directly to P.C. Board
- No additional contact resistance
- Low profile
- Recommended P.C. Board hole diameter  $\phi$  2.3+0.1/-0 mm
- Applicable P.C. Board thickness 1.6mm
- Accepts wire size #16 ~ #20 AWG or #18 AWG x2 max.



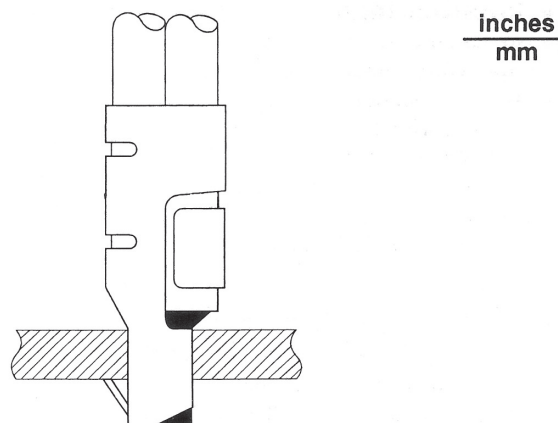
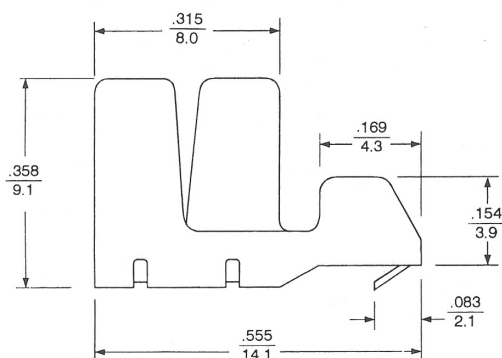
- A maximum protrusion below the P.C. Board of 3.0mm
- Material: Pre-tinned Brass or Phos. Bronze available
- Q'ty: 3500 PCS/Reel

## 99T Series

### P.C. Board Multi-Crimp Terminal

- Secure wire to P.C. Board before wave soldering
- Rapid and economical means of hand wiring P.C. Board
- Wire solders directly to P.C. Board
- No additional contact resistance
- Low profile
- Recommended P.C. Board hole diameter  $\phi$  3.2+0.1/-0 mm

- Applicable P.C. Board thickness 1.6mm
- Accepts wire size #12 ~ #14 AWG or bundle wire range: #18 AWG x4 max.
- A maximum protrusion below the P.C. Board of 2.2mm
- Material: Pre-tinned 0.3mm brass
- Q'ty: 1500 PCS/Reel

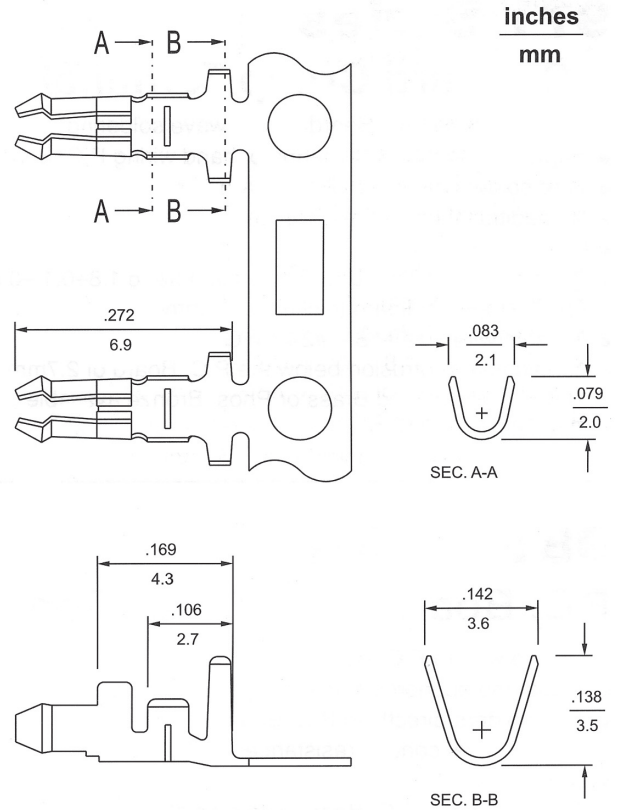




# Standard-Alone Board-In Crimp Terminal

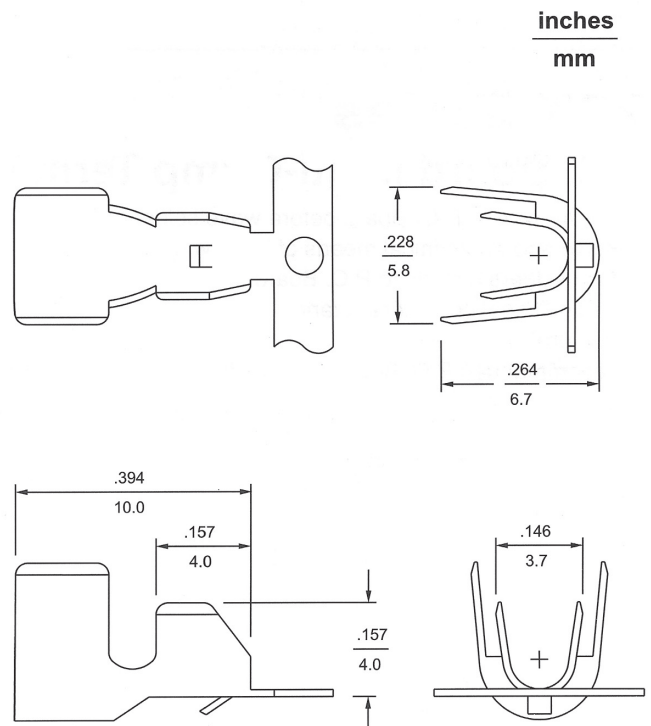
## 103T Series P.C. Board Crimp Terminal

- Secures wire to P.C.B. before wave soldering
- Rapid and economical means of hand wiring P.C.B.
- Wire solders directly to P.C.B.
- No additional contact resistance
- Low profile
- Material: Brass
- Finished: Tin-plated
- Thickness: 0.25mm
- Wire range: #18 ~ #22 AWG
- A max. protrusion below the P.C. Board of 1.5mm
- Recommended P.C.B. hole diameter  $1.8 \begin{smallmatrix} +0.1 \\ -0 \end{smallmatrix}$  mm
- Applicable P.C.B. thickness: 1.6mm



## 104T Series P.C. Board Crimp Terminal

- Secures wire to P.C.B. before wave soldering
- Rapid and economical means of hand wiring P.C.B.
- Wire solders directly to P.C.B.
- No additional contact resistance
- Low profile
- Material: Brass
- Finished: Tin-plated
- Thickness: 0.3mm
- Wire range: #18 ~ #22 AWG bundle wire, #18 x 4 max.
- Recommended P.C.B. hole diameter  $3.2 \begin{smallmatrix} +0.1 \\ -0 \end{smallmatrix}$  mm
- Applicable P.C.B. thickness: 1.6mm
- Roll form package
- Quantity: 2000 PCS/Reel

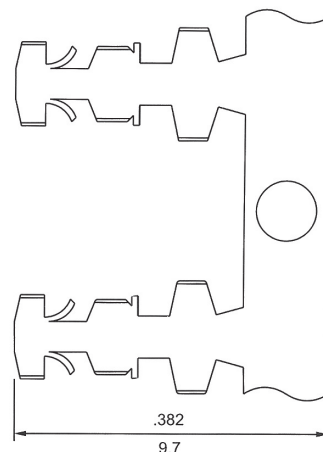




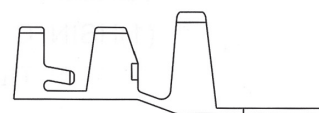
# Standard-Alone Board-In Crimp Terminal

## 5802T Series P.C. Board Crimp Terminal

- Secures wire to P.C.B. before wave soldering
- Rapid and economical means of hand wiring P.C.B.
- Wire solders directly to P.C.B.
- No additional contact resistance
- Low profile
- Material: Phosphor bronze
- Finished: Tin-plated
- Thickness: 0.2mm
- Wire range: #18 ~ #22 AWG
- A max. protrusion below the P.C. Board of 2.2mm
- Recommended P.C.B. hole diameter  $\varnothing 1.8^{+0.1}_{-0}$  mm
- Applicable P.C.B. thickness: 1.57mm

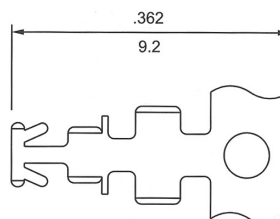


inches  
mm

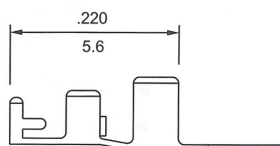


## 5820T Series P.C. Board Crimp Terminal

- Secures wire to P.C.B. before wave soldering
- Rapid and economical means of hand wiring P.C.B.
- Wire solders directly to P.C.B.
- No additional contact resistance
- Low profile
- Material: Phosphor bronze
- Finished: Tin-plated
- Thickness: 0.2mm
- Wire range: #22 ~ #24 AWG
- Recommended P.C.B. hole diameter  $\varnothing 1.6^{+0.05}_{-0}$  mm
- Applicable P.C.B. thickness: 1.57mm



inches  
mm





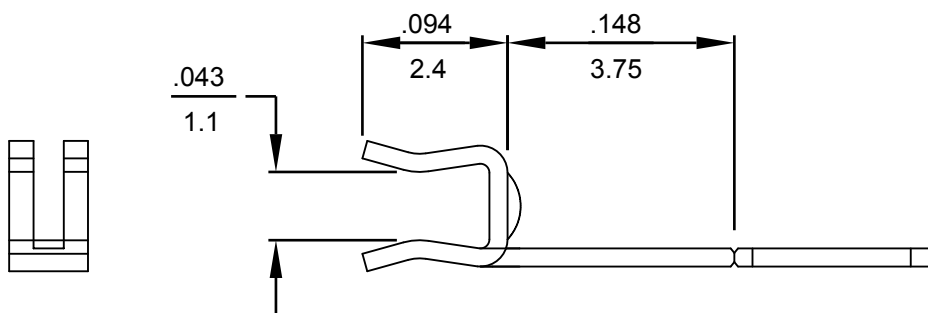
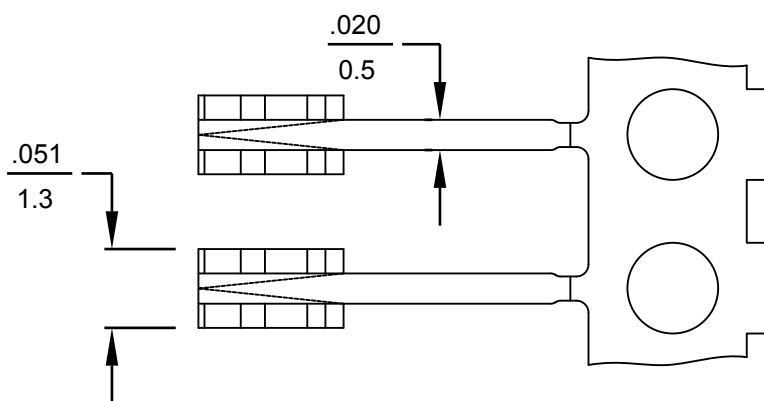


# Module Pin

## 3100

### Crimp Terminal

- Material: Phosphor bronze
- Finished: Tin-plated
- Thickness: 0.3mm
- Quantity: 18000 PCS/Reel



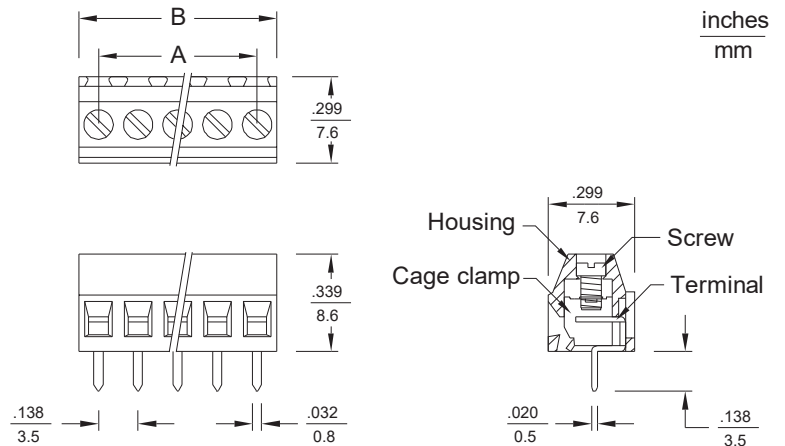
# .138" (3.5mm) P. C. B. Terminal Block

## Specification:

- Current rating: 10A
- Voltage rating: 300V AC
- Insulation resistance: 1000MΩ Min. at DC 500V
- Dielectric withstanding voltage: 2000V AC/minute
- Operation temperature range: -55°C ~ 115°C

## TB3501 Terminal Block

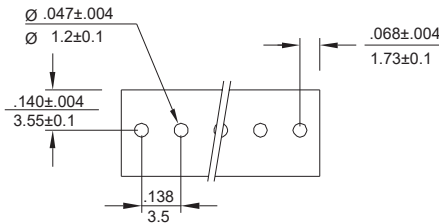
- 2 ~ 26 circuits available
- Housing material: UL 94V-0 polyamide 66, Green
- Screw: M2.0 yellow zine-plated steel
- Cage clamp & terminal: Tin-plated brass
- Screws torque: 1 In-Lb
- Wire range: #16 ~ #24 AWG



### Dimensional Information ( mm )

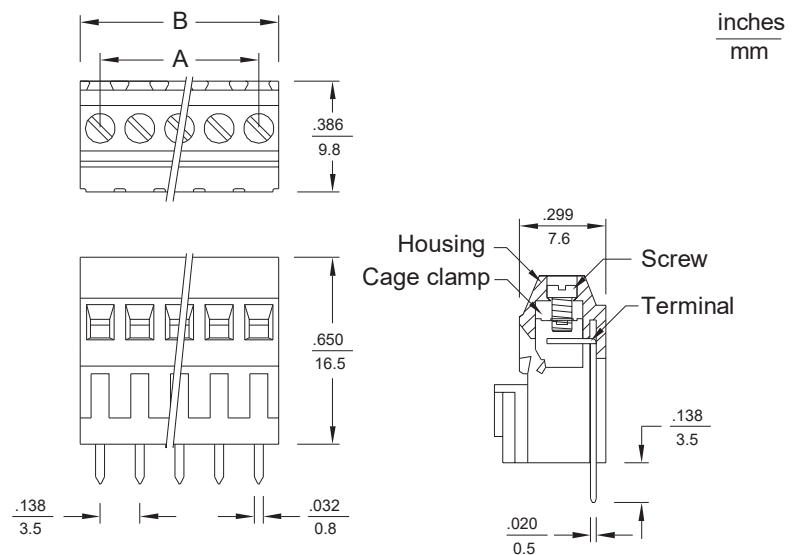
Circuits	Dim. A	Dim. B
N	3.5 x ( N - 1 )	3.5 x N

&& N = 2 ~ 26



## TB3502 Terminal Block

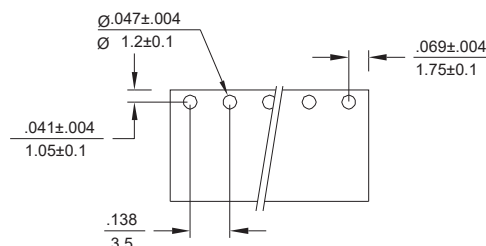
- 2 ~ 26 circuits available
- Housing material: UL 94V-0 polyamide 66, Green
- Screw: M2.0 yellow zine-plated steel
- Cage clamp & terminal: Tin-plated brass
- Screws torque: 1 In-Lb
- Wire range: #16 ~ #24 AWG



### Dimensional Information ( mm )

Circuits	Dim. A	Dim. B
N	3.5 x ( N - 1 )	3.5 x N

&& N = 2 ~ 26





# .138"(3.5mm) Pluggable Type Terminal Block

## Specification:

- Current rating: 8A
- Voltage rating: 300V AC
- Insulation resistance: >1000MΩ or more at DC500V
- Operation temperature range: -55°C ~ 115°C

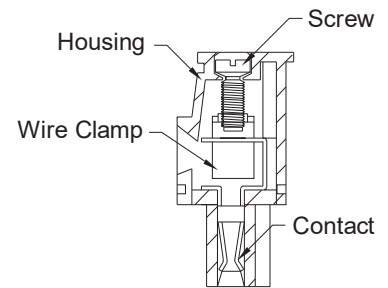
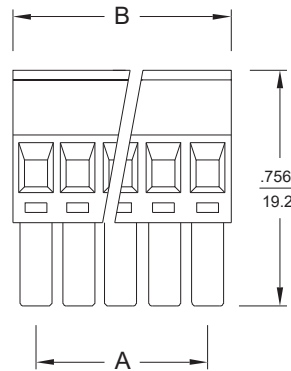
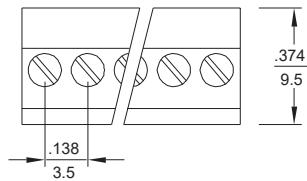
## TB3503 Terminal block

- 2 ~ 24 circuits available
- Housing material: UL 94V-0 nylon 66, Green
- Screw: M2.0 yellow zinc-plated steel
- Wire Clamp: Nickel-plated brass
- Contact: Tin-plated phosphor bronze
- Screws torque: 1 In-Lb
- Wire range: #16 ~ #28 AWG

### Dimensional Information ( mm )

Circuits	Dim. A	Dim. B
N	3.5 x ( N - 1 )	3.5 x N + 0.1

&& N = 2 ~ 24



inches  
mm

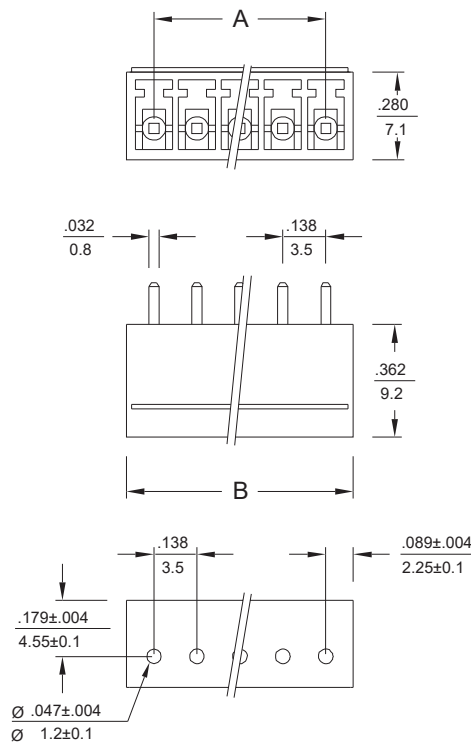
## TB3504 Terminal block

- 2 ~ 24 circuits available
- Material: UL 94V-0 nylon 66, Green
- Contact material: Tin-plated brass

### Dimensional Information ( mm )

Circuits	Dim. A	Dim. B
N	3.5 x ( N - 1 )	3.5 x N + 1

&& N = 2 ~ 24



inches  
mm



# .197"(5.0mm) Pluggable Type Terminal Block

## Specification:

- Current rating: 12A
- Voltage rating: 250V AC
- Insulation resistance: >1000MΩ at DC 500V
- Operation temperature range: -55°C ~ 115°C

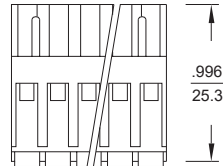
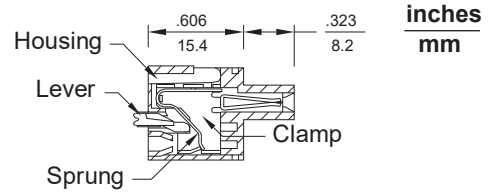
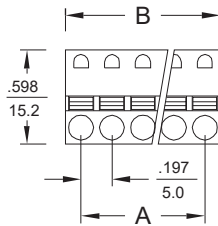
## TB5001 Terminal block

- 2 ~ 24 circuits available
- Housing material: UL 94V-0 ployamide 66, Green
- Clamp: Nickel-plated phosphor bronze
- Sprung: Zinc-plated steel
- Lever: UL 94V-0 ployamide 66, Orange
- Wire range: #12 ~ #16 AWG

### Dimensional Information ( mm )

Circuits	Dim. A	Dim. B
N	5 x (N - 1)	N x 5 + 0.3

&& N = 2 ~ 24



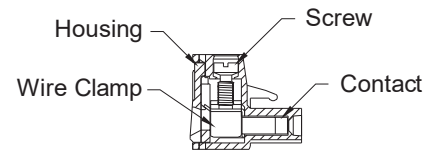
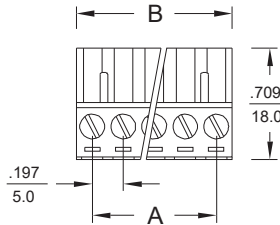
## TB5002 Terminal block

- 2 ~ 24 circuits available
- Housing material: UL 94V-0 ployamide 66, Green
- Screw: Nickel-plated M2.6 steel
- Wire clamp: Nickel-plated brass
- Contact: Tin-plated phosphor bronze
- Screws torque: 7 In-Lb
- Wire range: #12 ~ #16 AWG

### Dimensional Information ( mm )

Circuits	Dim. A	Dim. B
N	5 x (N - 1)	N x 5

&& N = 2 ~ 24



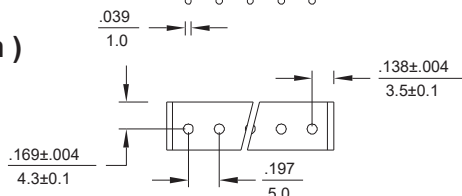
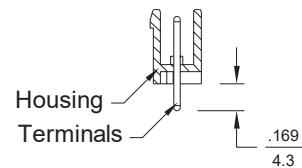
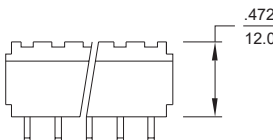
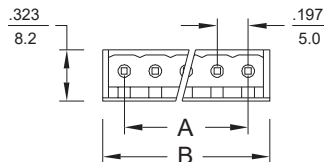
## TB5003 Terminal block

- 2 ~ 24 circuits available
- Housing material: UL 94V-0 ployamide 66, Green
- Terminals: Tin-plated Brass

### Dimensional Information ( mm )

Circuits	Dim. A	Dim. B
N	5 x (N - 1)	N x 5 + 2

&& N = 2 ~ 24





# .197"(5.0mm) Barrier Type Terminal Block

## Specification:

- Current rating: 11A
- Voltage rating: 250V AC
- Insulation resistance: >1000MΩ at DC 500V
- Dielectric withstanding voltage: 2000V AC/minute
- Operation temperature range: -55°C ~ 100°C

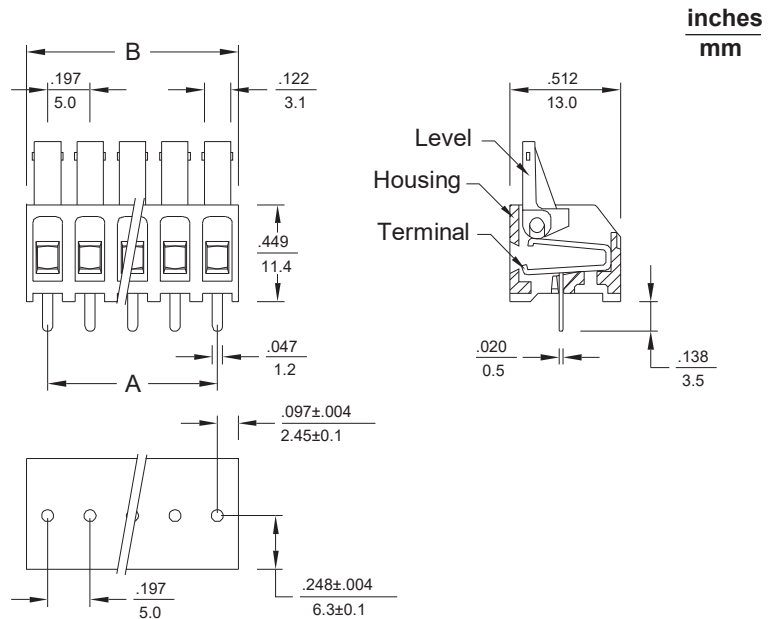
## TB5004 Terminal block

- 2 ~ 24 circuits available
- Housing material: PBT, Green
- Terminal: Tin-plated brass
- Lever: UL 94V-0 polyamide 66, White
- Wire range: #18 ~ #22 AWG

### Dimensional Information ( mm )

Circuits	Dim. A	Dim. B
N	5 x ( N - 1 )	N x 5 + 0.2

&& N = 2 ~ 24



# .394"(10.0mm) Barrier Type Terminal Block

## Specification:

- Current rating: 10A
- Voltage rating: 250V AC
- Insulation resistance: DC 500V 1000MΩ Min.
- Dielectric withstanding voltage: 2000V AC/minute
- Operation temperature range: -55°C ~ 95°C

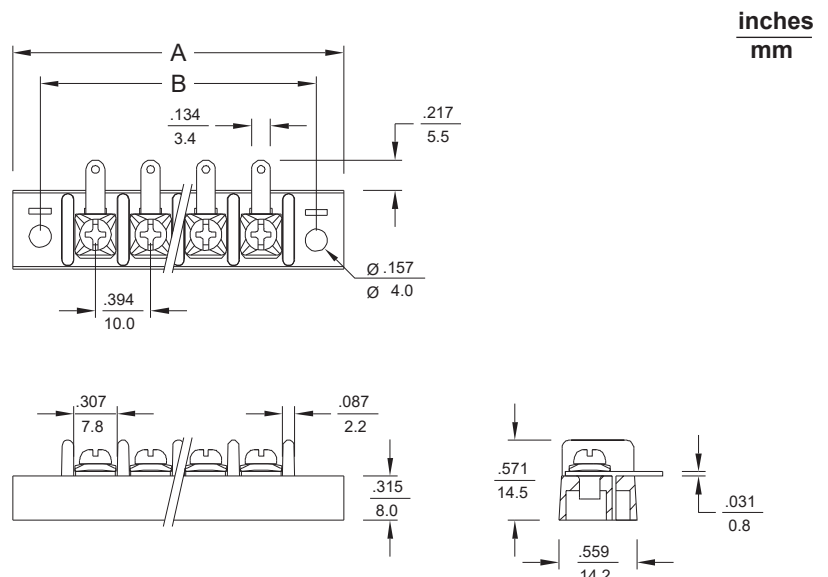
## TB1001 Terminal block

- 2 ~ 26 circuits available
- Insulator: UL 94V-0 Polyamide 66, Black
- Screw: M3.0 Nickel plated steel
- Contact: Tin-plated Brass
- Screws torque: 7 In-Lb
- Wire range: #14 ~ #22 AWG

### Dimensional Information ( mm )

Circuits	Dim. A	Dim. B
N	( N + 1 ) x 10	( N + 2 ) x 10 + 0.6

&& N = 2 ~ 26





# .079"(2.0mm) Waterproof Connector

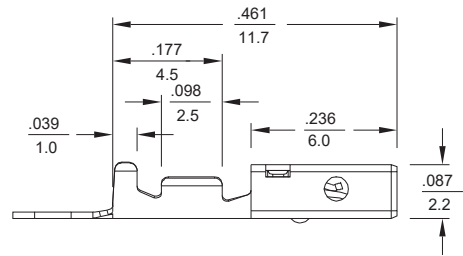
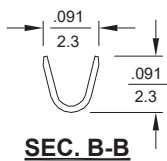
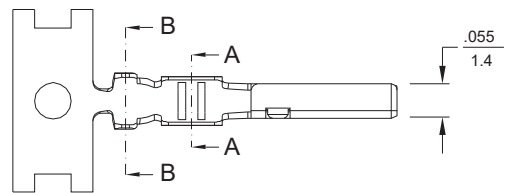
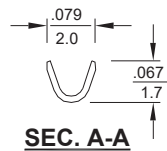
## Specification:

- Current rating: 3A AC, DC ( #22 AWG )
- Voltage rating: 250V AC, DC
- Insulation resistance: 1000M $\Omega$  Min.
- Dielectric withstanding voltage: 1500V AC/minute
- Contact resistance: Initial value/10m $\Omega$  Max.  
After environmental testing/20m $\Omega$  Max.
- Ambient temperature range: -40 $^{\circ}$ C ~ 105 $^{\circ}$ C
- UL File No.: E114003
- Waterproof grade: IPX7 of IEC 60529

## WPF2001T-R Receptacle Contact Terminal

inches  
mm

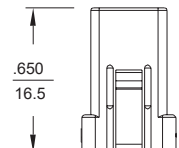
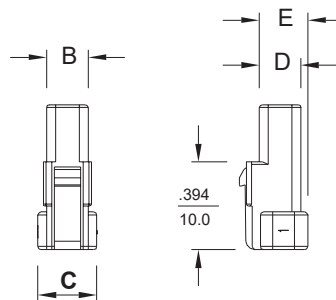
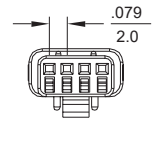
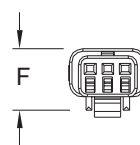
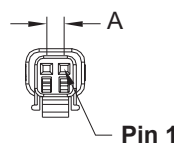
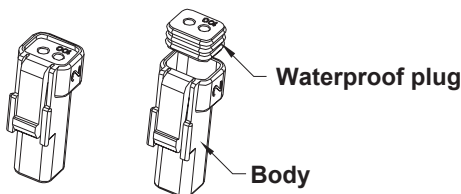
- Material: Phosphor bronze
- Finished: Tin-plated
- Wire range: #22 ~ #24 AWG
- Insulation O. D.:  $\varnothing$ 1.7mm Max.
- Used in ALEX WPF2001H-xxR housing
- Thickness: 0.25mm



## WPF2001H-xxR Series Receptacle Housing

inches  
mm

- 2 ~ 4 circuits available
- Body: PBT + 15%GF, White
- Waterproof plug: Oil silicone, Light blue
- Accepts ALEX WPF2001T-R terminal
- Mates with ALEX WPF2001H-xxT housing
- Disconnectable crimp style



### Dimensional Information - in ( mm )

Circuits	Dim. A	Dim. B	Dim. C	Dim. D	Dim. E	Dim. F
2	0.079 (2.0)	0.185 (4.7)	0.264 ( 6.7)	0.185 (4.7)	0.217 (5.5)	0.276 (7.0)
3	0.157 (4.0)	0.264 (6.7)	0.343 ( 8.7)	0.185 (4.7)	0.217 (5.5)	0.276 (7.0)
4	0.236 (6.0)	0.343 (8.7)	0.421 (10.7)	0.185 (4.7)	0.217 (5.5)	0.276 (7.0)

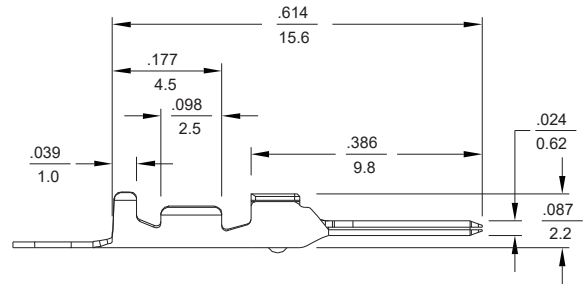
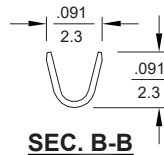
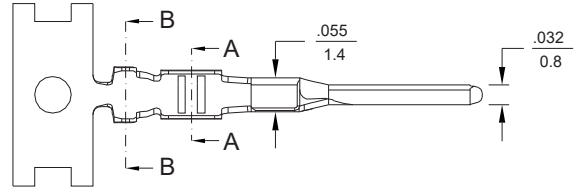
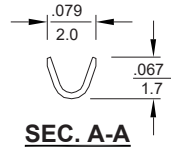


# .079"(2.0mm) Waterproof Connector

## WPF2001T-T Tab Contact Terminal

inches  
mm

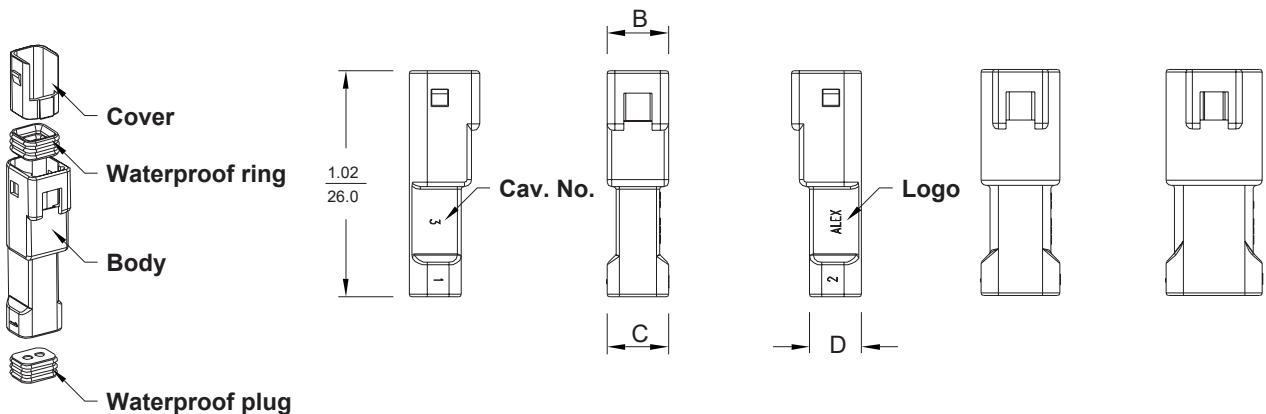
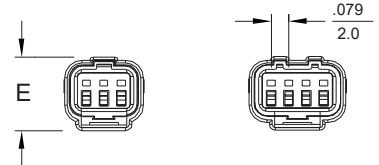
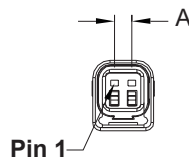
- Material: Phosphor bronze
- Finished: Tin-plated
- Wire range: #22 ~ #24 AWG
- Insulation O. D.: Ø1.7mm Max.
- Used in ALEX WPF2001H-xxT housing
- Thickness: 0.25mm



## WPF2001H-xxT Series Tab Housing

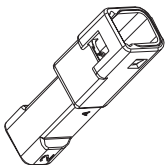
inches  
mm

- 2 ~ 4 circuits available
- Body: PBT + 15%GF, White
- Cover: PBT + 15%GF, Orange
- Waterproof ring: Oil silicone, Blue
- Waterproof plug: Oil silicone, Light blue
- Accepts ALEX WPF2001T-T terminal
- Mates with ALEX WPF2001H-xxR housing
- Inner-housing lock construction
- Disconnectable crimp style



### Dimensional Information - in ( mm )

Circuits	Dim. A	Dim. B	Dim. C	Dim. D	Dim. E
2	0.079 (2.0)	0.276 ( 7.0)	0.276 ( 7.0)	0.232 (5.9)	0.319 (8.1)
3	0.157 (4.0)	0.354 ( 9.0)	0.354 ( 9.0)	0.232 (5.9)	0.331 (8.4)
4	0.236 (6.0)	0.433 (11.0)	0.433 (11.0)	0.232 (5.9)	0.331 (8.4)



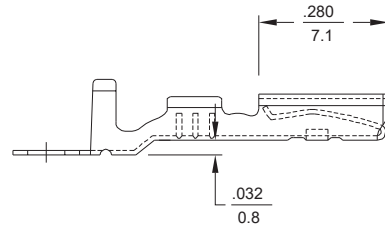
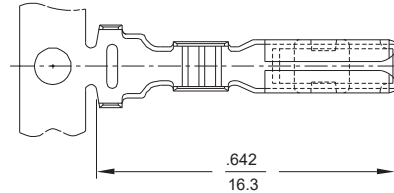


# .236" (6.0mm) Waterproof Connector

## WPF6001T-R Receptacle Contact Terminal

inches  
mm

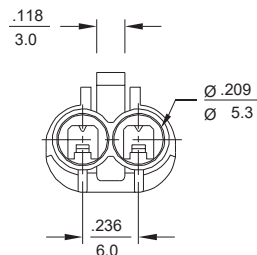
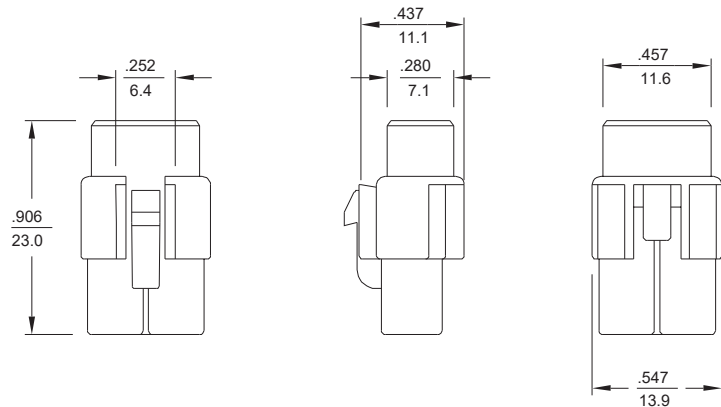
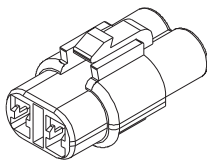
- Material: Brass
- Finished: Tin-plated
- Wire range: #20 ~ #22 AWG
- Used in WPF6001H-02R housing



## WPF6001H-02R Receptacle Housing

inches  
mm

- Body: PBT, Black
- Accepts WPF6001T-R terminal
- Mates with WPF6001H-02T housing





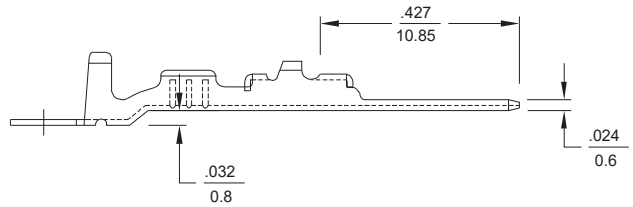
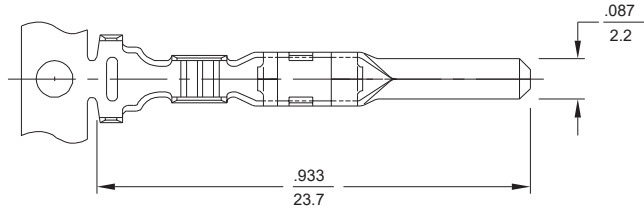


# .236" (6.0mm) Waterproof Connector

## WPF6001T-T Tab Contact Terminal

inches  
mm

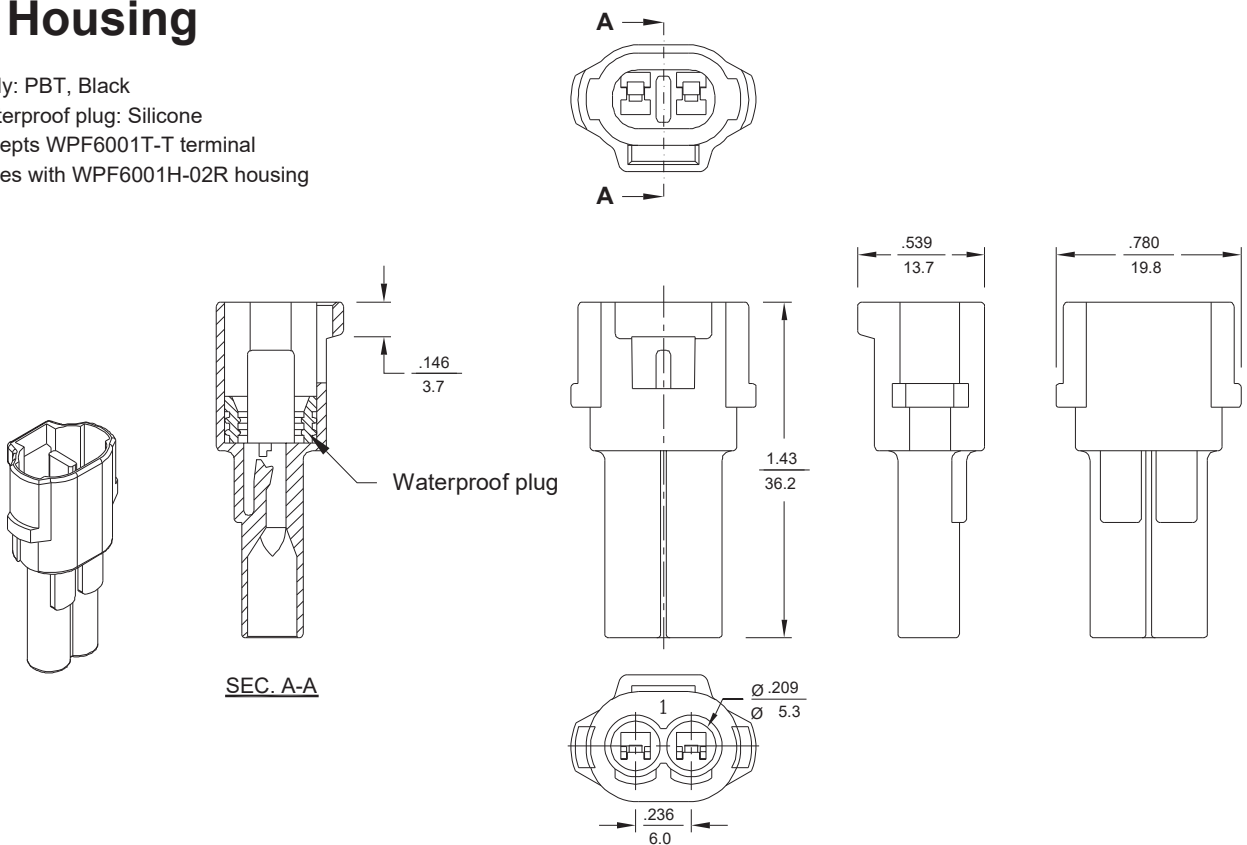
- Material: Brass
- Finished: Tin-plated
- Wire range: #20 ~ #22 AWG
- Used in WPF6001H-02T housing



## WPF6001H-02T Tab Housing

inches  
mm

- Body: PBT, Black
- Waterproof plug: Silicone
- Accepts WPF6001T-T terminal
- Mates with WPF6001H-02R housing

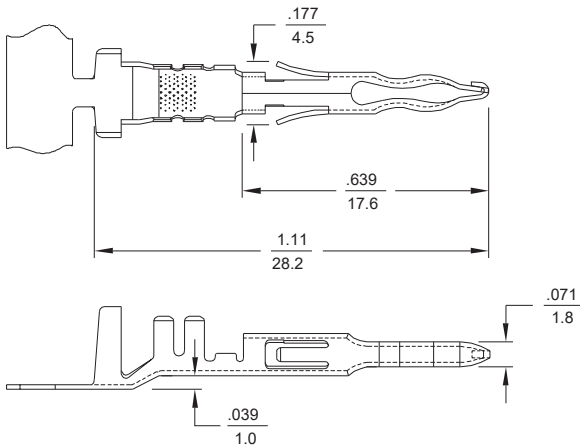




# .303" (7.7mm) Waterproof Connector

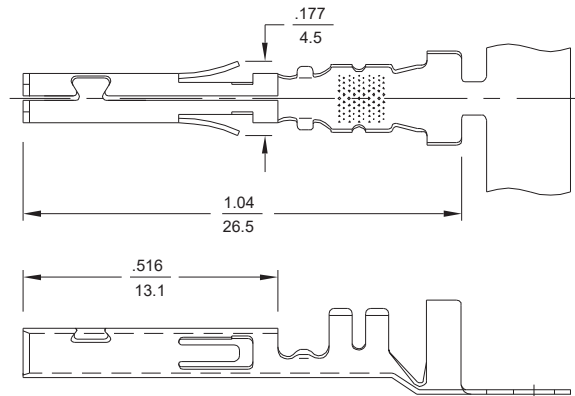
## WPF7701T-T Tab Contact Terminal

- Material: Brass
- Finished: Tin-plated
- Wire range: #14 ~ #16 AWG



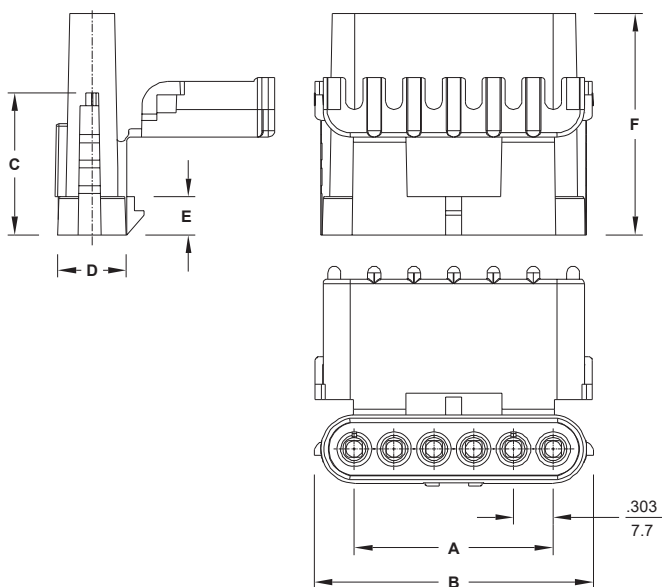
## WPF7701T-R Receptacle Contact Terminal

inches  
mm



## WPF7701H-xxT Tab Housing

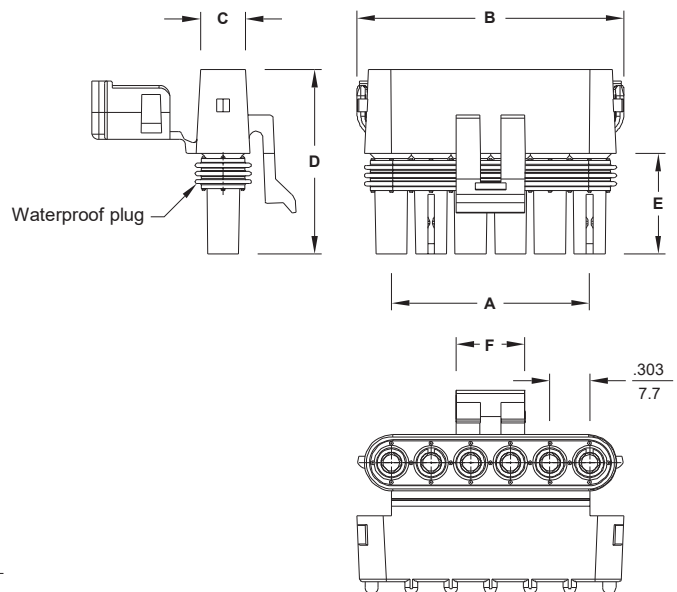
- Body: PA6, Black
- Accepts WPF7701T-T terminal
- Mates with WPF7701H-xxR housing



## WPF7701H-xxR Receptacle Housing

inches  
mm

- Body: PA6, Black
- Accepts WPF7701T-R terminal
- Mates with WPF7701H-xxT housing



Dimensional Information - in (mm)

Circuits	Dim. A	Dim. B	Dim. C	Dim. D	Dim. E	Dim. F
2	0.551 ( 14.0)	0.900 (22.85)	1.08 (27.45)	0.530 (13.45)	0.293 (7.45)	1.68 (42.75)
6	1.68 ( 42.6)	2.090 ( 53.2)	1.07 (27.25)	0.520 ( 13.2)	0.293 (7.45)	1.67 ( 42.4)

Dimensional Information - in (mm)

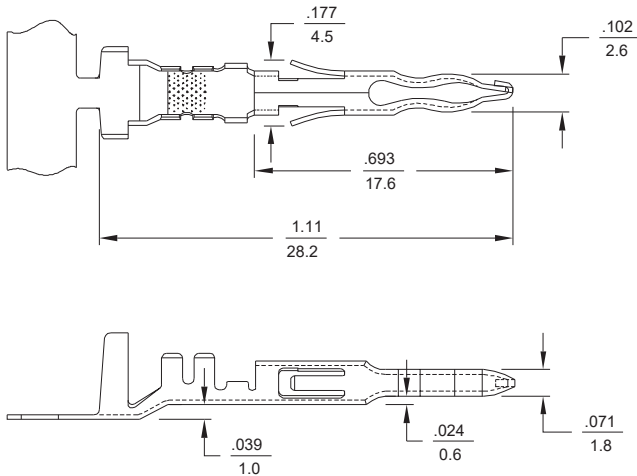
Circuits	Dim. A	Dim. B	Dim. C	Dim. D	Dim. E	Dim. F
2	0.551 ( 14.0)	.813 (20.65)	.346 ( 8.8)	1.42 ( 36.1)	.787 ( 20.0)	.437 ( 11.1)
6	1.68 ( 42.6)	2.04 ( 51.7)	.344 ( 8.75)	1.41 (35.85)	.772 ( 19.6)	.530 (13.45)



# .303" (7.7mm) Waterproof Connector

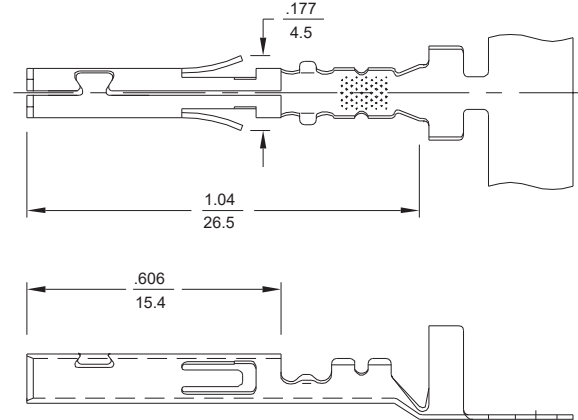
## WPF7702T-T Tab Contact Terminal

- Material: Brass
- Finished: Tin-plated
- Wire range: #14 ~ #16 AWG



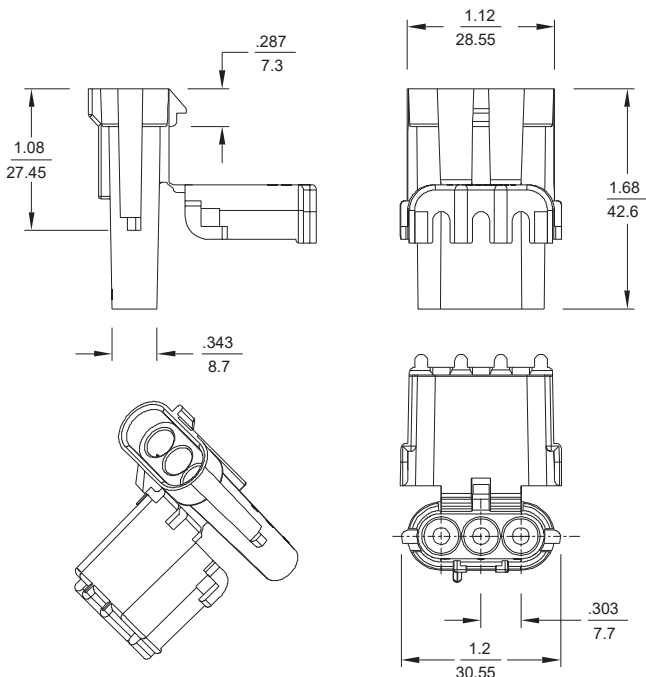
## WPF7702T-R Receptacle Contact Terminal

inches  
mm



## WPF7701H-03T Tab Housing

- Body: PA6, Black
- Accepts WPF7702T-T terminal
- Mates with WPF7701H-03R housing



## WPF7701H-03R Receptacle Housing

inches  
mm

- Body: PA6, Black
- Waterproof plug: Oil silicone, Green
- Accepts WPF7702T-R terminal
- Mates with WPF7701H-03T housing

