

ALEX PART NO. INDEX (I)

.020" (0.5 mm) Pitch Connector

7918	1
7919	2
7901	3
7902	4
7903	5
7904	6

.031" (0.8 mm) Pitch Connector

9080 / 9081 / 9082	7
--------------------	---

.039" (1.0 mm) Pitch Connector

7905	8
7906	9
7907	10
7908	11
1001T / 1002	12
1003 / 1004	13
1005 / 1006	14
1007	15

.047" (1.2 mm) Pitch Connector

1090 / 1098	16
1201T / 1202 / 1203	17

.049" (1.25 mm) Pitch Connector

7909	18
7910	19
7913 / 7914 / 7915	20
9811T / 9812	21
9813 / 9814	22
9817 / 9818	23
9815 / 9816	24
9826T / 9827 / 9828	25
9830T / 9831 / 9832	26
9851T / 9852 / 9853	27
9858T / 9821	28
9825T / 9822	29
9847 / 9848	30
9849 / 9850	31
9861T / 9862	32
9871T / 9872	33
9873 / 9874	34

.050" (1.27 mm) Pitch Connector

9901 / 9902	35
9928	36
9917 / 9921	37
9903 / 9939	38
9905 / 9906	39
9919 / 9918	40

9907 / 9944	41
9908	42
9915 / 9916	43
7581T / 7582-05	44

.059" (1.5 mm) Pitch Connector

1501T / 1502	45
1503 / 1504	46
1505 / 1506 / 1507	47
1511T / 1512	48
1513 / 1514	49
1515 / 1516	50
1530T / 1531	51
1532T / 1533	52

.079" (2.0 mm) Pitch Connector

2011T / 2012	53
2013 / 2014	54
2015T / 2016	55
2017 / 2018	56
2017-xxSM / 2018-xxSM	57
4803 / 4804	58
9661	59
9662	60
4704 / 4705	61
4706	62
2025T / 2026	63
2027 / 2028	64
2046 / 2047 / 2048	65
2049 / 2050	66
2031T / 2032	67
2033 / 2034	68
2035T / 2036	69
2037 / 2038	70
2040T / 2041 / 2042-xx-2	71
2043-xx-2 / 2044	72
45T / 4501	73
4502 / 4503	74
4504 / 4505	75
4506 / 9909	76
9934-xx-08 / 4521	77
4522 / 4523	78
4524 / 4525	79
4527	80
9910 / 9935	81
J-200	82
9512T / 9516	83
9513T / 9515	84
920T / 9020	85
921T / 9021	86
25T / 2564	87

ALEX PART NO. INDEX (I)

2567 / 2568	88
26T / 1822	89
1823 / 1824	90
51T / 8811	91
8812 / 8813	92
53T / 2503	93
2504 / 2505	94
2531T / 2532	95
2533 / 2534	96
2532-xxS / 2533-xxS	97
2534-xxS / 2532C	98
2551T / 2552	99
2553 / 2554	100
2571T / 2572 / 2573	101
2594T / 2595	102
2580T / 2581	103
2582 / 2583	104
8820T / 8821	105
8822 / 8823	106
8822-xxSM / 8823-xxSM	107
8824 / 8825 / 8826	108
54T / 2502	109
41T / 2540	110
854T / 8854	111
855T / 8855	112
925T / 9025	113
926T / 9026	114

.100" (2.54 mm) Pitch Connector

65T / 6501	115
6502 / 6503	116
6504 / 6508	117
6509 / 9923-xxx-1	118
9941 / 6521	119
6522 / 6523	120
9920 / 9922	121
6510	122
6525	123
9927 / 9904	124
J-254	125
6505 / 6506 / 6507	126
2510 / 2512	127
2513 / 2513-NL	128
2510-xxZ	129
2514 / 2515 / 2514-xxSM	130
4802	131
4800 / 4801	132
4805	133
4807	133 - 134
9663	135
4700 / 4701	136
4702	137

9558T	138
9566	139 - 141
9558TP-1 / 9566-xxx-1	142
9543	143
9553	144
9543-xxP-LCP / 9553-xxP-LCP	145
9559T / 9567	146
7911	147
7912	148
9254	149
254C	150
9911 / 9912	151
9913 / 9914	152
9938	153

.118" (3.0 mm) Pitch Connector

3030T / 3025	154
3031T / 3020	155
3045 / 3046	156
3047	157
3047-xxRC-x-P-dip	158
3048	159
3049 / 3050	160
3051 / 3052	161
3025-xxS / 3020-xxS	162
3045-xxS-LCP	163
3046-xxS-LCP	164
3047-xxS	165
3048-xxS	166

.126" / .157" (3.2 mm / 4.0 mm) Pitch Connector

3240T	167
9532 / 9540	168

.138" (3.5 mm) Pitch Connector

3501T / 3503-02	169
3502T / 3504-02	170
3505-02 / 3506-02	171
3511T / 3512	172
3513 / 3514	173
3521T / 3522	174
3523	175
3524 / 3522-xxS	176
3523-xxS	177
3524-xxS / 3522C	178

.156" (3.96 mm) Pitch Connector

3594T / 3595	179
23T / 24T	180
8639 / K-396-2	181
24T-1xU4 / 8639-xx-R	182
8673 / 8674	183

ALEX PART NO. INDEX (I)

8671 / 8672	184
94T / 95T / 8095	185
8675 / 8676 / 8677	186
96T / 9396	187
9397 / 9398	188
9255	189
3960 / 3961	190
255C	150

.157" (4.0 mm) Pitch Connector	
4001T / 4002 / 4003	191
4004	192

.165" (4.2 mm) Pitch Connector	
4256TP2-A / 9357-06-B	193
9357-08-B	194
4256T / 4257T	195
9357 / 9358	196 - 198
9359	199 - 202
9360	203 - 206
9360-xxP	207 - 208
9361	209
9362	210
9363	211
9364	212
9365	213
9357-xxS / 9358-xxS	214
9359-xxS / 9360-xxS	215

.200" (5.08 mm) Pitch Connector	
8097	216
8081 / 8082	217
8079 / 8080	218
61T / 5050	219
62T / 6060 / 9090	220
5050-xxW	221
870156 / 156C	222

.2224" (5.7 mm) Pitch Connector	
5701T / 5702	223
5703 / 5704	224

.250" (6.35 mm) Pitch Connector	
70T / 71T / 9635	225 - 231
9635-xxW	232 - 237
9635-xxWR	238

.295" (7.5 mm) / .197" (5.0 mm) Pitch Connector	
8099	239
8089 / 8086	240
8087 / 8088	241

8830T / 8831 / 8832	242
---------------------	-----

.315" (8.0 mm) / .394" (10.0 mm) Pitch Connector	
8835T / 8836 / 8837	243

.039" (1.0 mm) Diameter Connector	
7003T / 7004T / 6612	244 - 246

.051" (1.3 mm) Diameter Connector	
7007T / 7008T / 6613	247 - 248

.062" (1.58 mm) Diameter Connector	
55T / 56T / 7725	249 - 250
7625 / 7604	251 - 252

.079" (2.0 mm) Diameter Connector	
7005T / 7006T / 6420	253 - 254

.093" (2.36 mm) Diameter Connector	
80T / 81T / 8891	255 - 256
8891-xxW	257
7619 / 7545 / 7396 / 7490 / 7163	258
7653 / 7261 / 7292 / 7360 / 7375	259

.127" (3.23 mm) Diameter Connector	
82T / 83T	260
8892	261

.110" Series	
1100T / 1200T / 7110 / 7120	262 - 263

.250" Series	
2500T / 2600T / 7250 / 7260	264 - 267
2501 / RB1001-2	268
RB1002 / RB1004	269

Standard-Alone Board-In Crimp Terminal	
59T / 52T / 5819T	270
66T	271
97T / 98T / 99T	272
103T / 104T	273
5802T / 5820T	274

Module Pin	
3100	275

Terminal Block	
TB3501 / TB3502	276
TB3503 / TB3504	277
TB5001 / TB5002 / TB5003	278
TB5004 / TB1001	279

ALEX PART NO. INDEX (II)

Part No.	Page	Part No.	Page	Part No.	Page	Part No.	Page
1001T	12	2034	68	2581	103	4004	192
1002	12	2035T	69	2582	104	41T	110
1003	13	2036	69	2583	104	4256T	195
1004	13	2037	70	2594T	102	4256TP2-A	193
1005	14	2038	70	2595	102	4257T	195
1006	14	2040T	71	26T	89	45T	73
1007	15	2041	71	2600T	264	4501	73
103T	273	2042-xx-2	71			4502	74
104T	273	2043-xx-2	72	3020	155	4503	74
1090	16	2044	72	3020-xxS	162	4504	75
1098	16	2046	65	3025	154	4505	75
1100T	262	2047	65	3025-xxS	162	4506	76
1200T	262	2048	65	3030T	154	4521	77
1201T	17	2049	66	3031T	155	4522	78
1202	17	2050	66	3045	156	4523	78
1203	17	23T	180	3045-xxS-LCP	163	4524	79
1501T	45	24T	180	3046	156	4525	79
1502	45	24T-1xU4	182	3046-xxS-LCP	164	4527	80
1503	46	25T	87	3047	157	4700	136
1504	46	2500T	264	3047-xxS	165	4701	136
1505	47	2501	268	3047-xxRC-x-P-dip	158	4702	137
1506	47	2502	109	3048	159	4704	61
1507	47	2503	93	3048-xxS	166	4705	61
1511T	48	2504	94	3049	160	4706	62
1512	48	2505	94	3050	160	4800	132
1513	49	2510	127	3051	161	4801	132
1514	49	2510-xxZ	129	3052	161	4802	131
1515	50	2512	127	3100	275	4803	58
1516	50	2513	128	3240T	167	4804	58
1530T	51	2513-NL	128	3501T	169	4805	133
1531	51	2514	130	3502T	170	4807	133
1532T	52	2514-xxSM	130	3503-02	169		
1533	52	2515	130	3504-02	170	5050	219
156C	222	2531T	95	3505-02	171	5050-xxW	221
1822	89	2532	95	3506-02	171	51T	91
1823	90	2532-xxS	97	3511T	172	52T	270
1824	90	2532C	98	3512	172	53T	93
		2533	96	3513	173	54T	109
		2533-xxS	97	3514	173	55T	249
2011T	53	2534	96	3521T	174	56T	249
2012	53	2534-xxS	98	3522	174	5701T	223
2013	54	2540	110	3522-xxS	176	5702	223
2014	54	254C	150	3522C	178	5703	224
2015T	55	255C	150	3523	175	5704	224
2016	55	2551T	99	3523-xxS	177	5802T	274
2017	56	2552	99	3524	176	5819T	270
2017-xxSM	57	2553	100	3524-xxS	178	5820T	274
2018	56	2554	100	3594T	179	59T	270
2018-xxSM	57	2564	87	3595	179		
2025T	63	2567	88	3960	190	6060	220
2026	63	2568	88	3961	190	61T	219
2027	64	2571T	101			62T	220
2028	64	2572	101	4001T	191	6420	253
2031T	67	2573	101	4002	191	65T	115
2032	67	2580T	103	4003	191	6501	115
2033	68						

ALEX PART NO. INDEX (II)

Part No.	Page	Part No.	Page	Part No.	Page	Part No.	Page
6502	116	7912	148	8891-xxW	257	9635-xxW	232
6503	116	7913	20	8892	261	9635-xxWR	238
6504	117	7914	20			9661	59
6505	126	7915	20	9020	85	9662	60
6506	126	7918	1	9021	86	9663	135
6507	126	7919	2	9025	113	96T	187
6508	117			9026	114	97T	272
6509	118	80T	255	9080	7	98T	272
6510	122	8079	218	9081	7	9811T	21
6521	119	8080	218	9082	7	9812	21
6522	120	8081	217	9090	220	9813	22
6523	120	8082	217	920T	85	9814	22
6525	123	8086	240	921T	86	9815	24
66T	271	8087	241	9254	149	9816	24
6612	244	8088	241	9255	189	9817	23
6613	247	8089	240	925T	113	9818	23
		8095	185	926T	114	9821	28
70T	225	8097	216	9357	196	9822	29
7003T	244	8099	239	9357-06-B	193	9825T	29
7004T	244	81T	255	9357-08-B	194	9826T	25
7005T	253	82T	260	9357-xxS	214	9827	25
7006T	253	83T	260	9358	196	9828	25
7007T	247	854T	111	9358-xxS	214	9830T	26
7008T	247	855T	112	9359	199	9831	26
71T	225	8639	181	9359-xxS	215	9832	26
7110	262	8639-xx-R	182	9360	203	9847	30
7120	262	8671	184	9360-xxP	207	9848	30
7163	258	8672	184	9360-xxS	215	9849	31
7250	264	8673	183	9361	209	9850	31
7260	264	8674	183	9362	210	9851T	27
7261	259	8675	186	9363	211	9852	27
7292	259	8676	186	9364	212	9853	27
7360	259	8677	186	9365	213	9858T	28
7375	259	870156	222	9396	187	9861T	32
7396	258	8811	91	9397	188	9862	32
7490	258	8812	92	9398	188	9871T	33
7545	258	8813	92	94T	185	9872	33
7581T	44	8820T	105	95T	185	9873	34
7582-05	44	8821	105	9512T	83	9874	34
7604	251	8822	106	9513T	84	99T	272
7619	258	8822-xxSM	107	9515	84	9901	35
7625	251	8823	106	9516	83	9902	35
7653	259	8823-xxSM	107	9532	168	9903	38
7725	249	8824	108	9540	168	9904	124
7901	3	8825	108	9543	143	9905	39
7902	4	8826	108	9543-xxP-LCP	145	9906	39
7903	5	8830T	242	9553	144	9907	41
7904	6	8831	242	9553-xxP-LCP	145	9908	42
7905	8	8832	242	9558T	138	9909	76
7906	9	8835T	243	9558TP-1	142	9910	81
7907	10	8836	243	9559T	146	9911	151
7908	11	8837	243	9566	139	9912	151
7909	18	8854	111	9566-xxx-1	142	9913	152
7910	19	8855	112	9567	146	9914	152
7911	147	8891	255	9635	225	9915	43



.012"(0.3mm) ZIF FPC/FFC Side Entry Bottom Contact SMT Type

Specifications:

- Current rating: 0.5AAC, DC
- Voltage rating: 50V AC, DC
- Temperature range: -25°C ~ 85°C
(Including temperature rise)

Ordering Information

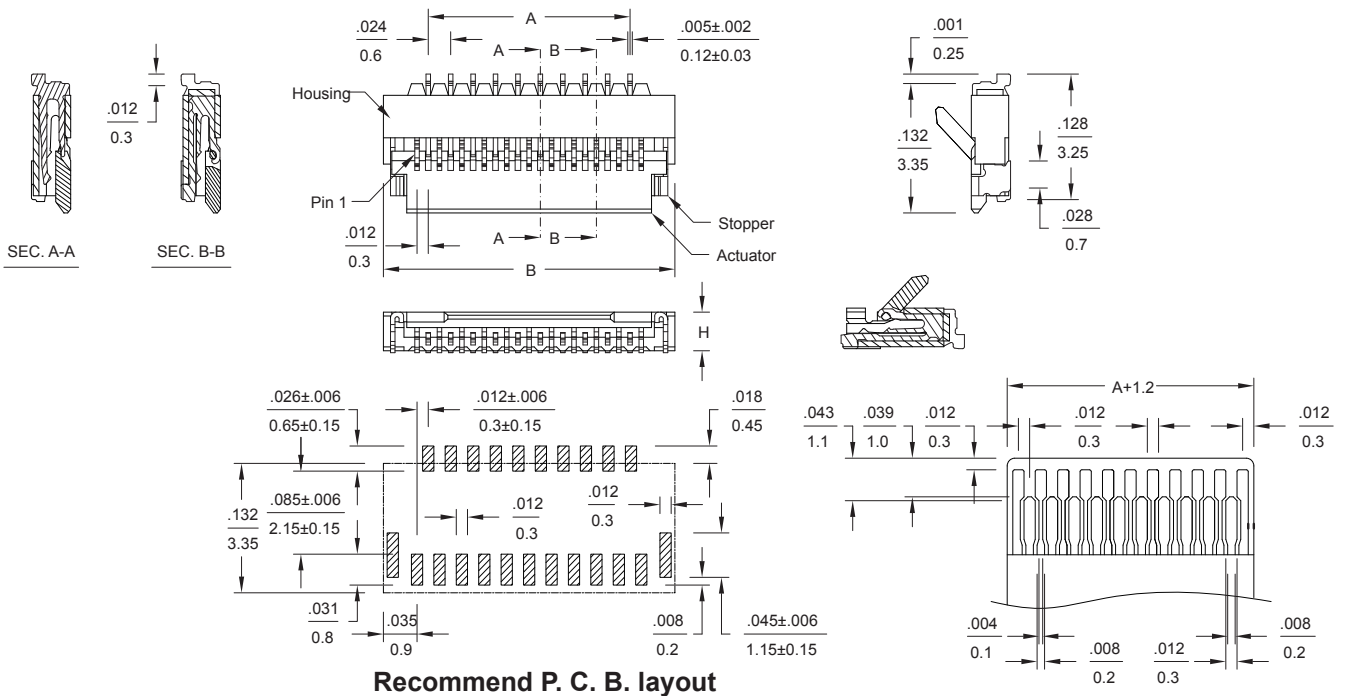
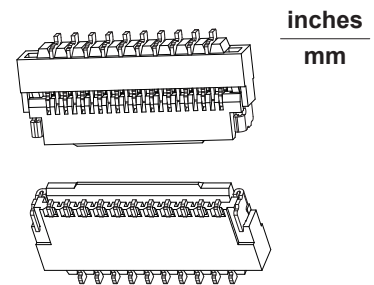
Part No.	Packing
7918-xx-x-0	Tube
7918-xx-x-1	Tape & Reel

&& xx = Number of circuits
x = Plastic height

x	Dim. H
1	0.039 (1.0)
2	0.047 (1.2)
3	0.059 (1.5)
4	0.079 (2.0)
5	0.098 (2.5)

7918-xx-x-x Series Side Entry

- 13, 15, 17,, 41, 45, 49, 51, 57, 61, 71 circuits available
- Housing & actuator material: LCP
- Terminal material: Phosphor bronze with 3u" gold flash over nickel
- Fitting nail material: Phosphor bronze with tin over nickel



Dimensional Information - in (mm)

Circuits	Dim. A	Dim. B	Circuits	Dim. A	Dim. B	Circuits	Dim. A	Dim. B
13	0.118 (3.0)	0.213 (5.4)	27	0.283 (7.2)	0.378 (9.6)	41	0.449 (11.4)	0.543 (13.8)
15	0.142 (3.6)	0.236 (6.0)	29	0.307 (7.8)	0.402 (10.2)	45	0.496 (12.6)	0.591 (15.0)
17	0.165 (4.2)	0.260 (6.6)	31	0.331 (8.4)	0.425 (10.8)	49	0.543 (13.8)	0.638 (16.2)
19	0.189 (4.8)	0.283 (7.2)	33	0.354 (9.0)	0.449 (11.4)	51	0.567 (14.4)	0.661 (16.8)
21	0.213 (5.4)	0.307 (7.8)	35	0.378 (9.6)	0.472 (12.0)	57	0.638 (16.2)	0.732 (18.6)
23	0.236 (6.0)	0.331 (8.4)	37	0.402 (10.2)	0.496 (12.6)	61	0.685 (17.4)	0.780 (19.8)
25	0.260 (6.6)	0.354 (9.0)	39	0.425 (10.8)	0.520 (13.2)	71	0.803 (20.4)	0.898 (22.8)



.020"(0.5mm) ZIF FPC/FFC Side Entry Top Contact SMT Type

Specifications:

- Current rating: 0.5AAC, DC
- Voltage rating: 50V AC, DC
- Temperature range: -25°C ~ 85°C (Including temperature rise)

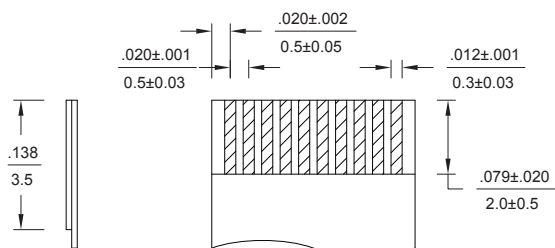
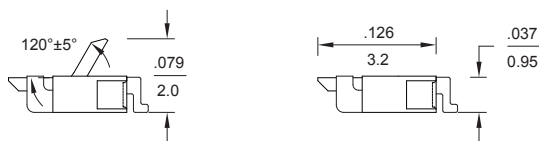
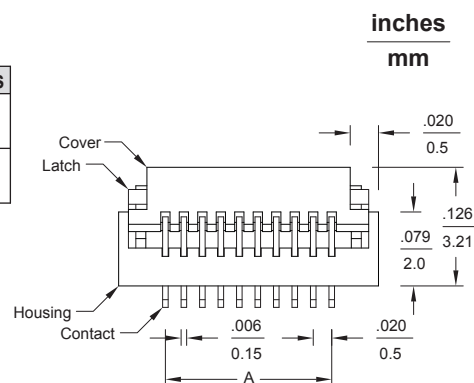
7919-xx-x-x Series Side Entry

- 04 ~ 40, 50 circuits available
- Housing material: LCP
- Cover material: PPS
- Contact material: Gold flash phosphor bronze
- Latch material: Tin-plated phosphor bronze

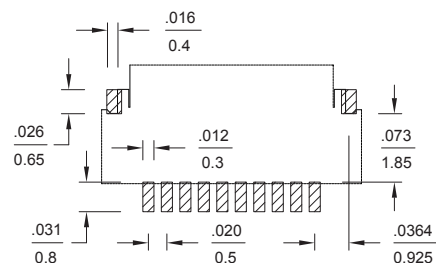
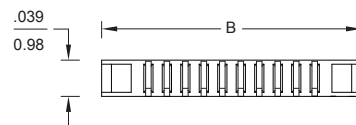
Ordering Information

Part No.	Packing	FFC thickness
7919-xx-1-0	Tube	0.2mm
7919-xx-1-1	Tape & Reel	
7919-xx-2-0	Tube	0.3mm
7919-xx-2-1	Tape & Reel	

&& xx = 04 ~ 40, 50



FPC/FFC dimension



Recommend P. C. B. layout

Dimensional Information - in (mm)

Circuits	Dim. A	Dim. B	Circuits	Dim. A	Dim. B	Circuits	Dim. A	Dim. B
4	0.059 (1.5)	0.157 (4.0)	17	0.315 (8.0)	0.413 (10.5)	30	0.571 (14.5)	0.669 (17.0)
5	0.079 (2.0)	0.177 (4.5)	18	0.335 (8.5)	0.433 (11.0)	31	0.591 (15.0)	0.689 (17.5)
6	0.098 (2.5)	0.197 (5.0)	19	0.354 (9.0)	0.453 (11.5)	32	0.610 (15.5)	0.709 (18.0)
7	0.118 (3.0)	0.217 (5.5)	20	0.374 (9.5)	0.472 (12.0)	33	0.630 (16.0)	0.728 (18.5)
8	0.138 (3.5)	0.236 (6.0)	21	0.394 (10.0)	0.492 (12.5)	34	0.650 (16.5)	0.748 (19.0)
9	0.157 (4.0)	0.256 (6.5)	22	0.413 (10.5)	0.512 (13.0)	35	0.669 (17.0)	0.768 (19.5)
10	0.177 (4.5)	0.276 (7.0)	23	0.433 (11.0)	0.531 (13.5)	36	0.689 (17.5)	0.787 (20.0)
11	0.197 (5.0)	0.295 (7.5)	24	0.453 (11.5)	0.551 (14.0)	37	0.709 (18.0)	0.807 (20.5)
12	0.217 (5.5)	0.315 (8.0)	25	0.472 (12.0)	0.571 (14.5)	38	0.728 (18.5)	0.827 (21.0)
13	0.236 (6.0)	0.335 (8.5)	26	0.492 (12.5)	0.591 (15.0)	39	0.748 (19.0)	0.846 (21.5)
14	0.256 (6.5)	0.354 (9.0)	27	0.512 (13.0)	0.610 (15.5)	40	0.768 (19.5)	0.866 (22.0)
15	0.276 (7.0)	0.374 (9.5)	28	0.531 (13.5)	0.630 (16.0)	50	0.965 (24.5)	1.063 (27.0)
16	0.295 (7.5)	0.394 (10.0)	29	0.551 (14.0)	0.650 (16.5)			



.020"(0.5mm) ZIF FPC/FFC Top Entry SMT Type Standard Layout

Specifications:

- Current rating: 0.5A
- Voltage rating: 50V DC
- Contact resistance: 30m Ω Max. (at 20mV DC, 100mA Max.)
- Insulation resistance: 100M Ω Min. (at 500V DC)
- Dielectric withstanding voltage: AC 250V/minute (Leak current must be 1mA Max.)
- Temperature range: -30 °C ~ 85 °C

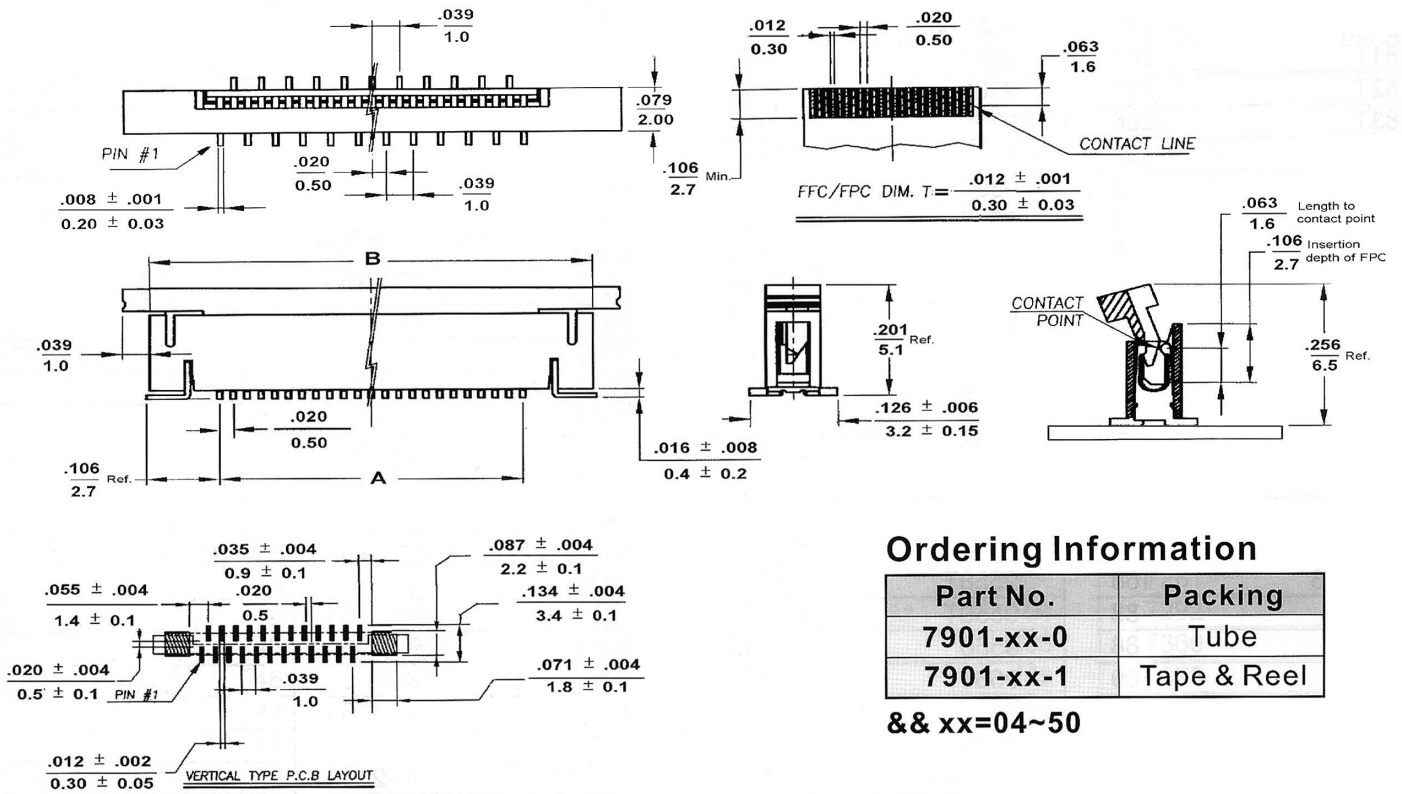
7901-xx Series

Top Entry

- 4~50 circuits available
- Material : Nylon 6T UL 94V-0

- Tin-plated copper alloy
- Slider : PPS UL 94V-0

inches
mm



Ordering Information

Part No.	Packing
7901-xx-0	Tube
7901-xx-1	Tape & Reel

&& xx=04~50

Dimensional Information - in (mm)

Circuits	Dim. A	Dim. B	Circuits	Dim. A	Dim. B	Circuits	Dim. A	Dim. B
4	0.059 (1.5)	0.260 (6.6)	20	0.374 (9.5)	0.575 (14.6)	36	0.689 (17.5)	0.890 (22.6)
5	0.079 (2.0)	0.280 (7.1)	21	0.394 (10.0)	0.594 (15.1)	37	0.709 (18.0)	0.909 (23.1)
6	0.098 (2.5)	0.299 (7.6)	22	0.413 (10.5)	0.614 (15.6)	38	0.728 (18.5)	0.929 (23.6)
7	0.118 (3.0)	0.319 (8.1)	23	0.433 (11.0)	0.634 (16.1)	39	0.748 (19.0)	0.949 (24.1)
8	0.138 (3.5)	0.339 (8.6)	24	0.453 (11.5)	0.654 (16.6)	40	0.768 (19.5)	0.969 (24.6)
9	0.157 (4.0)	0.358 (9.1)	25	0.472 (12.0)	0.673 (17.1)	41	0.787 (20.0)	0.988 (25.1)
10	0.177 (4.5)	0.378 (9.6)	26	0.492 (12.5)	0.693 (17.6)	42	0.807 (20.5)	1.008 (25.6)
11	0.197 (5.0)	0.398 (10.1)	27	0.512 (13.0)	0.713 (18.1)	43	0.827 (21.0)	1.028 (26.1)
12	0.217 (5.5)	0.417 (10.6)	28	0.531 (13.5)	0.732 (18.6)	44	0.846 (21.5)	1.047 (26.6)
13	0.236 (6.0)	0.437 (11.1)	29	0.551 (14.0)	0.752 (19.1)	45	0.866 (22.0)	1.067 (27.1)
14	0.256 (6.5)	0.457 (11.6)	30	0.571 (14.5)	0.772 (19.6)	46	0.886 (22.5)	1.087 (27.6)
15	0.276 (7.0)	0.476 (12.1)	31	0.591 (15.0)	0.791 (20.1)	47	0.906 (23.0)	1.106 (28.1)
16	0.295 (7.5)	0.496 (12.6)	32	0.610 (15.5)	0.811 (20.6)	48	0.925 (23.5)	1.126 (28.6)
17	0.315 (8.0)	0.516 (13.1)	33	0.630 (16.0)	0.831 (21.1)	49	0.945 (24.0)	1.146 (29.1)
18	0.335 (8.5)	0.535 (13.6)	34	0.650 (16.5)	0.850 (21.6)	50	0.965 (24.5)	1.165 (29.6)
19	0.354 (9.0)	0.555 (14.1)	35	0.669 (17.0)	0.870 (22.1)			



.020"(0.5mm) ZIF FPC/FFC Top Entry SMT Type Special Layout

Specifications:

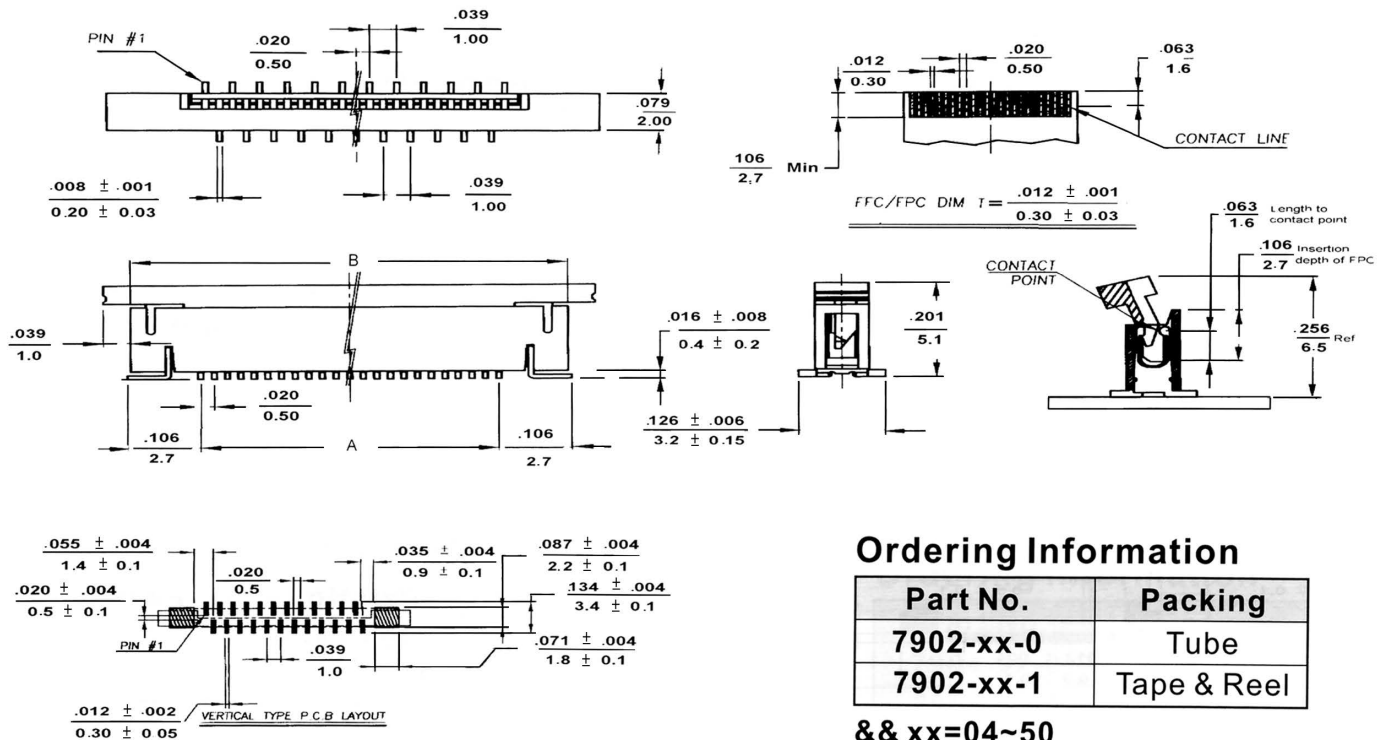
- Current rating: 0.5A
- Voltage rating: 50V DC
- Contact resistance: 30m Ω Max. (at 20mV DC, 100mA Max.)
- Insulation resistance: 100M Ω Min. (at 500V DC)
- Dielectric withstanding voltage: AC 250V/minute (Leak current must be 1mA Max.)
- Temperature range: -30 °C ~ 85 °C

7902-xx Series

Top Entry

inches
mm

- 4~50 circuits available
- Material : Nylon 6T UL 94V-0
- Tin-plated copper alloy
- Slider : PPS UL 94V-0



Ordering Information

Part No.	Packing
7902-xx-0	Tube
7902-xx-1	Tape & Reel

&& xx=04~50

Dimensional Information - in (mm)

Circuits	Dim. A	Dim. B	Circuits	Dim. A	Dim. B	Circuits	Dim. A	Dim. B
4	0.059 (1.5)	0.260 (6.6)	20	0.374 (9.5)	0.575 (14.6)	36	0.689 (17.5)	0.890 (22.6)
5	0.079 (2.0)	0.280 (7.1)	21	0.394 (10.0)	0.594 (15.1)	37	0.709 (18.0)	0.909 (23.1)
6	0.098 (2.5)	0.299 (7.6)	22	0.413 (10.5)	0.614 (15.6)	38	0.728 (18.5)	0.929 (23.6)
7	0.118 (3.0)	0.319 (8.1)	23	0.433 (11.0)	0.634 (16.1)	39	0.748 (19.0)	0.949 (24.1)
8	0.138 (3.5)	0.339 (8.6)	24	0.453 (11.5)	0.654 (16.6)	40	0.768 (19.5)	0.969 (24.6)
9	0.157 (4.0)	0.358 (9.1)	25	0.472 (12.0)	0.673 (17.1)	41	0.787 (20.0)	0.988 (25.1)
10	0.177 (4.5)	0.378 (9.6)	26	0.492 (12.5)	0.693 (17.6)	42	0.807 (20.5)	1.008 (25.6)
11	0.197 (5.0)	0.398 (10.1)	27	0.512 (13.0)	0.713 (18.1)	43	0.827 (21.0)	1.028 (26.1)
12	0.217 (5.5)	0.417 (10.6)	28	0.531 (13.5)	0.732 (18.6)	44	0.846 (21.5)	1.047 (26.6)
13	0.236 (6.0)	0.437 (11.1)	29	0.551 (14.0)	0.752 (19.1)	45	0.866 (22.0)	1.067 (27.1)
14	0.256 (6.5)	0.457 (11.6)	30	0.571 (14.5)	0.772 (19.6)	46	0.886 (22.5)	1.087 (27.6)
15	0.276 (7.0)	0.476 (12.1)	31	0.591 (15.0)	0.791 (20.1)	47	0.906 (23.0)	1.106 (28.1)
16	0.295 (7.5)	0.496 (12.6)	32	0.610 (15.5)	0.811 (20.6)	48	0.925 (23.5)	1.126 (28.6)
17	0.315 (8.0)	0.516 (13.1)	33	0.630 (16.0)	0.831 (21.1)	49	0.945 (24.0)	1.146 (29.1)
18	0.335 (8.5)	0.535 (13.6)	34	0.650 (16.5)	0.850 (21.6)	50	0.965 (24.5)	1.165 (29.6)
19	0.354 (9.0)	0.555 (14.1)	35	0.669 (17.0)	0.870 (22.1)			



.020"(0.5mm) ZIF FPC/FFC Side Entry Top Contact SMT Type

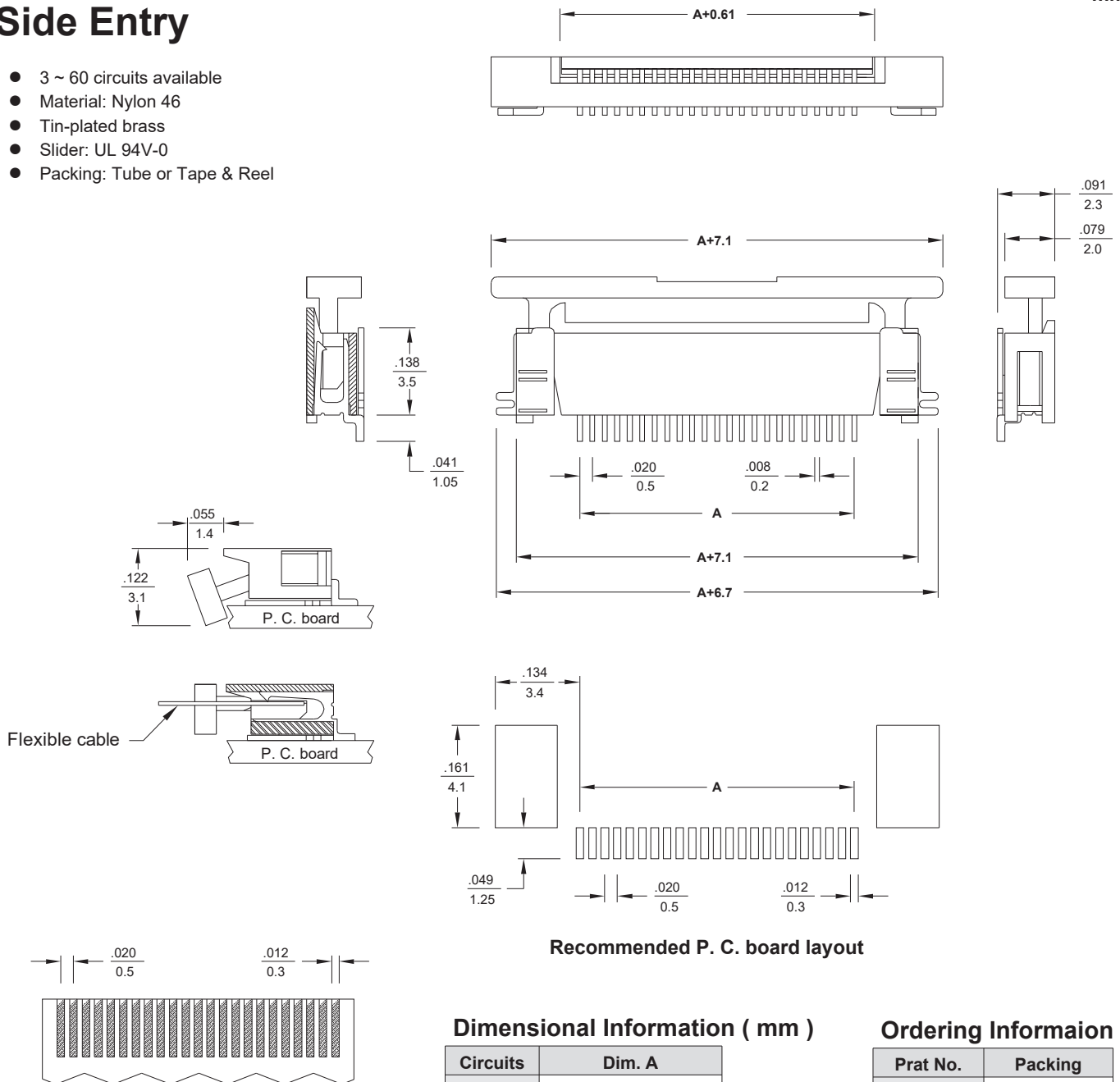
Specification:

- Current rating: 0.5A
- Voltage rating: 50V DC
- Contact resistance: 20mΩ Max.
- Insulation resistance: 50MΩ Min.
- Dielectric withstanding voltage: 250V AC/minute
- Temperature range: -40°C ~ 85°C

7903-xx-x Series Side Entry

- 3 ~ 60 circuits available
- Material: Nylon 46
- Tin-plated brass
- Slider: UL 94V-0
- Packing: Tube or Tape & Reel

inches
mm



Recommended P. C. board layout

Dimensional Information (mm)

Circuits	Dim. A
N	0.5 x (N - 1)

&& N = 3 ~ 60

Ordering Informaion

Prat No.	Packing
7903-xx-0	Tube
7903-xx-1	Tape & Reel

&& N = 03 ~ 60

FPC / FFC dimension
Thickness: 0.3mm



.020"(0.5mm) ZIF FPC/FFC Side Entry Bottom Contact SMT Type

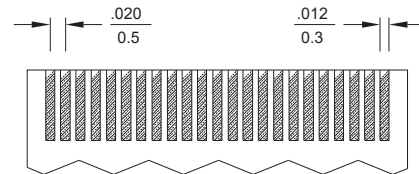
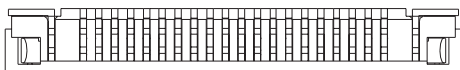
Specification:

- Current rating: 0.4A
- Voltage rating: 50V DC
- Contact resistance: 20mΩ Max.
- Insulation resistance: 500MΩ Min.
- Dielectric withstanding voltage: 250V AC/minute
- Ambient temperature range: -25°C ~ 85°C

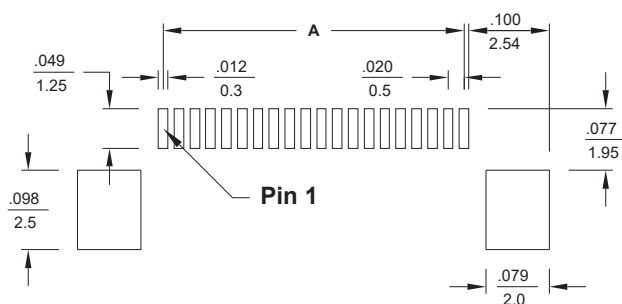
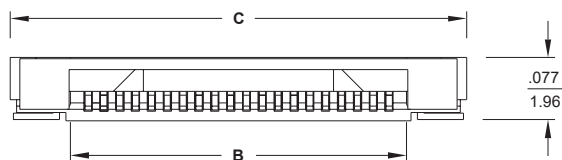
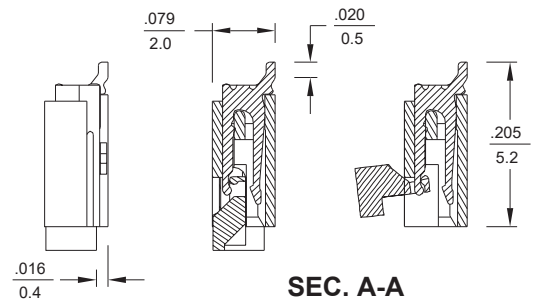
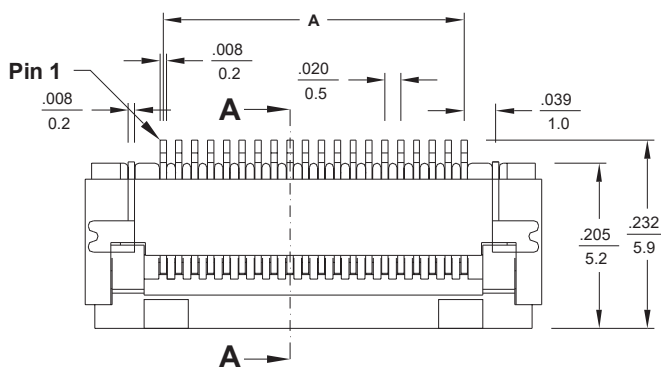
7904-xx-x Series Side Entry

inches
mm

- 4 ~ 60 circuits available
- Material: Thermoplastic (UL 94V-0)
- Contact: Tin-plated phosphor bronze
- Solder tab: Tin-plated phosphor bronze
- Packing: Tube or Tape & Reel



FPC / FFC dimension
Thickness: 0.3mm



Recommended P. C. board layout

Ordering Informaion

Prat No.	Packing
7904-xx-0	Tube
7904-xx-1	Tape & Reel

&& N = 03 ~ 60

Dimensional Information (mm)

Circuits	Dim. A	Dim. B	Dim. C
N	0.5 x N - 0.5	0.5 x N + 0.6	0.5 x N + 4.4

&& N = 4 ~ 60



.031"(0.8mm) IDC Connector

Specifications:

- Current rating: 0.5A AC/DC (#32 AWG), 0.2A AC/DC (#36 AWG)
- Voltage rating: 30V
- Dielectric withstanding voltage: 200V AC/minute
- Contact resistance: 20mΩ Max.
- Insulation resistance: 100MΩ Min. at DC 200V
- Ambient temperature range: -25°C ~ 85°C

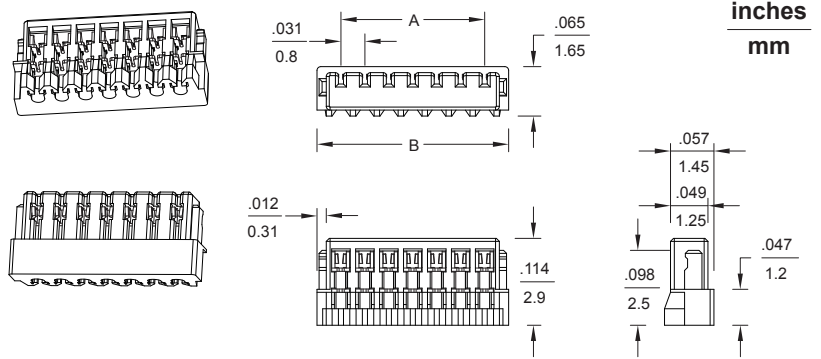
9080-N Series IDC Housing

- 2 ~ 10, 12, 14 ~ 17, 20 circuits available
- Contact material: Tin-plated phosphor bronze
- Plastic material: UL 94V-0 nylon 66 + 25% GF
- Applicable wire: #32 ~ #36 AWG
- Mates with ALEX 9081, 9082 headers

Dimensional Information (mm)

Circuits	Dim. A	Dim. B
N	0.8 x (N - 1)	0.8 x (N + 1)

&& N = 2 ~ 10, 12, 14 ~ 17, 20



9081-xx Series Vertical Header, SMT

Ordering Information

Part No.	Packing
9081-xx-0	Tube
9081-xx-1	Tape & Reel

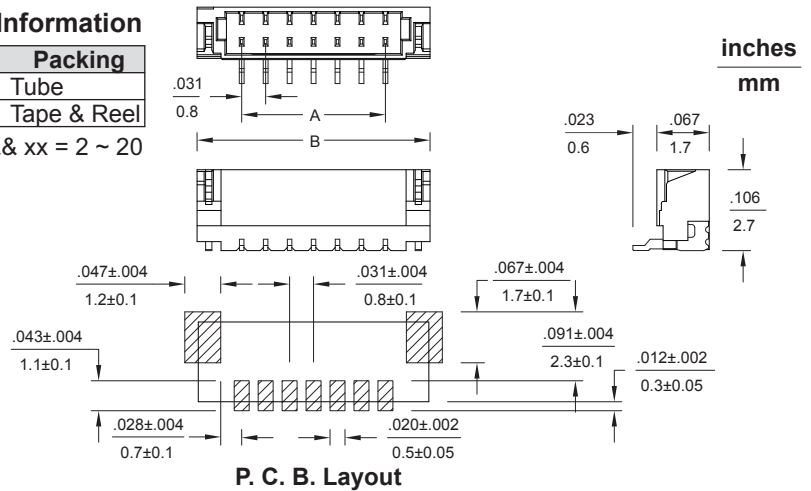
&& xx = 2 ~ 20

- 2 ~ 10, 12, 14 ~ 17, 20 circuits available
- Contact material: Matte tin-plated phosphor bronze
- Tab material: Matte tin-plated brass
- Plastic material: HTN UL 94V-0 natural H.F.
- Mates with ALEX 9080-N housing

Dimensional Information (mm)

Circuits	Dim. A	Dim. B
N	0.8 x (N - 1)	0.8 x N + 2.2

&& N = 2 ~ 10, 12, 14 ~ 17, 20



9082-xx Series Right Angle Header, SMT

Ordering Information

Part No.	Packing
9082-xx-0	Tube
9082-xx-1	Tape & Reel

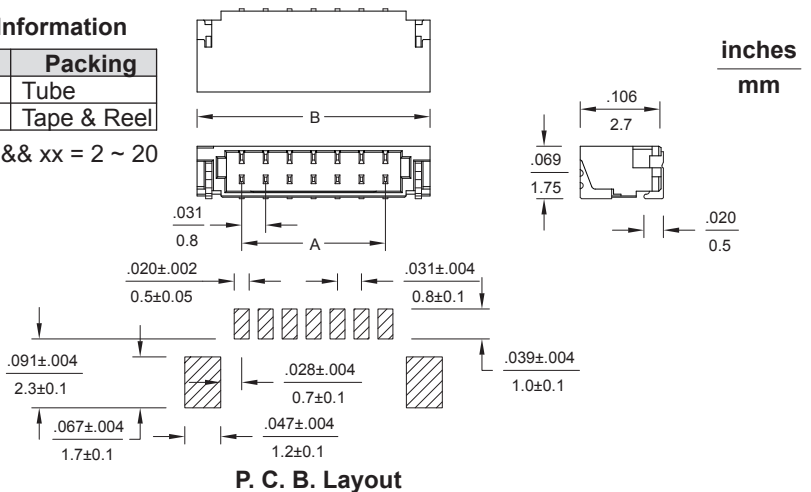
&& xx = 2 ~ 20

- 2 ~ 10, 12, 14 ~ 17, 20 circuits available
- Contact material: Matte tin-plated phosphor bronze
- Tab material: Matte tin-plated brass
- Plastic material: HTN UL 94V-0 natural H.F.
- Mates with ALEX 9080-N housing

Dimensional Information (mm)

Circuits	Dim. A	Dim. B
N	0.8 x (N - 1)	0.8 x N + 2.2

&& N = 2 ~ 10, 12, 14 ~ 17, 20





.039"(1.0mm) ZIF FPC/FFC Top Entry SMT Type Standard Layout

Specifications:

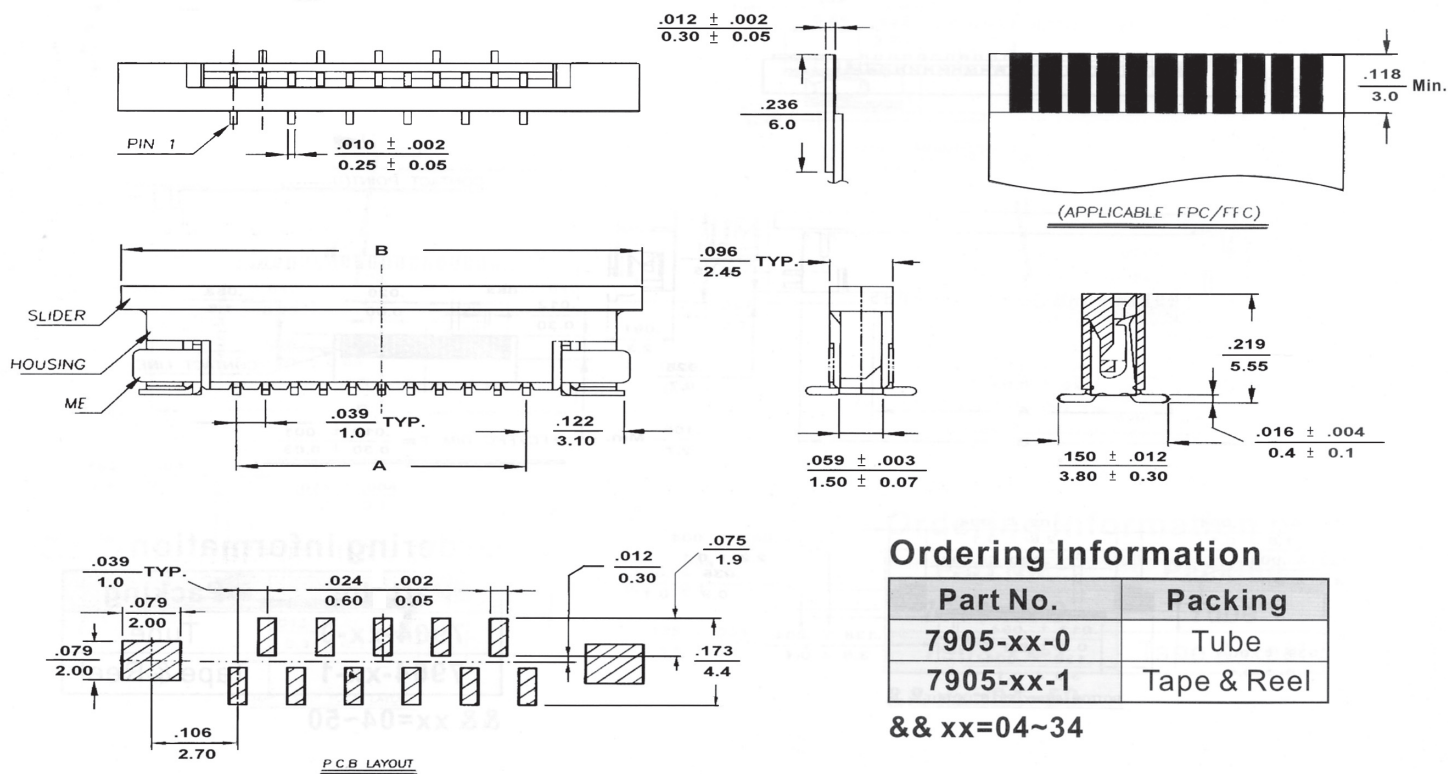
- Current rating: 0.5A Max.
- Voltage rating: 100V AC Max.
- Contact resistance: 30m Ω Max.
- Accommodated FFC/FPC thickness: 0.25~0.35 mm
- Insulation resistance: 500MΩ Min.
- Dielectric withstanding voltage: 500V AC RMS
- Temperature range: -40 °C ~ 85 °C

7905-xx Series

Top Entry

- 4~34 circuits available
- Material : LCP, UL 94V-0 rated
- Tin-plated phosphor bronze
- Slider : PPS UL 94V-0
- Me: Brass

inches
mm



Ordering Information

Part No.	Packing
7905-xx-0	Tube
7905-xx-1	Tape & Reel

&& xx=04~34

Dimensional Information - in (mm)

Circuits	Dim. A	Dim. B	Circuits	Dim. A	Dim. B	Circuits	Dim. A	Dim. B
04	0.118 (3.00)	0.433 (11.00)	16	0.591 (15.00)	0.906 (23.00)	28	1.063 (27.00)	1.378 (35.00)
05	0.157 (4.00)	0.472 (12.00)	17	0.630 (16.00)	0.945 (24.00)	29	1.102 (28.00)	1.417 (36.00)
06	0.197 (5.00)	0.512 (13.00)	18	0.669 (17.00)	0.984 (25.00)	30	1.142 (29.00)	1.457 (37.00)
07	0.236 (6.00)	0.551 (14.00)	19	0.709 (18.00)	1.024 (26.00)	31	1.181 (30.00)	1.496 (38.00)
08	0.276 (7.00)	0.591 (15.00)	20	0.748 (19.00)	1.063 (27.00)	32	1.220 (31.00)	1.535 (39.00)
09	0.315 (8.00)	0.630 (16.00)	21	0.787 (20.00)	1.102 (28.00)	33	1.260 (32.00)	1.575 (40.00)
10	0.354 (9.00)	0.669 (17.00)	22	0.827 (21.00)	1.142 (29.00)	34	1.299 (33.00)	1.614 (41.00)
11	0.394 (10.00)	0.709 (18.00)	23	0.866 (22.00)	1.181 (30.00)			
12	0.433 (11.00)	0.748 (19.00)	24	0.906 (23.00)	1.220 (31.00)			
13	0.472 (12.00)	0.787 (20.00)	25	0.945 (24.00)	1.260 (32.00)			
14	0.512 (13.00)	0.827 (21.00)	26	0.984 (25.00)	1.299 (33.00)			
15	0.551 (14.00)	0.866 (22.00)	27	1.024 (26.00)	1.339 (34.00)			



.039"(1.0mm) ZIF FPC/FFC Top Entry SMT Type Special Layout

Specifications:

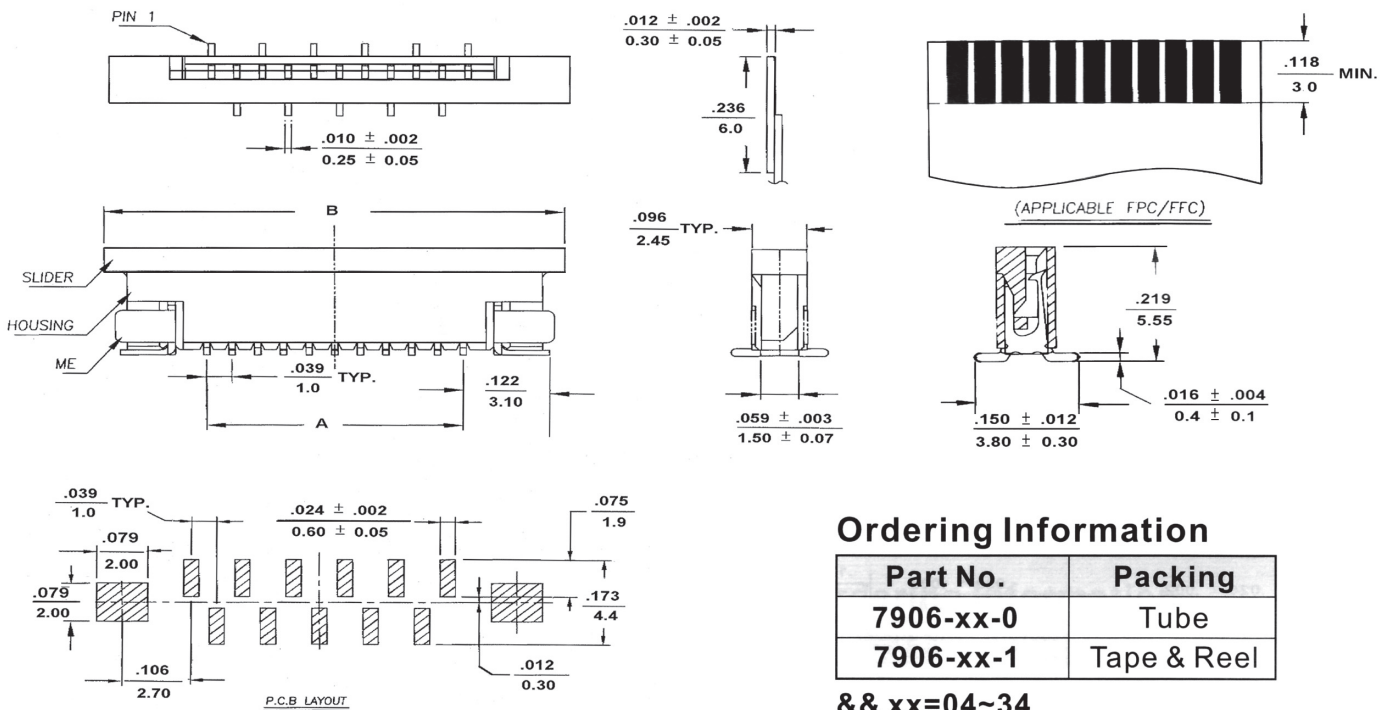
- Current rating: 0.5A Max.
- Voltage rating: 100V AC Max.
- Contact resistance: 30m Ω Max.
- Accommodated FFC/FPC thickness: 0.25~0.35 mm
- Insulation resistance: 500MΩ Min.
- Dielectric withstanding voltage: 500V AC RMS
- Temperature range: -40 °C ~ 85 °C

7906-xx Series

Top Entry

inches
mm

- 4~34 circuits available
- Material : LCP, UL 94V-0 rated
- Tin-plated phosphor bronze
- Slider : PPS UL 94V-0
- Me: Brass



Ordering Information

Part No.	Packing
7906-xx-0	Tube
7906-xx-1	Tape & Reel

&& xx=04~34

Dimensional Information - in (mm)

Circuits	Dim. A	Dim. B	Circuits	Dim. A	Dim. B	Circuits	Dim. A	Dim. B
04	0.118 (3.00)	0.433 (11.00)	16	0.591 (15.00)	0.906 (23.00)	28	1.063 (27.00)	1.378 (35.00)
05	0.157 (4.00)	0.472 (12.00)	17	0.630 (16.00)	0.945 (24.00)	29	1.102 (28.00)	1.417 (36.00)
06	0.197 (5.00)	0.512 (13.00)	18	0.669 (17.00)	0.984 (25.00)	30	1.142 (29.00)	1.457 (37.00)
07	0.236 (6.00)	0.551 (14.00)	19	0.709 (18.00)	1.024 (26.00)	31	1.181 (30.00)	1.496 (38.00)
08	0.276 (7.00)	0.591 (15.00)	20	0.748 (19.00)	1.063 (27.00)	32	1.220 (31.00)	1.535 (39.00)
09	0.315 (8.00)	0.630 (16.00)	21	0.787 (20.00)	1.102 (28.00)	33	1.260 (32.00)	1.575 (40.00)
10	0.354 (9.00)	0.669 (17.00)	22	0.827 (21.00)	1.142 (29.00)	34	1.299 (33.00)	1.614 (41.00)
11	0.394 (10.00)	0.709 (18.00)	23	0.866 (22.00)	1.181 (30.00)			
12	0.433 (11.00)	0.748 (19.00)	24	0.906 (23.00)	1.220 (31.00)			
13	0.472 (12.00)	0.787 (20.00)	25	0.945 (24.00)	1.260 (32.00)			
14	0.512 (13.00)	0.827 (21.00)	26	0.984 (25.00)	1.299 (33.00)			
15	0.551 (14.00)	0.866 (22.00)	27	1.024 (26.00)	1.339 (34.00)			



.039" (1.0mm) ZIF FPC/FFC Side Entry Top Contact SMT Type

Specifications:

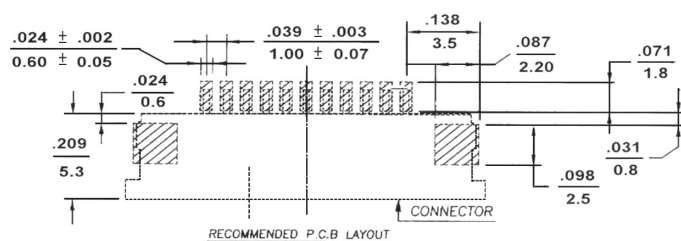
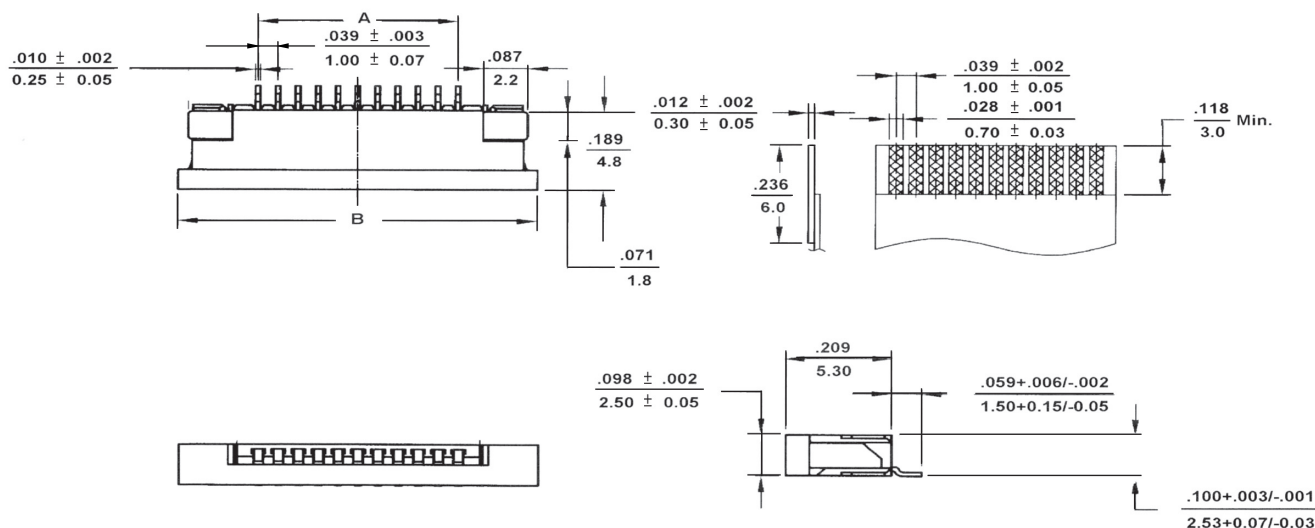
- Current rating: 0.5A Max.
- Voltage rating: 100V AC Max.
- Contact resistance: 30m Ω Max.
- Durability: 50M Ω Max. After 20 insertions and withdraws
- Insulation resistance: 500MΩ Min.
- Dielectric withstanding voltage: 500V AC RMS
- Temperature range: -40 °C ~ 85 °C
- Accommodated FFC/FPC thickness: 0.25~0.35 mm

7907-xx Series

Side Entry

inches
mm

- 4~34 circuits available
- Body : Glass reinforced PPS UL 94V-0 rated, brown color
- Tin-plated phosphor bronze
- Slider : Glass reinforced PPS UL 94V-0 rated, black color



Ordering Information

Part No.	Packing
7907-xx-0	Tube
7907-xx-1	Tape & Reel

&& xx=04~34

Dimensional Information - in (mm)

Circuits	Dim. A	Dim. B	Circuits	Dim. A	Dim. B	Circuits	Dim. A	Dim. B
04	0.118 (3.00)	0.433 (11.00)	16	0.591 (15.00)	0.906 (23.00)	28	1.063 (27.00)	1.378 (35.00)
05	0.157 (4.00)	0.472 (12.00)	17	0.630 (16.00)	0.945 (24.00)	29	1.102 (28.00)	1.417 (36.00)
06	0.197 (5.00)	0.512 (13.00)	18	0.669 (17.00)	0.984 (25.00)	30	1.142 (29.00)	1.457 (37.00)
07	0.236 (6.00)	0.551 (14.00)	19	0.709 (18.00)	1.024 (26.00)	31	1.181 (30.00)	1.496 (38.00)
08	0.276 (7.00)	0.591 (15.00)	20	0.748 (19.00)	1.063 (27.00)	32	1.220 (31.00)	1.535 (39.00)
09	0.315 (8.00)	0.630 (16.00)	21	0.787 (20.00)	1.102 (28.00)	33	1.260 (32.00)	1.575 (40.00)
10	0.354 (9.00)	0.669 (17.00)	22	0.827 (21.00)	1.142 (29.00)	34	1.299 (33.00)	1.614 (41.00)
11	0.394 (10.00)	0.709 (18.00)	23	0.866 (22.00)	1.181 (30.00)			
12	0.433 (11.00)	0.748 (19.00)	24	0.906 (23.00)	1.220 (31.00)			
13	0.472 (12.00)	0.787 (20.00)	25	0.945 (24.00)	1.260 (32.00)			
14	0.512 (13.00)	0.827 (21.00)	26	0.984 (25.00)	1.299 (33.00)			
15	0.551 (14.00)	0.866 (22.00)	27	1.024 (26.00)	1.339 (34.00)			



.039"(1.0mm) ZIF FPC/FFC Side Entry Bottom Contact SMT Type

Specifications:

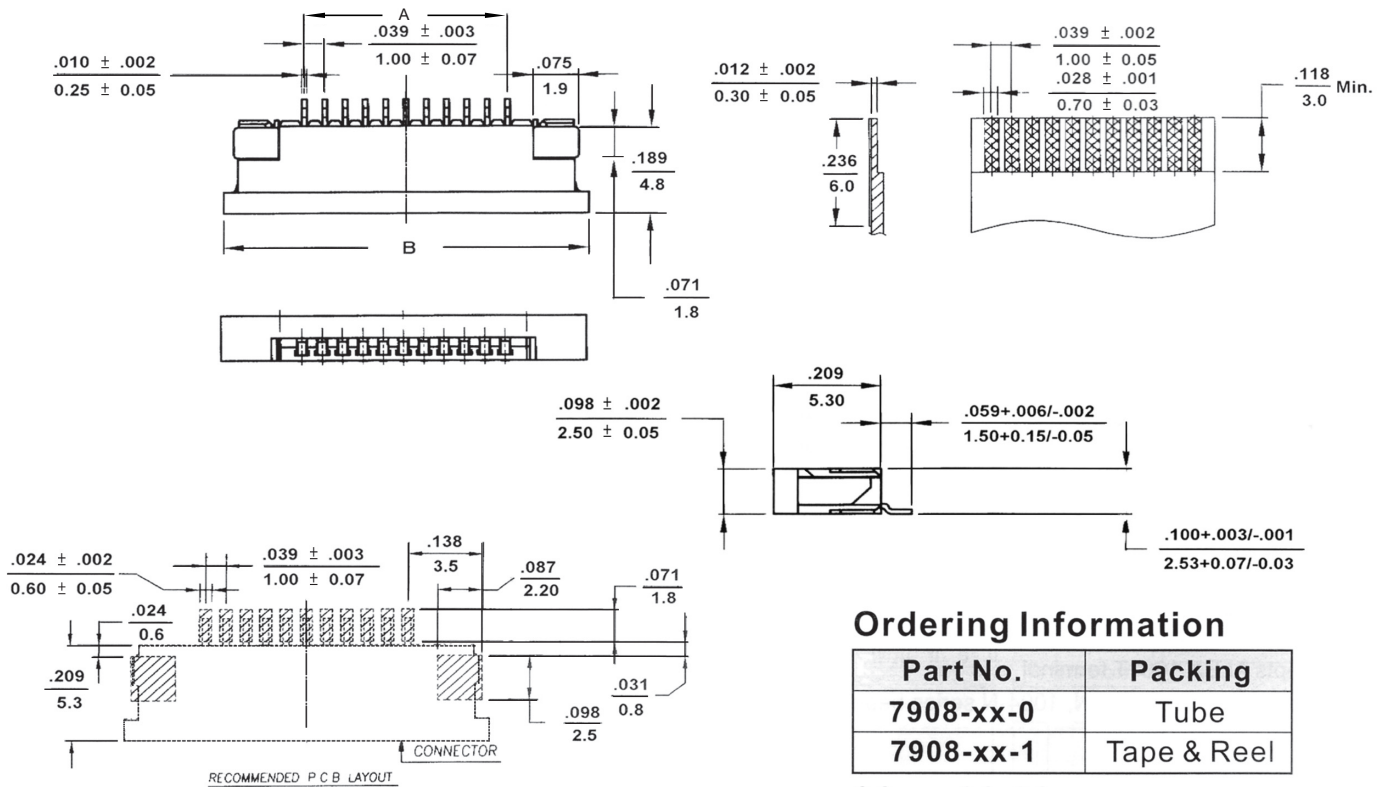
- Current rating: 0.5A Max.
- Voltage rating: 100V AC Max.
- Contact resistance: 30m Ω Max.
- Durability: 50M Ω Max. After 20 insertions and withdraws
- Insulation resistance: 500MΩ Min.
- Dielectric withstanding voltage: 500V AC RMS
- Temperature range: -40 °C ~ 85 °C
- Accommodated FFC/FPC thickness: 0.25~0.35 mm

7908-xx Series

Side Entry

inches
mm

- 4~34 circuits available
- Body : Glass reinforced PPS UL 94V-0 rated, brown color
- Tin-plated phosphor bronze
- Slider : Glass reinforced PPS UL 94V-0 rated, black color



Ordering Information

Part No.	Packing
7908-xx-0	Tube
7908-xx-1	Tape & Reel

&& xx=04~34

Dimensional Information - in (mm)

Circuits	Dim. A	Dim. B	Circuits	Dim. A	Dim. B	Circuits	Dim. A	Dim. B
04	0 118 (3.00)	0 433 (11.00)	16	0.591 (15.00)	0.906 (23.00)	28	1.063 (27.00)	1.378 (35.00)
05	0.157 (4.00)	0.472 (12.00)	17	0.630 (16.00)	0.945 (24.00)	29	1.102 (28.00)	1.417 (36.00)
06	0.197 (5.00)	0.512 (13.00)	18	0.669 (17.00)	0.984 (25.00)	30	1.142 (29.00)	1.457 (37.00)
07	0 236 (6.00)	0.551 (14.00)	19	0.709 (18.00)	1.024 (26.00)	31	1.181 (30.00)	1.496 (38.00)
08	0.276 (7.00)	0.591 (15.00)	20	0.748 (19.00)	1.063 (27.00)	32	1.220 (31.00)	1.535 (39.00)
09	0.315 (8.00)	0.630 (16.00)	21	0.787 (20.00)	1.102 (28.00)	33	1.260 (32.00)	1.575 (40.00)
10	0.354 (9.00)	0.669 (17.00)	22	0.827 (21.00)	1.142 (29.00)	34	1.299 (33.00)	1.614 (41.00)
11	0.394 (10.00)	0.709 (18.00)	23	0.866 (22.00)	1.181 (30.00)			
12	0.433 (11.00)	0.748 (19.00)	24	0.906 (23.00)	1.220 (31.00)			
13	0.472 (12.00)	0.787 (20.00)	25	0.945 (24.00)	1.260 (32.00)			
14	0.512 (13.00)	0.827 (21.00)	26	0.984 (25.00)	1.299 (33.00)			
15	0.551 (14.00)	0.866 (22.00)	27	1.024 (26.00)	1 339 (34.00)			



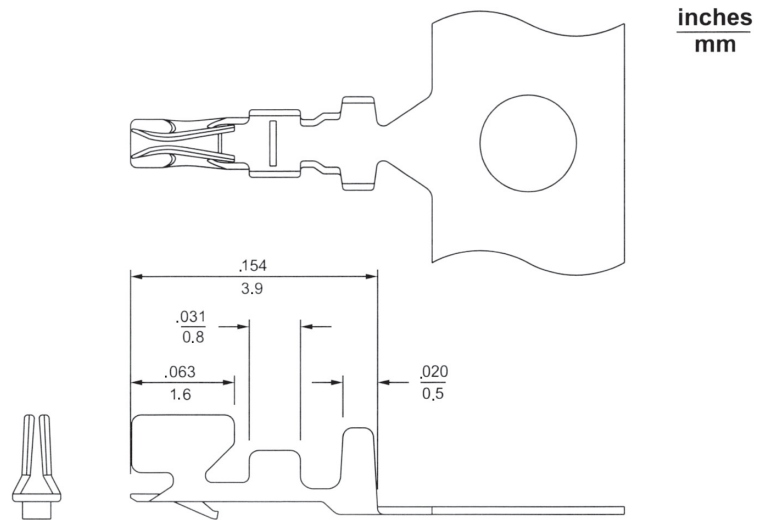
.039"(1.0mm) Crimp Terminal Housing

Specifications:

- Current rating: 1A AC, DC (AWG #28)
- Voltage rating: 50V AC, DC
- Withstanding voltage: 500V AC/minute
- Insulation resistance: 100MΩ min.
- Contact resistance: Initial value/20mΩ max.
- Temperature rise: -25°C ~ 85°C
(Including temperature rise in applying electrical current)
- UL file No. : E114003

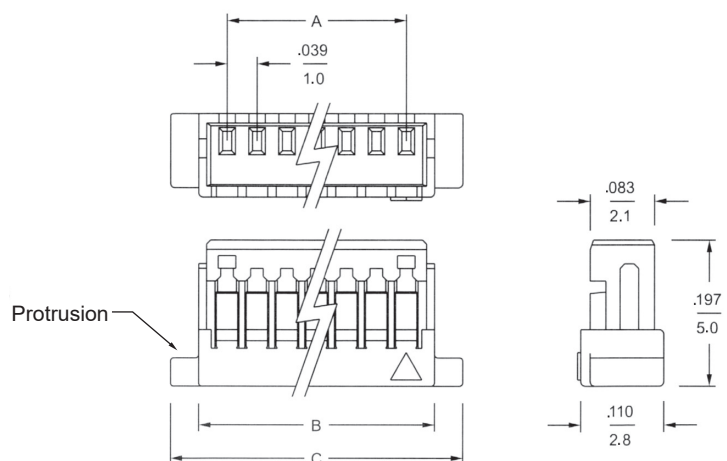
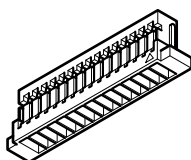
1001T Series Crimp Terminal

- Material: Phosphor bronze
- Finished: Tin-plated
- Used in ALEX 1002-N, 1005-N housings
- Wire range: AWG #28 ~ #32
- Insulation O.D.: .016" ~ .031"
(0.4 ~ 0.8mm)



1002-N Series Crimp Terminal Housing

- 2 ~ 20 circuits available
- Material: PBT UL 94V-0
- Color: White
- With protrusions
- Accepts ALEX 1001T terminal
- Mates with ALEX 1003-N, 1004-N headers



Dimensional Information (mm)

Circuits	Dim. A	Dim. B	Dim. C
N	N - 1	N + 1	N + 3

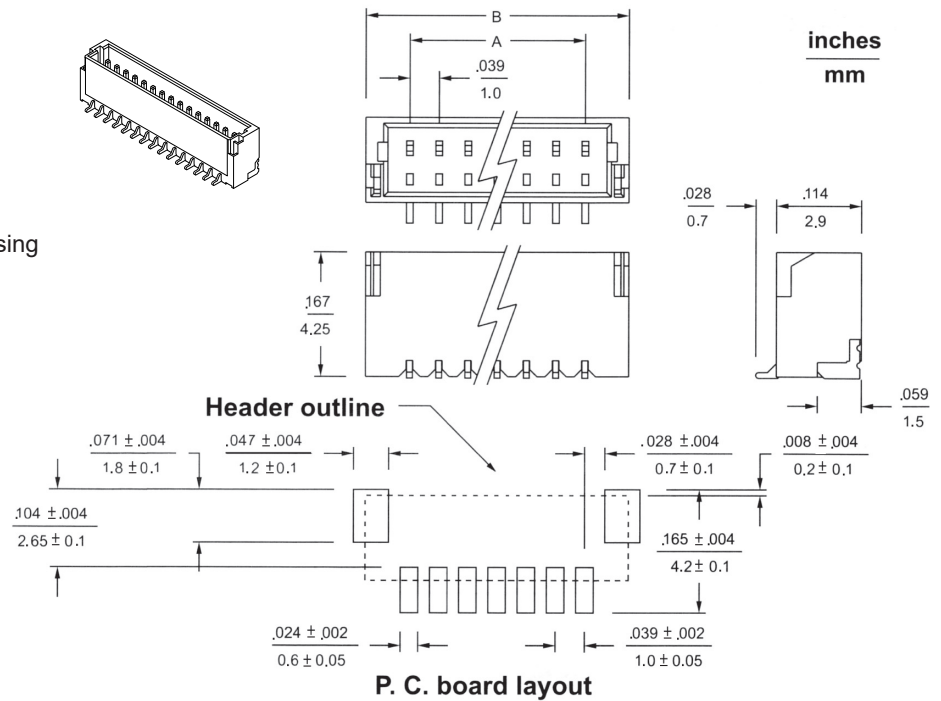
&& N = 2 ~ 20



.039"(1.0mm) SMT Type Shrouded Header

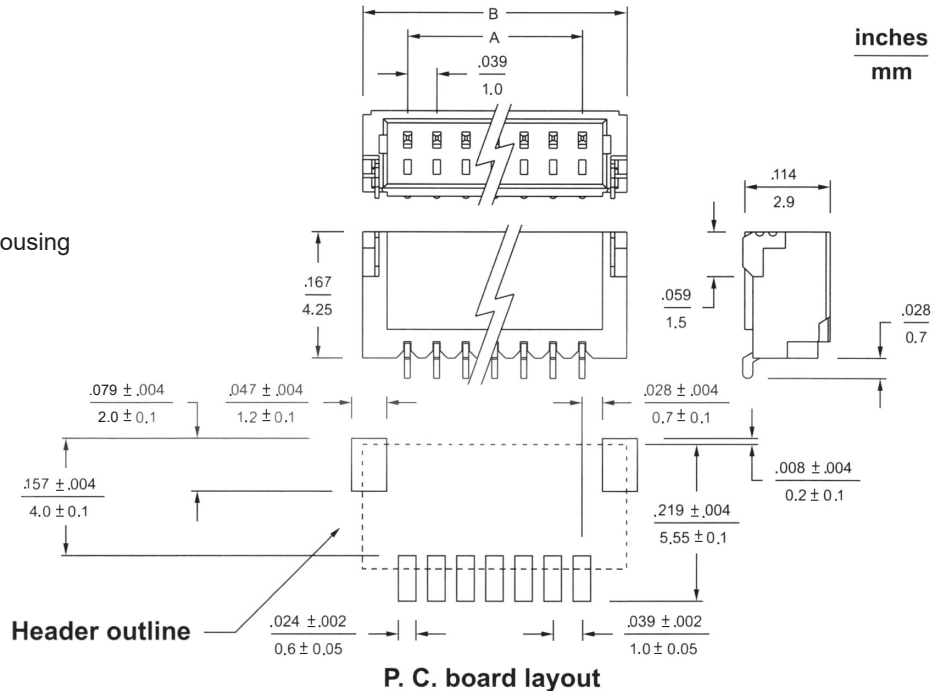
1003-N Series Top Entry Type

- 2 ~ 16, 20 circuits available
- Material: Nylon 6T UL 94V-0
- Tin-plated phosphor bronze
- Mates with ALEX 1002-N series housing
- With Cap
- Package: Tape & Reel



1004-N Series Side Entry type

- 2 ~ 16, 20 circuits available
- Material: Nylon 6T UL 94V-0
- Tin-plated phosphor bronze
- Mates with ALEX 1002-N series housing
- Package: Tape & Reel



Dimensional Information (mm) 1003 / 1004

Circuits	Dim . A	Dim . B
N	1.0 x (N - 1)	A+3

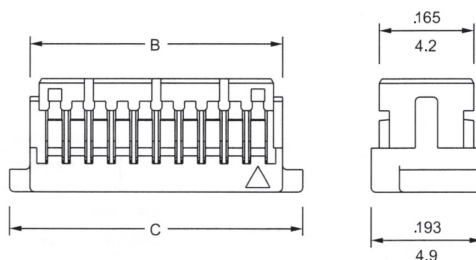
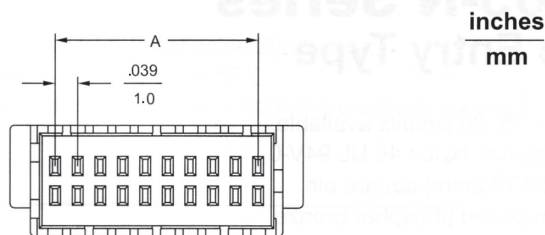
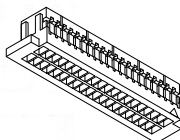
&& N = 2~16,20



.039"(1.0mm) SMT Type Shrouded Header

1005-N Series Dual Row Crimp Terminal Housing

- 20, 30, 40, 50 circuits available
- Material: PBT, UL 94V-0
- Color: White
- Accepts ALEX 1001T terminal
- Mates with ALEX 1006-xx series header

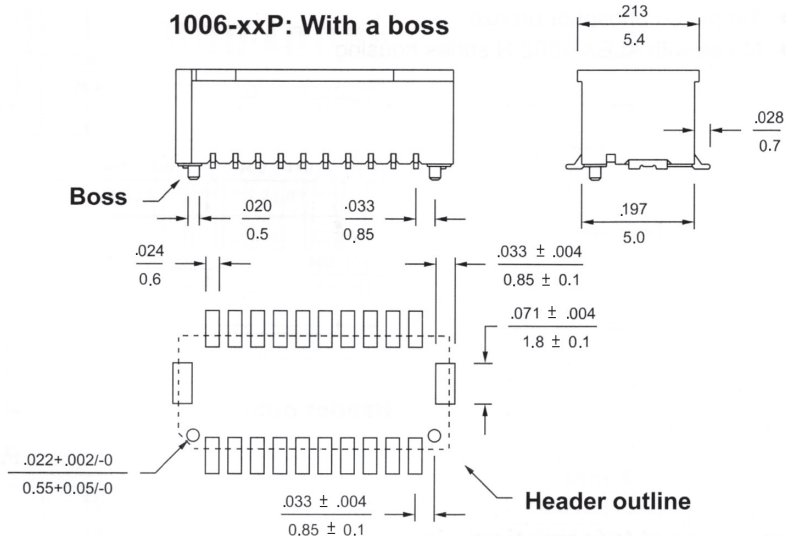
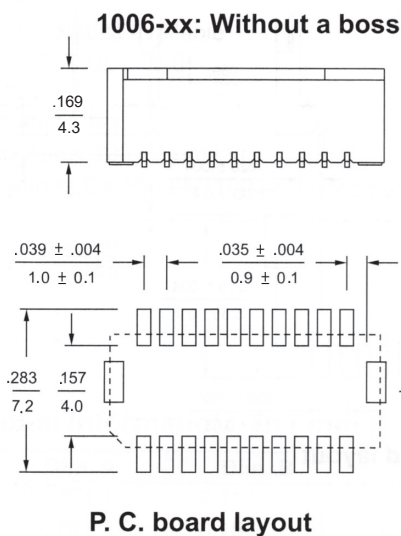
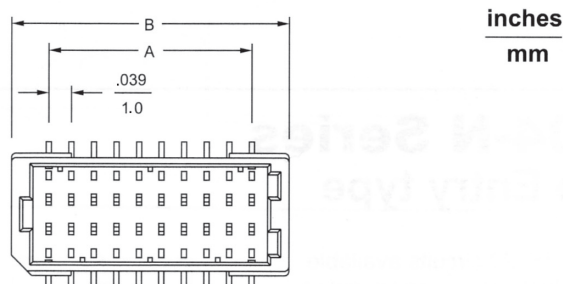
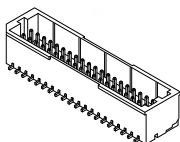


Dimensional Information - in (mm)

Circuits	Dim. A	Dim. B	Dim. C
20	0.354 (9.0)	0.433 (11.0)	0.512 (13.0)
30	0.551 (14.0)	0.630 (16.0)	0.709 (18.0)
40	0.748 (19.0)	0.827 (21.0)	0.906 (23.0)
50	0.945 (24.0)	1.024 (26.0)	1.102 (28.0)

1006-xx Series Top Entry Type, SMT

- 20, 30, 40, 50 circuits available
- Material: Nylon 6T UL 94V-0
- Pin material : Gold- flash phosphor bronze
- Mates with ALEX 1005-N housing
- Solder pad material : Tin-plated brass
- With Cap



Dimensional Information - in (mm)

Circuits	Dim. A	Dim. B	Circuits	Dim. A	Dim. B
20	0.354 (9.0)	0.484 (12.3)	40	0.748 (19.0)	0.878 (22.3)
30	0.551 (14.0)	0.681 (17.3)	50	0.945 (24.0)	1.075 (27.3)

Ordering Information

Part No.	Feature
1006-xx	Without a boss
1006-xxP	With a boss

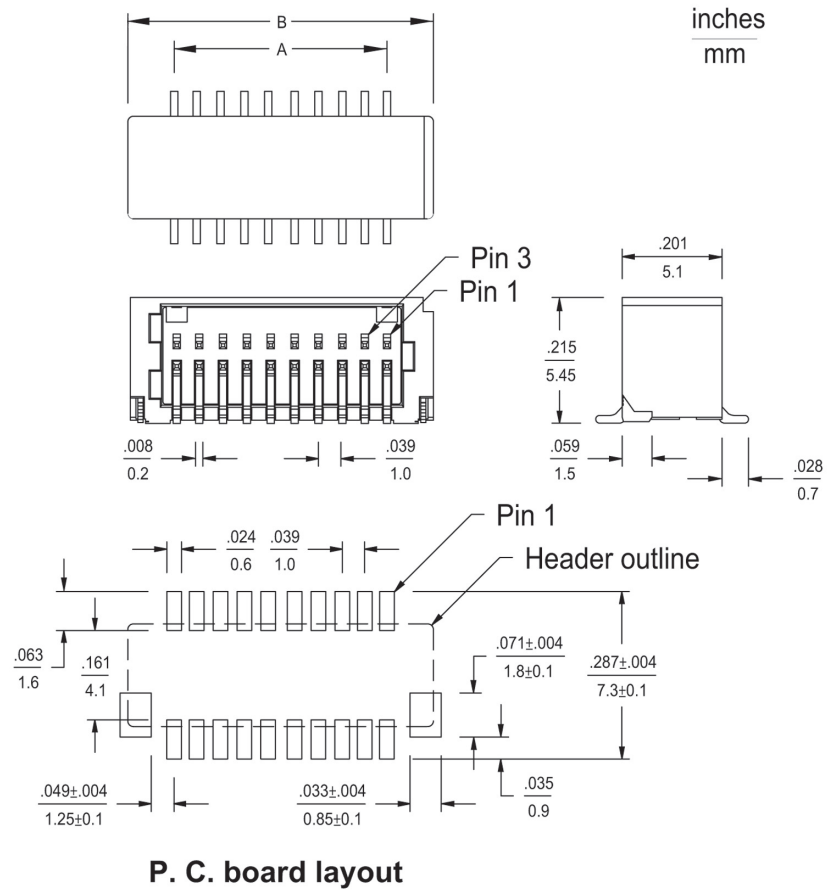


.039"(1.0mm) SMT Type Shrouded Header

1007-N Series

Side Entry Type, SMT

- 20, 30, 40, 50 circuits available
- Material: Nylon 6T, UL 94V-0
- Header contact: Gold-flash Phosphor bronze
- Solder tad: Tin-plated brass
- Mate with ALEX 1005-N housing



Dimensional Information - in (mm)

Circuits	Dim. A	Dim. B
20	0.354 (9.0)	0.516 (13.1)
30	0.551 (14.0)	0.713 (18.1)
40	0.748 (19.0)	0.909 (23.1)
50	0.945 (24.0)	1.106 (28.1)



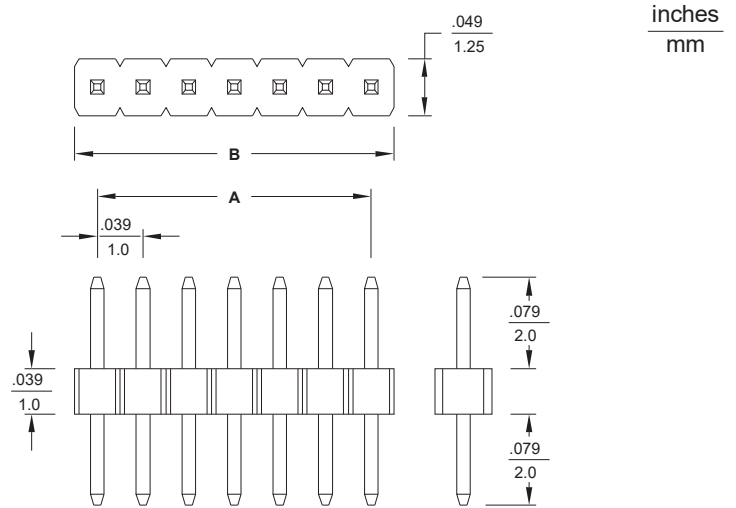
.039"(1.0mm) Vertical Header

Specification:

- Current rating: 1A
- Contact resistance: 20mΩ Max.
- Insulation resistance: 500MΩ Min.
- Dielectric withstanding voltage: 200V AC/minute
- Ambient temperature range: -40°C ~ 105°C

1090-N Series Single Row Vertical Header

- 2 ~ 50 circuits available
- Material: UL 94V-0 nylon 6T, Black
- Contact: Copper alloys
- Finished: Gold-flash over nickel
- .0118"(0.3mm) square pin



Dimensional Information (mm)

Circuits	Dim. A	Dim. B
N	N - 1	N

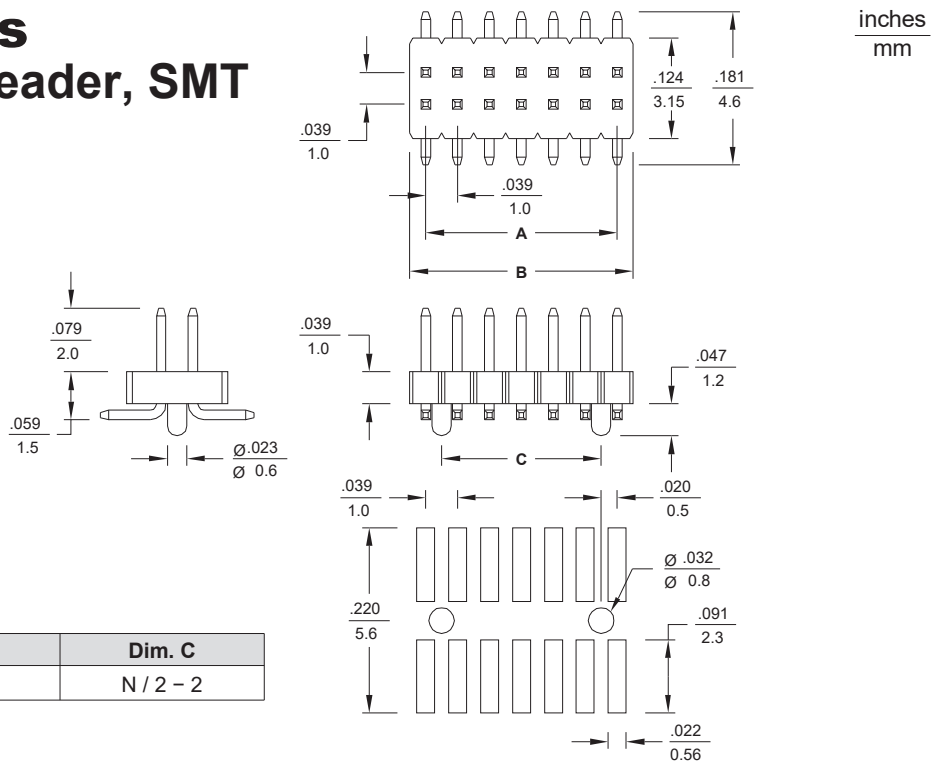
&& N = 2 ~ 50



Recommended P. C. B. hole dimension

1098-xx-P Series Dual Row Vertical Header, SMT

- 4 ~ 100 circuits available
- Material: UL 94V-0 nylon 6T, Black
- Contact: Copper alloys
- Finished: Gold-flash over nickel
- .0118"(0.3mm) square pin



Dimensional Information (mm)

Circuits	Dim. A	Dim. B	Dim. C
N	N / 2 - 1	N / 2	N / 2 - 2

&& N = 4 ~ 100

Recommended P. C. B. hole dimension



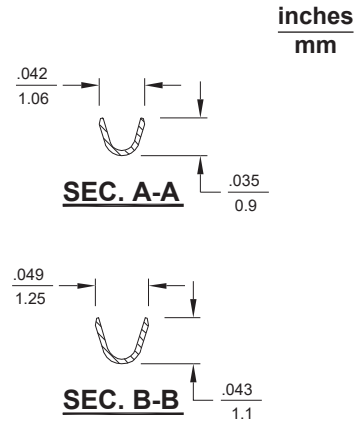
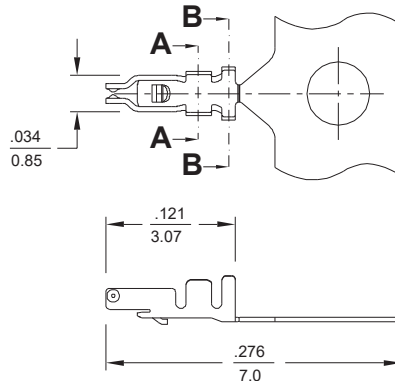
.047"(1.2mm) Crimp Terminal Housing

Specification:

- Current rating: 2A AC/DC
- Voltage rating: 50V AC/DC
- Contact resistance: 10mΩ Max.
- Insulation resistance: 100MΩ Min.
- Dielectric withstanding voltage: 500V AC/minute
- Operation temperature range: -25°C ~ 85°C

1201T-53 Crimp Terminal

- Material: Phosphor bronze
- Finished: Gold-flash over nickel
- Used in ALEX 1202-xx-53 housing
- Wire range: #28 ~ #30 AWG
- Thickness: 0.12mm



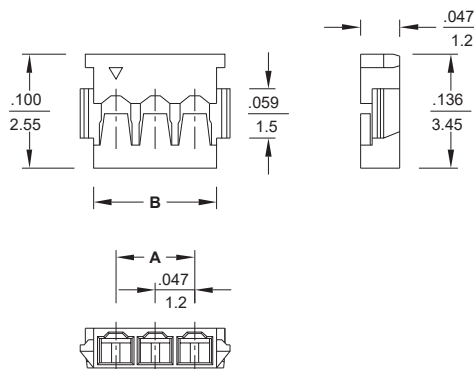
1202-xx-53 Series Crimp Terminal Housing

- 2 ~ 6 circuits available
- Material: UL 94V-0 nylon 66, Black
- Accepts ALEX 1201T-53 terminal
- Mates with ALEX 1203-xx-53 header

Dimensional Information (mm)

Circuits	Dim. A	Dim. B
N	$1.2 \times (N - 1)$	$1.2 \times N + 0.15$

&& N = 2 ~ 6



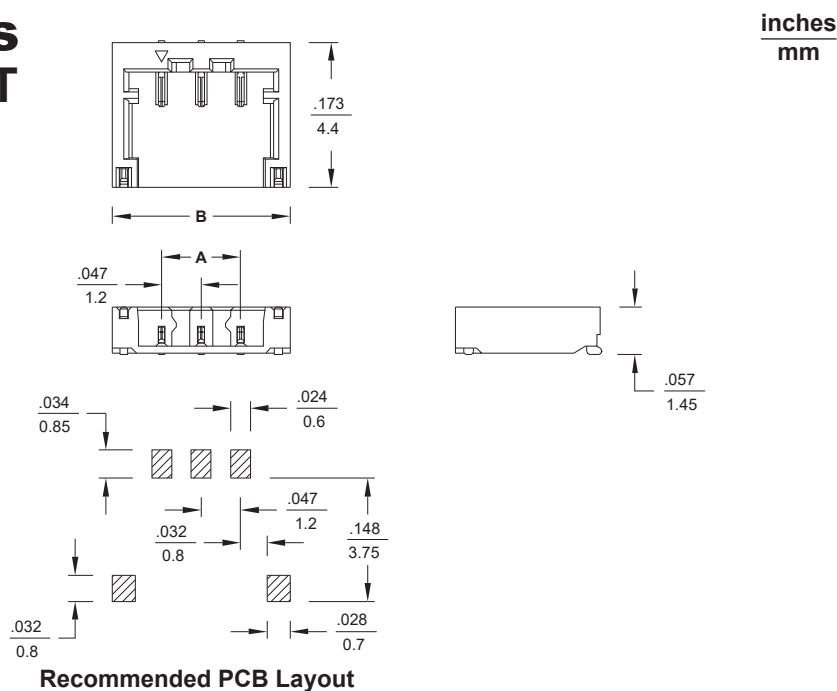
1203-xx-1-53 Series Right Angle Header, SMT

- 2 ~ 6 circuits available
- Material: Nylon 6T
- Contact: Gold-flash over nickel, phosphor bronze
- Solder tab: Nickel-plated brass
- Mates with ALEX 1202-xx-53 housing
- Packing: Tape & reel

Dimensional Information (mm)

Circuits	Dim. A	Dim. B
N	$1.2 \times (N - 1)$	$1.2 \times N + 1.8$

&& N = 2 ~ 6



Recommended PCB Layout



.049"(1.25mm) ZIF FPC/FFC Top Entry Dip Type

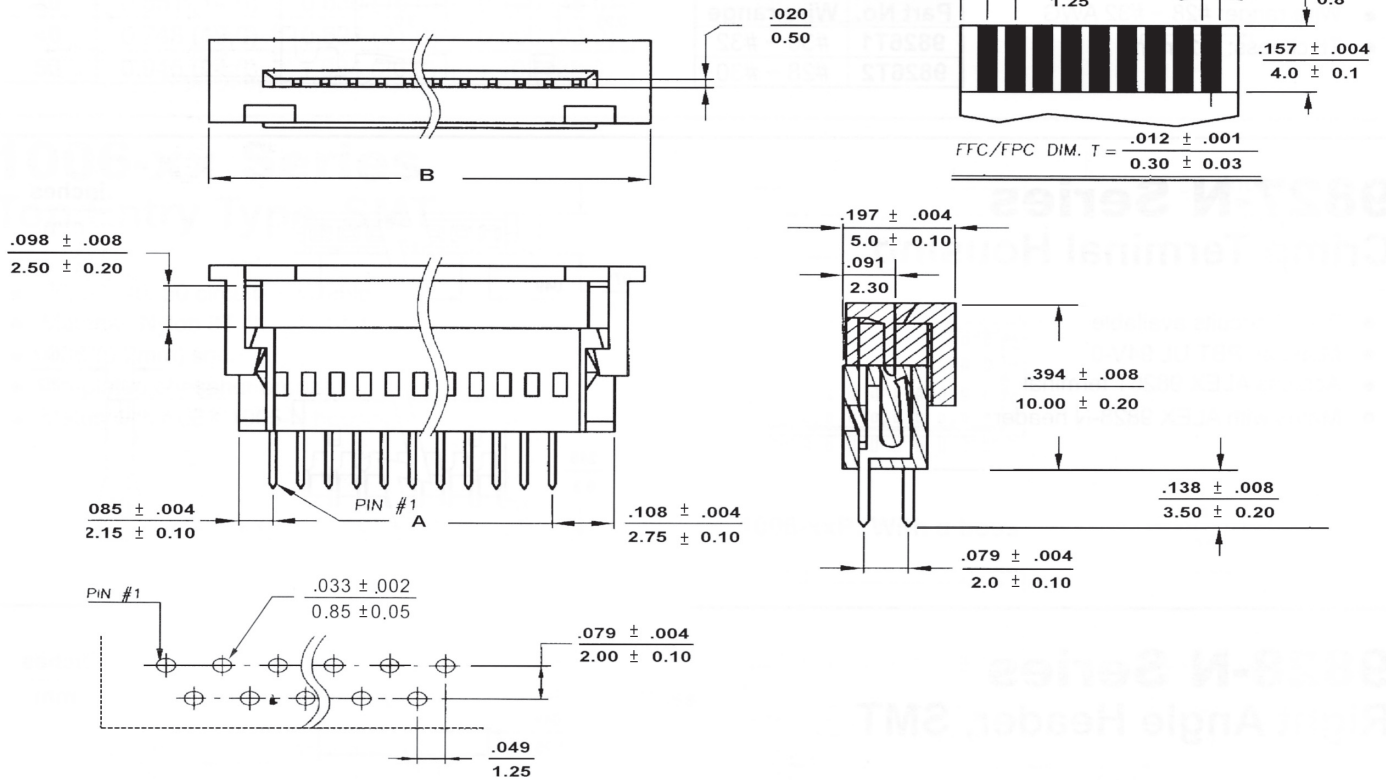
Specifications:

- Current rating: 1A Max.
- Contact resistance: 20 mΩ Max. at DC 100mA
- Insulation resistance: 5000MΩ Min. at DC 500V
- Temperature range: - 55 °C ~ +105 °C

7909-xx-0 Series

Top Entry

- 3~40 circuits available
- Material : 30% Glass filled P.B.T. UL 94V-0
- Tin-plated phosphor bronze
- Packing: Tube



Dimensional Information - in (mm)

Circuits	Dim. A	Dim. B	Circuits	Dim. A	Dim. B	Circuits	Dim. A	Dim. B
3	0.098 (2.50)	0.372 (9.45)	16	0.738 (18.75)	1 012 (25.70)	29	1.378 (35.00)	1.652 (41.95)
4	0.148 (3.75)	0.421 (10.70)	17	0.787 (20.00)	1.061 (26.95)	30	1.427 (36.25)	1.701 (43.20)
5	0.197 (5.00)	0.470 (11.95)	18	0.837 (21.25)	1 110 (28.20)	31	1.476 (37.50)	1.750 (44.45)
6	0.246 (6.25)	0.520 (13.20)	19	0.886 (22.50)	1 159 (29.45)	32	1.526 (38.75)	1.799 (45.70)
7	0.295 (7.50)	0.569 (14.45)	20	0.935 (23.75)	1.209 (30.70)	33	1.575 (40.00)	1.848 (46.95)
8	0.344 (8.75)	0.618 (15.70)	21	0.984 (25.00)	1.258 (31.95)	34	1.624 (41.25)	1.898 (48.20)
9	0.394 (10.00)	0.667 (16.95)	22	1.033 (26.25)	1.307 (33.20)	35	1.673 (42.50)	1.947 (49.45)
10	0.443 (11.25)	0.717 (18.20)	23	1.083 (27.50)	1.356 (34.45)	36	1.722 (43.75)	1.996 (50.70)
11	0.492 (12.50)	0.766 (19.45)	24	1.132 (28.75)	1.406 (35.70)	37	1.772 (45.00)	2.045 (51.95)
12	0.541 (13.75)	0.815 (20.70)	25	1.181 (30.00)	1.455 (36.95)	38	1.821 (46.25)	2.094 (53.20)
13	0.591 (15.00)	0.864 (21.95)	26	1.230 (31.25)	1.504 (38.20)	39	1.870 (47.50)	2.144 (54.45)
14	0.640 (16.25)	0.913 (23.20)	27	1.280 (32.50)	1.553 (39.45)	40	1.919 (48.75)	2.193 (55.70)
15	0.689 (17.50)	0.963 (24.45)	28	1.329 (33.75)	1.602 (40.70)			



.049"(1.25mm) ZIF FPC/FFC Side Entry Dip Type

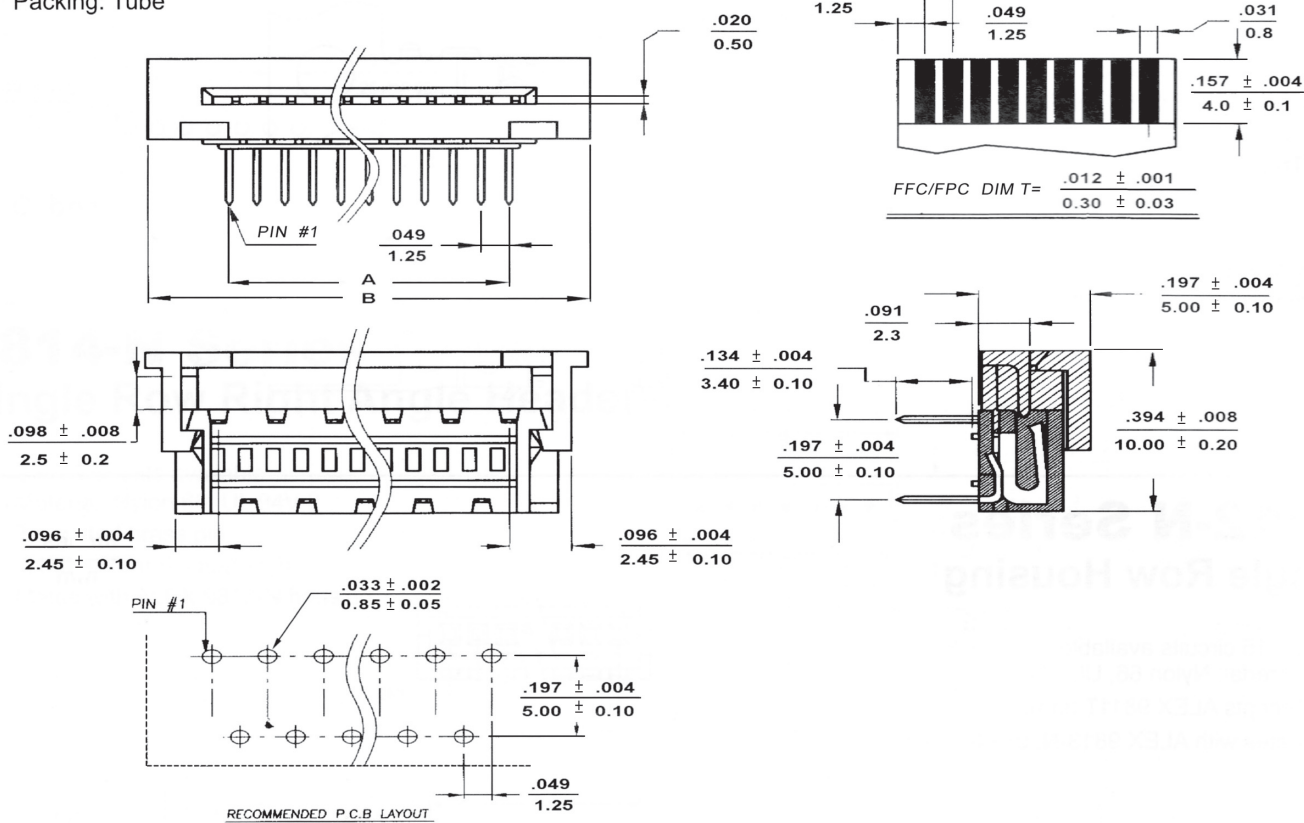
Specifications:

- Current rating: 1A Max.
- Contact resistance: 20 mΩ Max. at DC 100mA
- Insulation resistance: 5000MΩ Min. at DC 500V
- Temperature range: - 55 °C ~ +105 °C

7910-xx-0 Series Side Entry

inches
mm

- 3~40 circuits available
- Material : 30% Glass filled P.B.T. UL 94V-0
- Tin-plated phosphor bronze
- Packing: Tube



Dimensional Information - in (mm)

Circuits	Dim. A	Dim. B	Circuits	Dim. A	Dim. B	Circuits	Dim. A	Dim. B
3	0.098 (2.50)	0.372 (9.45)	16	0.738 (18.75)	1.012 (25.70)	29	1.378 (35.00)	1.652 (41.95)
4	0.148 (3.75)	0.421 (10.70)	17	0.787 (20.00)	1.061 (26.95)	30	1.427 (36.25)	1.701 (43.20)
5	0.197 (5.00)	0.470 (11.95)	18	0.837 (21.25)	1.110 (28.20)	31	1.476 (37.50)	1.750 (44.45)
6	0.246 (6.25)	0.520 (13.20)	19	0.886 (22.50)	1.159 (29.45)	32	1.526 (38.75)	1.799 (45.70)
7	0.295 (7.50)	0.569 (14.45)	20	0.935 (23.75)	1.209 (30.70)	33	1.575 (40.00)	1.848 (46.95)
8	0.344 (8.75)	0.618 (15.70)	21	0.984 (25.00)	1.258 (31.95)	34	1.624 (41.25)	1.898 (48.20)
9	0.394 (10.00)	0.667 (16.95)	22	1.033 (26.25)	1.307 (33.20)	35	1.673 (42.50)	1.947 (49.45)
10	0.443 (11.25)	0.717 (18.20)	23	1.083 (27.50)	1.356 (34.45)	36	1.722 (43.75)	1.996 (50.70)
11	0.492 (12.50)	0.766 (19.45)	24	1.132 (28.75)	1.406 (35.70)	37	1.772 (45.00)	2.045 (51.95)
12	0.541 (13.75)	0.815 (20.70)	25	1.181 (30.00)	1.455 (36.95)	38	1.821 (46.25)	2.094 (53.20)
13	0.591 (15.00)	0.864 (21.95)	26	1.230 (31.25)	1.504 (38.20)	39	1.870 (47.50)	2.144 (54.45)
14	0.640 (16.25)	0.913 (23.20)	27	1.280 (32.50)	1.553 (39.45)	40	1.919 (48.75)	2.193 (55.70)
15	0.689 (17.50)	0.963 (24.45)	28	1.329 (33.75)	1.602 (40.70)			

.049" (1.25mm) Non ZIF FPC/FFC Dip Type

Specification:

- Current rating: 1A
- Contact resistance: 20mΩ Max.
- Insulation resistance: 5000MΩ Min. at DC 500V
- Ambient temperature range: -55°C ~ 105°C

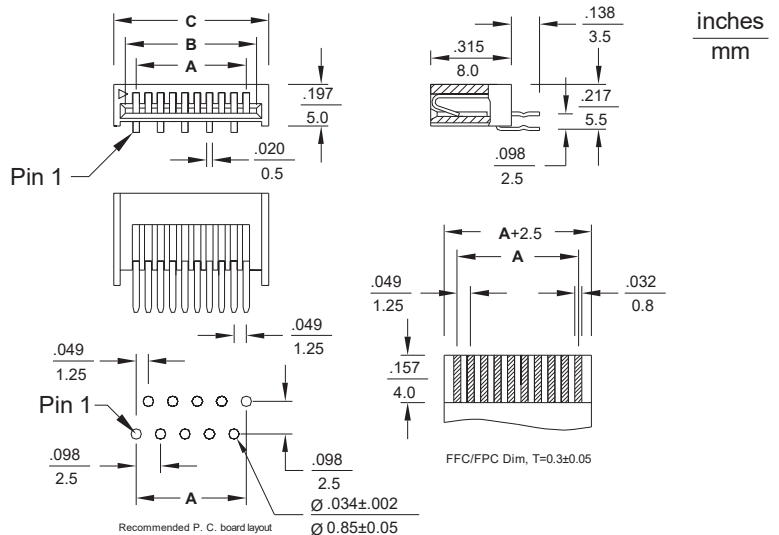
7913-xx-1 Series Top Entry Single Contact

- 4 ~ 32 circuits available
- Housing: 30% glass filled PBT UL 94V-0
- Contact: Tin-plated phosphor bronze
- Packing: Tape & Reel

Dimensional Information (mm)

Circuits	Dim. A	Dim. B	Dim. C
N	1.25 x (N - 1)	1.25 x N + 1.3	1.25 x N + 3.4

& N = 4 ~ 12



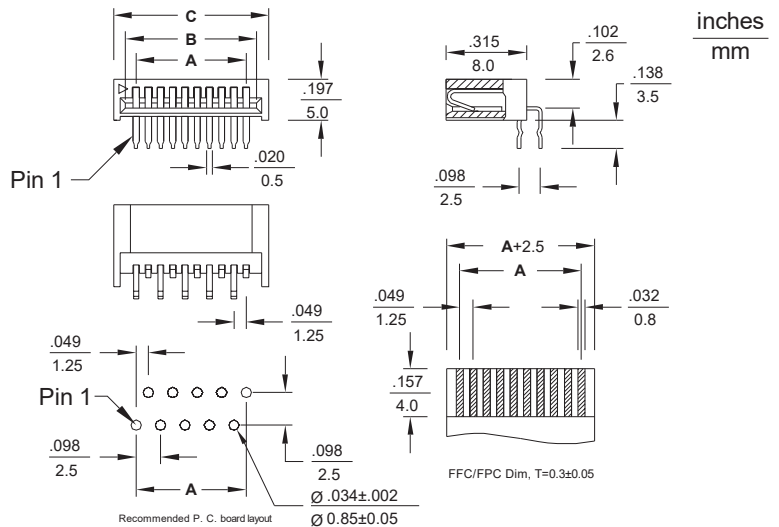
7914-xx-1 Series Side Entry Single Contact

- 4 ~ 32 circuits available
- Housing: 30% glass filled PBT UL 94V-0
- Contact: Tin-plated phosphor bronze
- Packing: Tube or Tape & Reel

Dimensional Information (mm)

Circuits	Dim. A	Dim. B	Dim. C
N	1.25 x (N - 1)	1.25 x N + 1.3	1.25 x N + 3.4

& N = 4 ~ 32



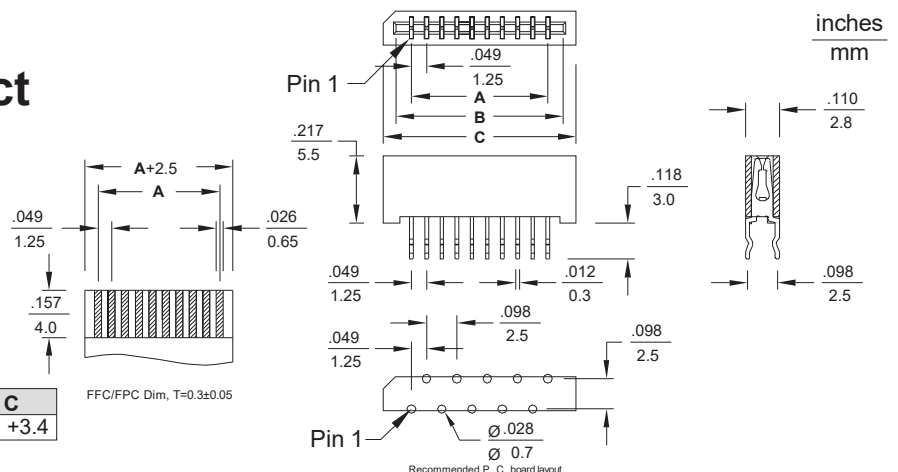
7915-xx-2 Series Top Entry Dual Contact

- 3 ~ 30 circuits available
- Housing: High temperature thermoplastic
- Contact: Brass
- Plating: Tin/Lead plated over nickel
- Packing: Tube or Tape & Reel

Dimensional Information (mm)

Circuits	Dim. A	Dim. B	Dim. C
N	1.25 x (N - 1)	1.25 x N + 1.35	1.25 x N + 3.4

& N = 3 ~ 30





.049" (1.25mm) Pitch Wire-to-Board Connector

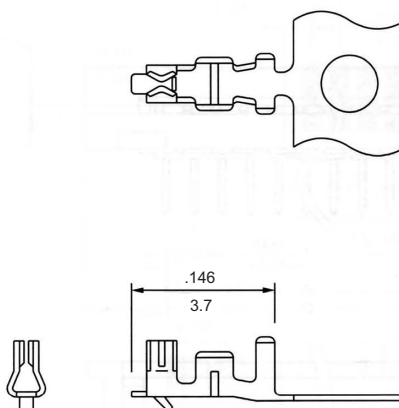
Specifications:

- Current rating: 1A
- Voltage rating: 100V AC, DC
- Dielectric withstanding voltage: 500V AC/minute
- Insulation resistance: 500MΩ min.
- Contact resistance: 20mΩ max.
- Ambient temperature range: -25 °C ~ 85 °C (including temperature rise)
- UL file No. : E114003

9811T Series Crimp Terminal

inches
mm

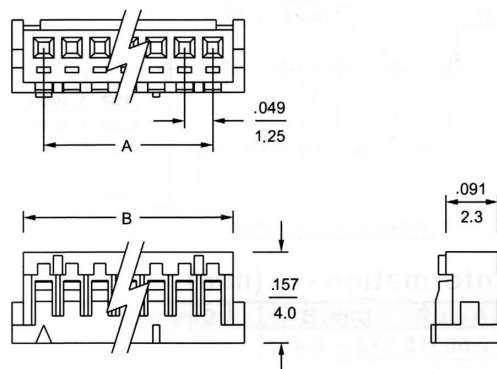
- Material: Phosphor bronze
- Finished: Tin-plated
- Used in ALEX 9812-N, 9815-N series housings
- Wire range: AWG #28 ~ #32
- Thickness: 0.15mm



9812-N Series Single Row Housing

inches
mm

- 2 ~ 15 circuits available
- Material: Nylon 66, UL 94V-0
- Accepts ALEX 9811T terminal
- Mates with ALEX 9813-N, 9814-N headers



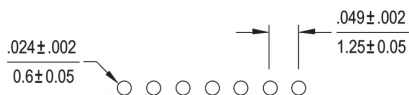
Dimensional Information - in (mm)

Circuits	Dim. A	Dim. B	Circuits	Dim. A	Dim. B	Circuits	Dim. A	Dim. B
2	0.049 (1.25)	0.120 (3.05)	7	0.295 (7.50)	0.366 (9.30)	12	0.541 (13.75)	0.612 (15.55)
3	0.098 (2.50)	0.169 (4.30)	8	0.344 (8.75)	0.415 (10.55)	13	0.591 (15.00)	0.661 (16.80)
4	0.148 (3.75)	0.219 (5.55)	9	0.394 (10.00)	0.465 (11.80)	14	0.640 (16.25)	0.711 (18.05)
5	0.197 (5.00)	0.268 (6.80)	10	0.443 (11.25)	0.514 (13.05)	15	0.689 (17.50)	0.768 (19.50)
6	0.246 (6.25)	0.317 (8.05)	11	0.492 (12.50)	0.563 (14.30)			

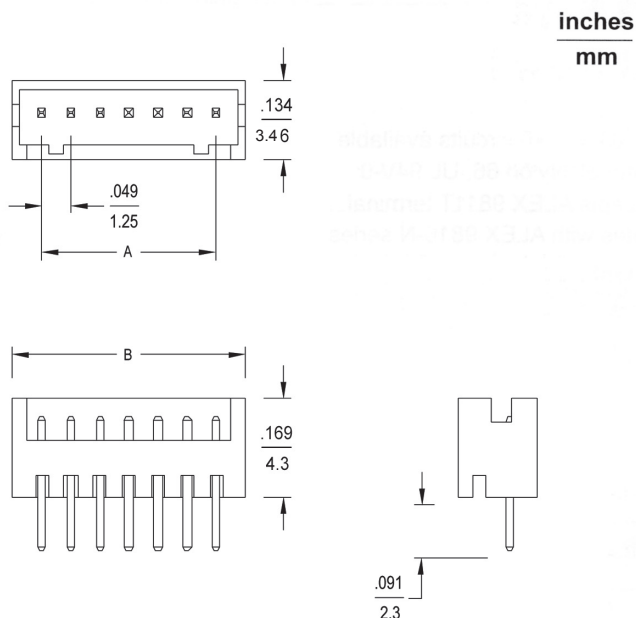
.049"(1.25mm) Pitch Wire-to-Board Connector

9813-N Series Single Row Vertical Header

- 2 ~ 15 circuits available
- Material: Nylon 66, UL 94V-0
- Tin-plated brass pin
- .014"(0.35mm) square pin
- Mates with ALEX 9812-N housing

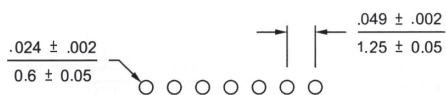


P. C. board hole dimensions

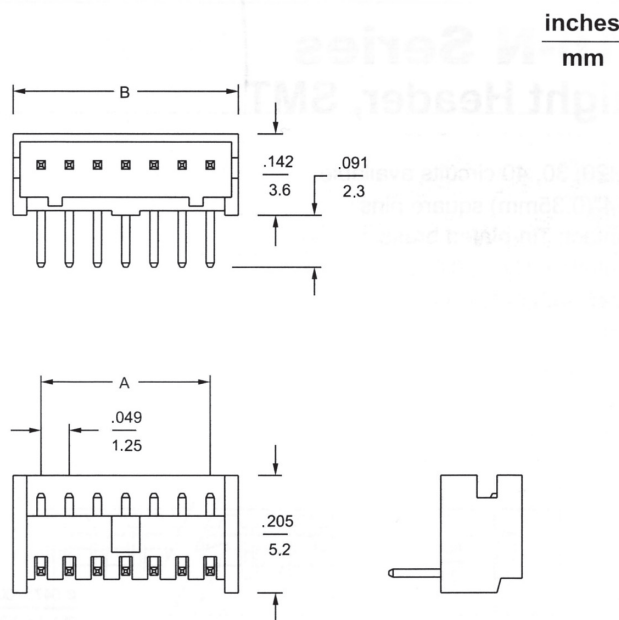


9814-N Series Single Row Right Angle Header

- 2 ~ 15 circuits available
- Material: Nylon 66, UL 94V-0
- Tin-plated brass pin
- .014"(0.35mm) square pin
- Mates with ALEX 9812-N housing



P. C. board hole dimensions



Dimensional Information - in (mm) 9813 / 9814

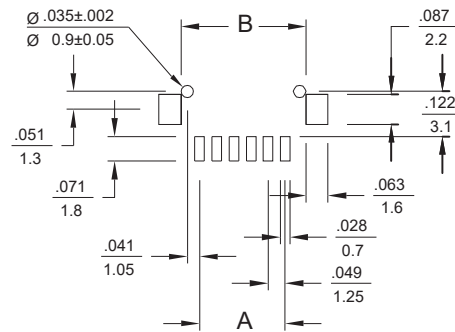
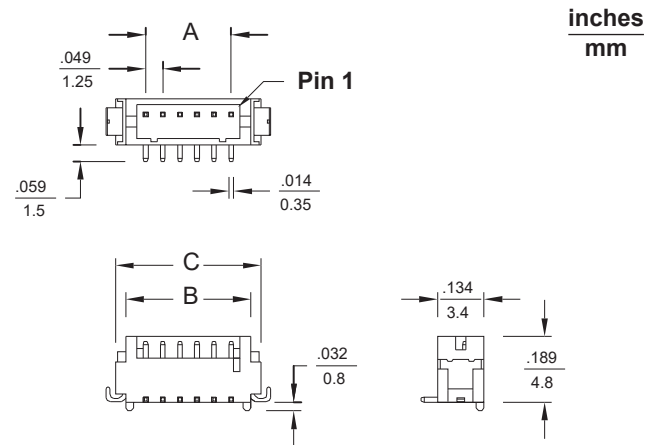
Circuits	Dim. A	Dim. B	Circuits	Dim. A	Dim. B	Circuits	Dim. A	Dim. B
2	0.049 (1.25)	0.148 (3.75)	7	0.295 (7.50)	0.394 (10.00)	12	0.541 (13.75)	0.640 (16.25)
3	0.098 (2.50)	0.197 (5.00)	8	0.344 (8.75)	0.443 (11.25)	13	0.591 (15.00)	0.689 (17.50)
4	0.148 (3.75)	0.246 (6.25)	9	0.394 (10.00)	0.492 (12.50)	14	0.640 (16.25)	0.738 (18.75)
5	0.197 (5.00)	0.295 (7.50)	10	0.443 (11.25)	0.541 (13.75)	15	0.689 (17.50)	0.787 (20.00)
6	0.246 (6.25)	0.344 (8.75)	11	0.492 (12.50)	0.591 (15.00)			



.049"(1.25mm) Pitch Wire-to-Board Connector

9817-N Series Single Row Vertical Header, SMT

- 2 ~ 15 circuits available
- Plastic material: UL 94V-0 nylon 6T
- Pin material: Tin-plated phosphor bronze
- Solder tabs material: Tin-plated brass
- Mates with ALEX 9812-N housing



Recommended PCB Layout

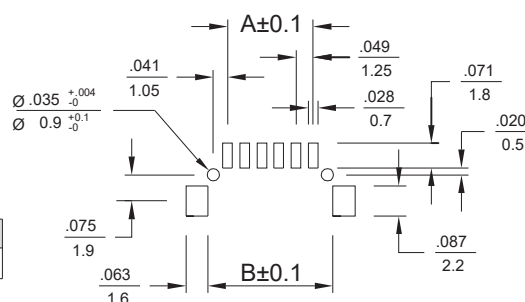
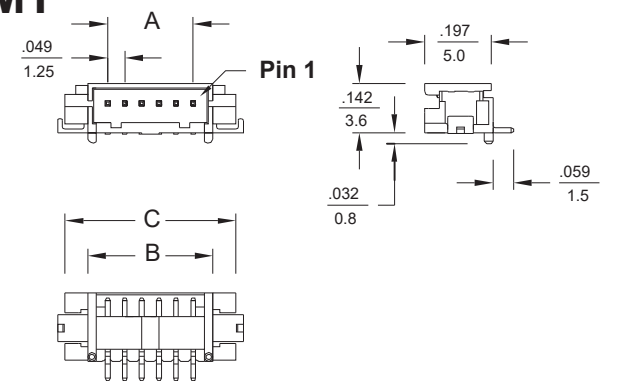
Dimensional Information (mm)

Circuits	Dim. A	Dim. B	Dim. C
N	1.25 x (N - 1)	1.25 x N + 1.65	1.25 x N + 3.75

&& N = 2 ~ 15

9818-N Series Single Row Right Angle Header, SMT

- 2 ~ 15 circuits available
- Plastic material: UL 94V-0 nylon 6T
- Pin material: Tin-plated phosphor bronze
- Solder tabs material: Tin-plated brass
- Mates with ALEX 9812-N housing



Recommended PCB Layout

Dimensional Information (mm)

Circuits	Dim. A	Dim. B	Dim. C
N	1.25 x (N - 1)	1.25 x N + 1.65	1.25 x N + 3.75

&& N = 2 ~ 12

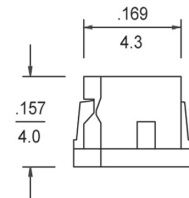
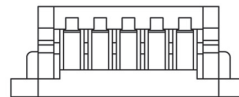
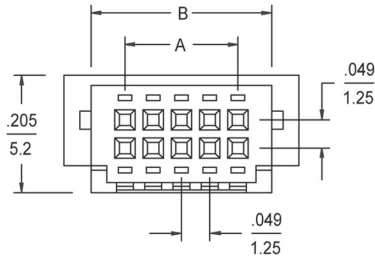


.049"(1.25mm) Pitch Wire-to-Board Connector

9815-N Series Dual Row Housing

inches
mm

- 10, 20, 30, 40 circuits available
- Material: Nylon 66, UL 94V-0
- Accepts ALEX 9811T terminal
- Mates with ALEX 9816-N series header



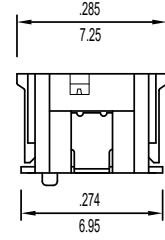
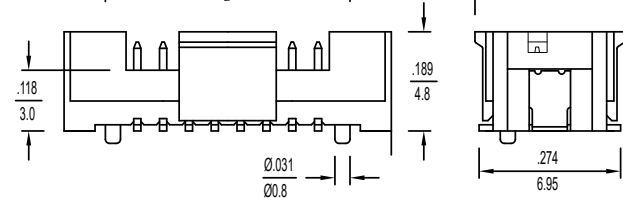
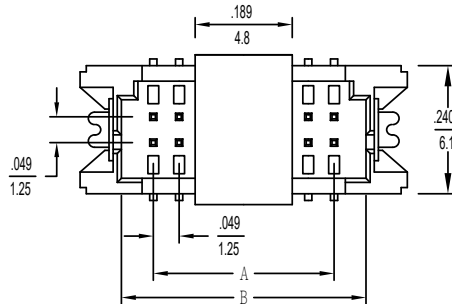
Dimensional Information - in (mm)

Circuits	Dim. A	Dim. B
10	0.197 (5.00)	.311 (7.9)
20	0.443 (11.25)	.557 (14.15)
30	0.689 (17.50)	.803 (20.40)
40	0.935 (23.75)	1.05 (26.65)

9816 Series Vertical Header, SMT

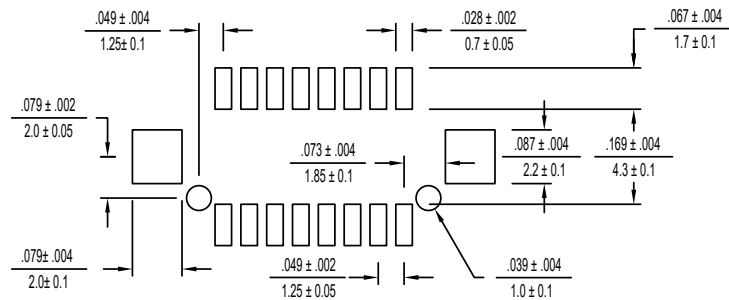
inches
mm

- 10, 20, 30, 40 circuits available
- .014"(0.35mm) square pin
- Contact: Gold-flash brass
- Insulation: Nylon 9T
- Mates with ALEX 9815-N housing



Dimensional Information - in (mm)

Circuits	Dim. A	Dim. B
10	0.197 (5.00)	0.319 (8.10)
20	0.443 (11.25)	0.565 (14.35)
30	0.689 (17.50)	0.811 (20.60)
40	0.935 (23.75)	1.057 (26.85)



PCB Layout: Solider side



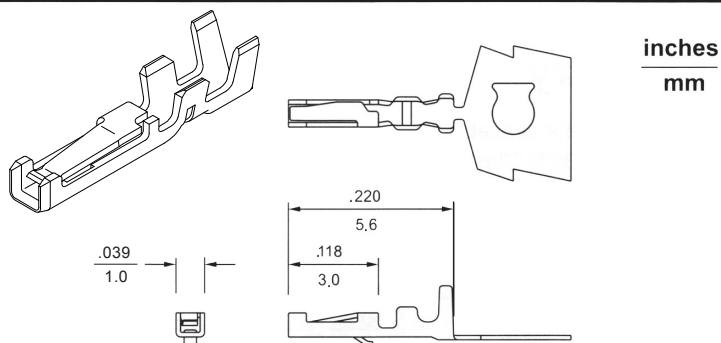
.049"(1.25mm) Wire-to-Board Connector

Specifications:

- Current rating: 1A AC, DC
- Voltage rating: 100V AC, DC
- Contact resistance: 20mΩ Max.
- Insulation resistance: 100MΩ Min.
- Dielectric withstanding voltage: 250V AC/minute
- Ambient temperature range: -25 °C ~ 85 °C (including temperature rise)
- UL file No. : E114003

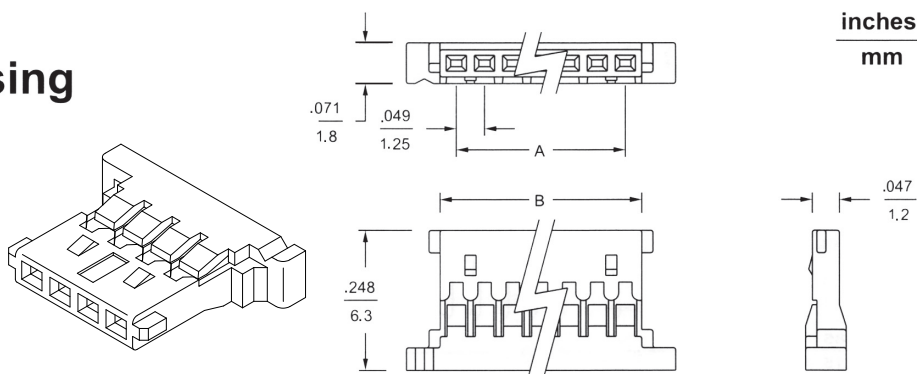
9826T Series Crimp Terminal

- Material: Phosphor bronze
- Finished: Gold-flash (10u")
- Used in ALEX 9827-N housing
- Wire range: #28 ~ #32 AWG
- Thickness: 0.15mm



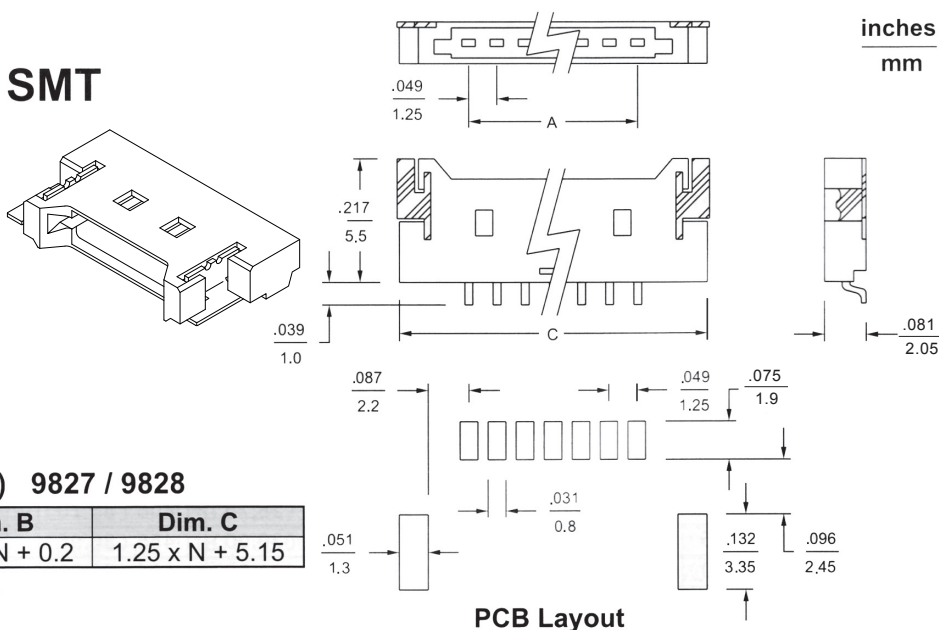
9827-N Series Crimp Terminal Housing

- 2 ~ 30 circuits available
- Material: PBT UL 94V-0
- Accepts ALEX 9826T terminal
- Mates with ALEX 9828-N header



9828-N Series Right Angle Header, SMT

- 2 ~ 30 circuits available
- Material: LCP , UL 94V-0
- Tin-plated phosphor bronze
- Mates with ALEX 9827-N housing



Dimensional Information (mm) 9827 / 9828

Circuits	Dim. A	Dim. B	Dim. C
N	1.25 x (N - 1)	1.25 x N + 0.2	1.25 x N + 5.15

&& N = 2 ~ 16, 18, 20, 22, 24, 26, 28, 30



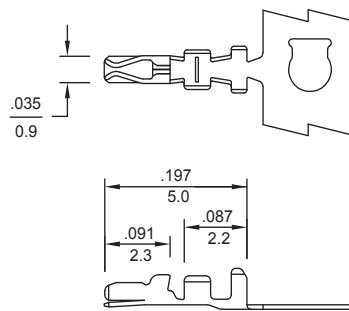
.049"(1.25mm) Wire to Board Connector

Specification

- Current rating: 1AAC
- Voltage rating: 50V AC
- Contact resistance: 50mΩ Max.
- Insulation resistance: 500M Ω Min.
- Dielectric withstanding voltage: 150V/minute
- Temperature range: -25°C ~ 85°C
(Including temperature rise)

9830T Crimp Terminal

- Material: Phosphor Bronze
- Finished: Tin-plated
- Wire range: AWG #28 ~ #34
- Used in ALEX 9831-N housing
- Thickness: 0.15mm



inches
mm

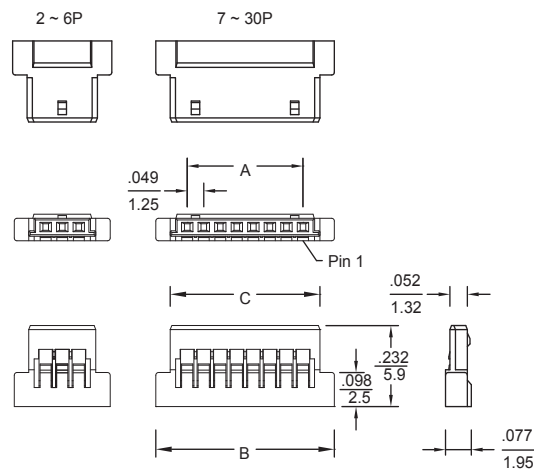
9831-N Crimp Terminal Housing

- 2 ~ 15, 20, 25, 30 circuits available
- Material: UL 94V-0 nylon 66
- Accepts ALEX 9830T terminal
- Mates with ALEX 9832-xx header

Dimensional Information (mm)

Circuits	Dim. A	Dim. B	Dim. C
N	1.25x(N-1)	A+4.75	A+2.55

&& N = 2 ~ 15, 20, 25, 30



inches
mm

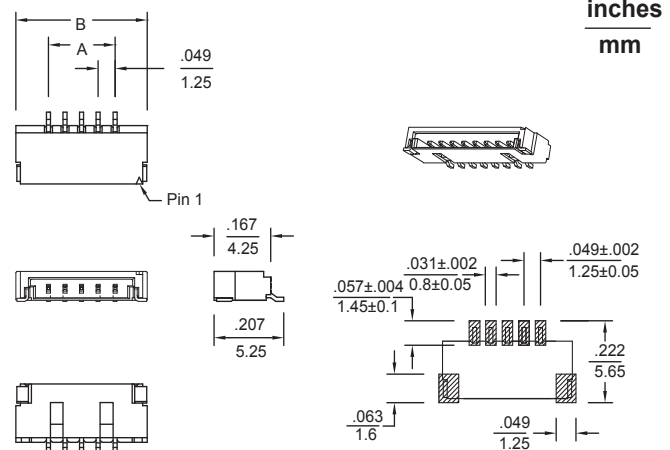
9832-N Right Angle Header, SMT

- 2 ~ 10, 14, 15, 20, 25, 30 circuits available
- Material: UL 94V-0 nylon 9T
- Contact: Copper alloy
- Finished: Tin-plated
- Mates with ALEX 9831-N housing

Dimensional Information (mm)

Circuits	Dim. A	Dim. B
N	1.25x(N-1)	A+4.85

&& N = 2 ~ 10, 14, 15, 20, 25, 30



inches
mm

P.C.B Pattern dimension (REF.)



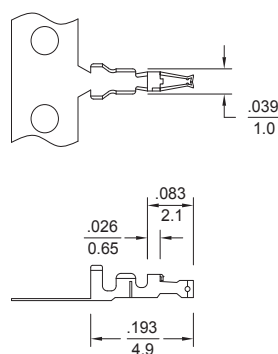
.049" (1.25mm) Wire to Board Connector

Specification

- Current rating: 1A AC
- Voltage rating: 250V AC
- Insulation resistance: 1000M Ω Min.
- Dielectric withstanding voltage: 500V/minute
- Temperature range: -25°C ~ 85°C (Including temperature rise)

9851T Crimp Terminal

- Material: Phosphor Bronze
- Thickness: 0.15mm
- Finished: Tin-plated
- Wire range: #28 ~ #32 AWG
- Used in ALEX 9852-N housing



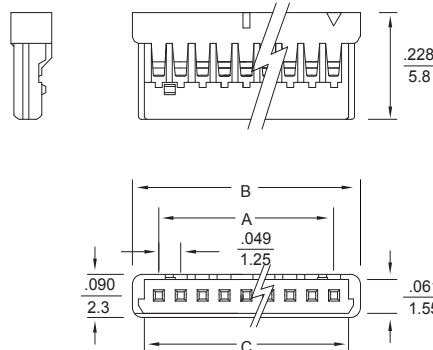
inches
mm

9852-N Series Crimp Terminal Housing

- 20, 25, 30 circuits available
- Material: UL 94V-0 nylon 66
- Accepts ALEX 9851T terminal
- Mates with ALEX 9853-N header

Dimensional Information

Circuits	Dim. A	Dim. B	Dim. C
20	0.935(23.75)	1.061(26.95)	1.002(25.45)
25	1.181(30.00)	1.307(33.20)	1.248(31.70)
30	1.427(36.25)	1.553(39.45)	1.494(37.95)



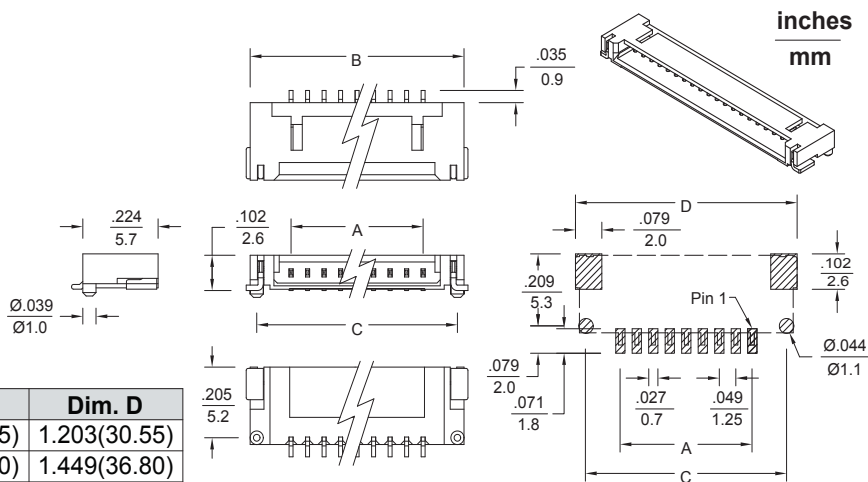
inches
mm

9853-N Series Right Angle Header, SMT

- 20, 25, 30 circuits available
- Material: High-Temp thermoplastic UL 94V-0
- Tin-plated brass
- Mates with ALEX 9852-N housing

Dimensional Information

Circuits	Dim. A	Dim. B	Dim. C	Dim. D
20	0.935(23.75)	1.179(29.95)	1.140(28.95)	1.203(30.55)
25	1.181(30.00)	1.425(36.20)	1.386(35.20)	1.449(36.80)
30	1.427(36.25)	1.671(42.45)	1.632(41.45)	1.695(43.05)



inches
mm



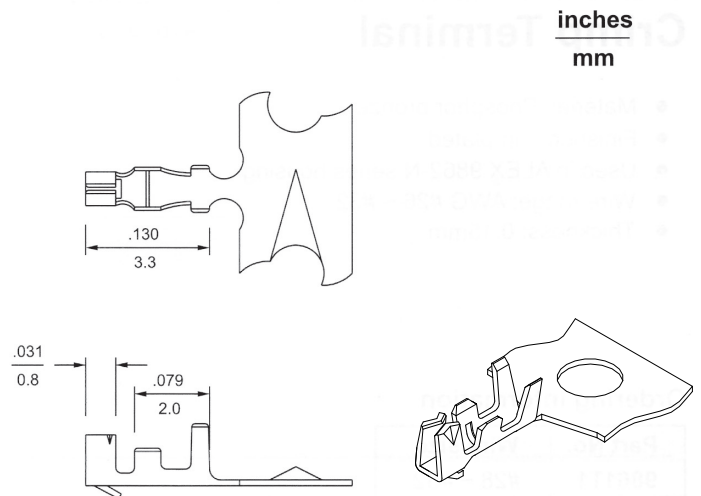
.049"(1.25mm) Pitch Wire-to-Board Crimp Terminal Housing

Specifications:

- Current rating: 1A (0.8A for #32 AWG)
- Voltage rating: 125V
- Dielectric withstanding voltage: 250V AC/minute
- Recommended P.C.B. thickness: .031"(0.8mm)
- Insulation resistance: 100MΩ min.
- Contact resistance: 20mΩ max.
- Ambient temperature range: -40 °C ~ 85 °C (including temperature rise)
- UL File No: E114003

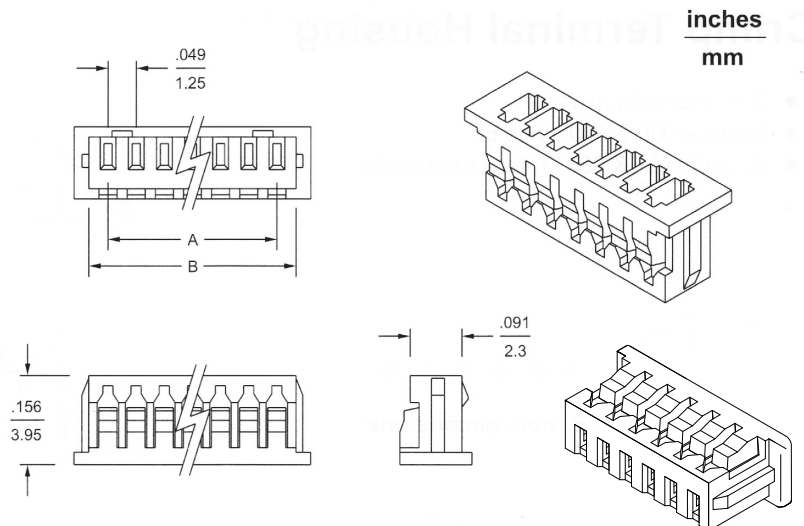
9858T Series Crimp Terminal

- Material: Phosphor bronze
- Finished: Tin-plated
- Used in ALEX 9821-N series housing
- Wire range: AWG #28 ~ #32
- Thickness: 0.15mm



9821-N Series Receptacle Housing

- 2 ~ 15 circuits available
- Material: UL 94V-0 nylon 66
- Accepts ALEX 9858T terminal
- Mates with ALEX 9822-N series housing
- Mates with ALEX 9847, 9848, 9849, 9850 series headers



Dimensional Information - in (mm)

Circuits	Dim. A	Dim. B	Circuits	Dim. A	Dim. B	Circuits	Dim. A	Dim. B
2	.049 (1.25)	.116 (2.95)	7	.295 (7.50)	.362 (9.20)	12	.541 (13.75)	.608 (15.45)
3	.098 (2.50)	.165 (4.20)	8	.344 (8.75)	.411 (10.45)	13	.591 (15.00)	.657 (16.70)
4	.148 (3.75)	.215 (5.45)	9	.394 (10.00)	.461 (11.70)	14	.640 (16.25)	.707 (17.95)
5	.197 (5.00)	.264 (6.70)	10	.443 (11.25)	.510 (12.95)	15	.689 (17.50)	.756 (19.20)
6	.246 (6.25)	.313 (7.95)	11	.492 (12.50)	.560 (14.20)			



.049"(1.25mm) Pitch Wire-to-Board Crimp Terminal Housing

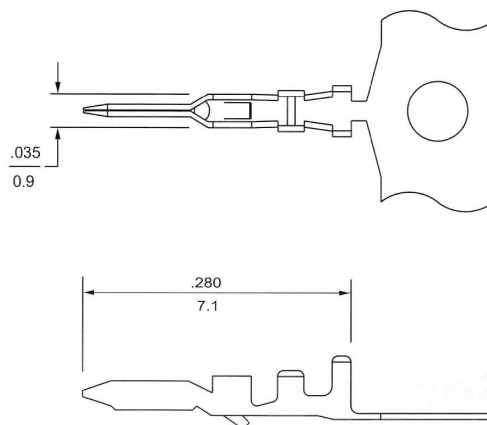
Specifications:

- Current rating: 1A
- Voltage rating: 125V
- Dielectric withstanding voltage: 250V AC/minute
- Insulation resistance: 100M Ω min.
- Contact resistance: 20m Ω max.
- Ambient temperature range: -40 °C ~ 85 °C (including temperature rise)
- UL File No: E114003

9825T Series Crimp Terminal

inches
mm

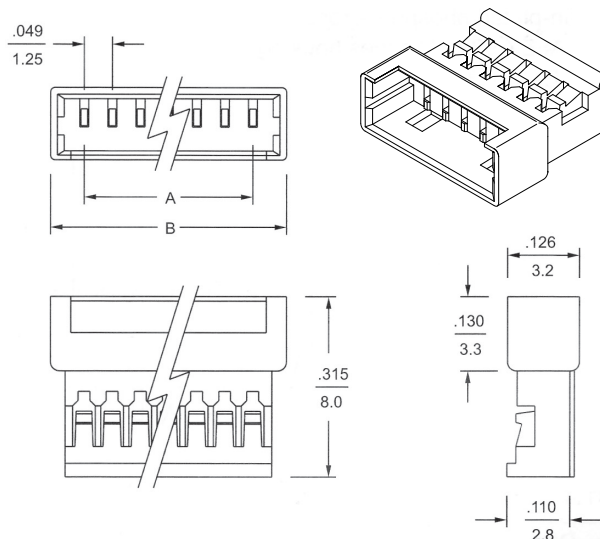
- Material: Phosphor bronze
- Finished: Tin-plated
- Used in ALEX 9822-N series housing
- Wire range: AWG #28 ~ #32
- Thickness: 0.15mm



9822-N Series Plug Housing

inches
mm

- 2 ~ 15 circuits available
- Material: UL 94V-0 nylon 66
- Accepts ALEX 9825T terminal
- Mates with ALEX 9821-N series housing



Dimensional Information (mm)

Circuits	Dim . A	Dim . B
N	1.25 x (N-1)	1.25 x N + 1.75

&& N = 2 ~ 15

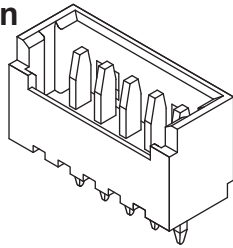
.049" (1.25mm) Pitch Wire-to-Board Headers

9847-N Series Vertical Header

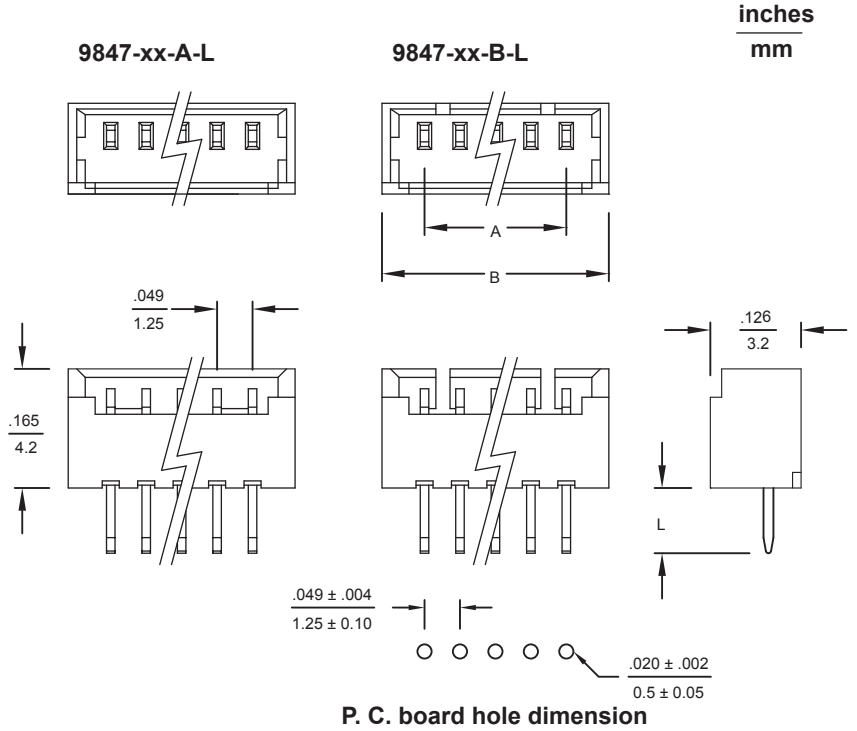
- 2 ~ 15 circuits available
- Material: UL 94V-0 nylon 66
- Finished: Tin-plated phosphor bronze
- Mates with ALEX 9821-N housing
- UL file No.: E114003

Ordering Information

Part No.	Dim. L
9847-xx-A-2.3	2.3
9847-xx-B-2.3	2.3
9847-xx-A-3.0	3.0
9847-xx-B-3.0	3.0
9847-xx-A-3.2	3.2
9847-xx-B-3.2	3.2



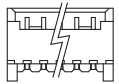
&& xx = 2 ~ 15



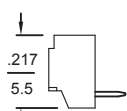
9848-N Series Right Angle Header

- 2 ~ 15 circuits available
- Material: UL 94V-0 nylon 66
- Finished: Tin-plated phosphor bronze
- Mates with ALEX 9821-N housing
- UL file No.: E114003

9848-xx-A-L



9848-xx-B-L



9848-xx-AS-L



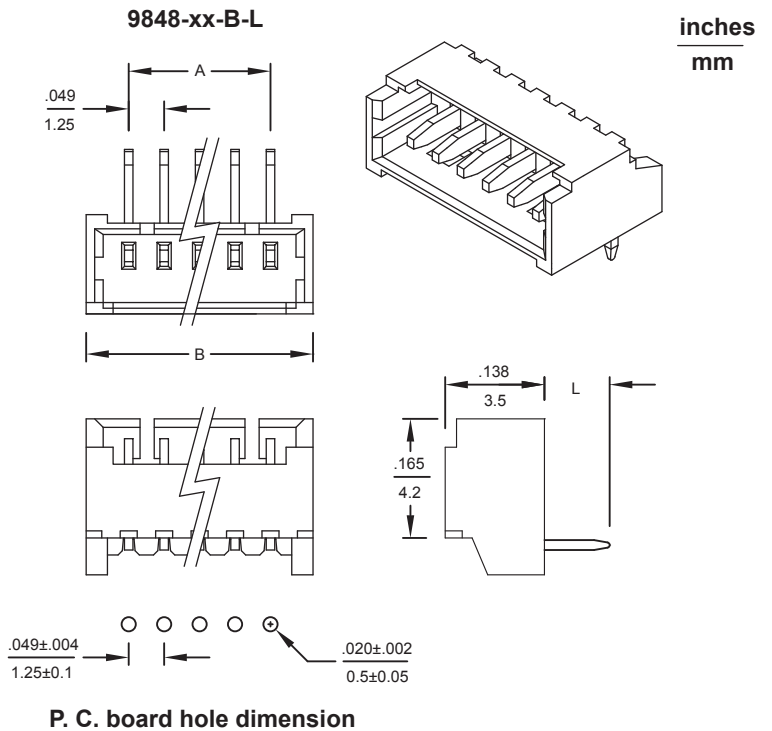
9848-xx-BS-L



Ordering Information (mm)

Part No.	9848-xx-x-L	
Description	x: Type	L: Dim. L
	A	2.3
	B	3.0
	AS	3.2
	BS	3.2

&& xx = 02 ~ 15



Dimensional Information (mm) 9847/9848

Circuits	Dim. A	Dim. B
N	1.25 x (N - 1)	1.25 x N + 1.75

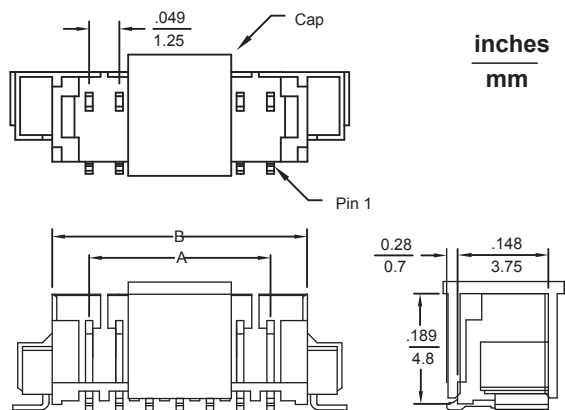
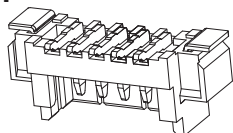
&& N = 2 ~ 15



.049"(1.25mm) Pitch Wire-to-Board Headers

9849-N Series Vertical Header, SMT

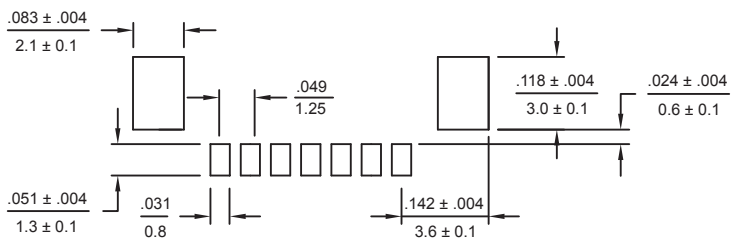
- 2 ~ 15 circuits available
- Material: LCP
- Finished: Tin-plated brass
- Mates with ALEX 9821-N housing
- UL file No.: E114003



Ordering Information

Part No.	Feature
9849-xx	Without Cap
9849-xx-cap	With Cap

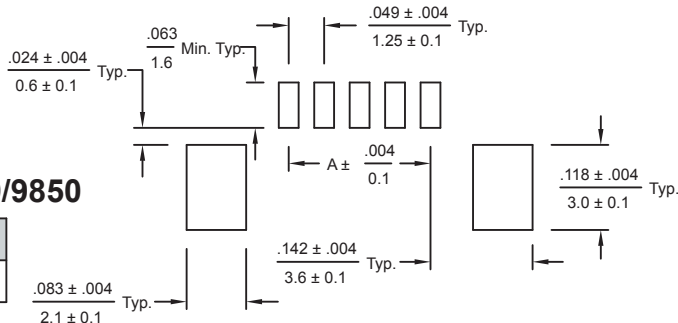
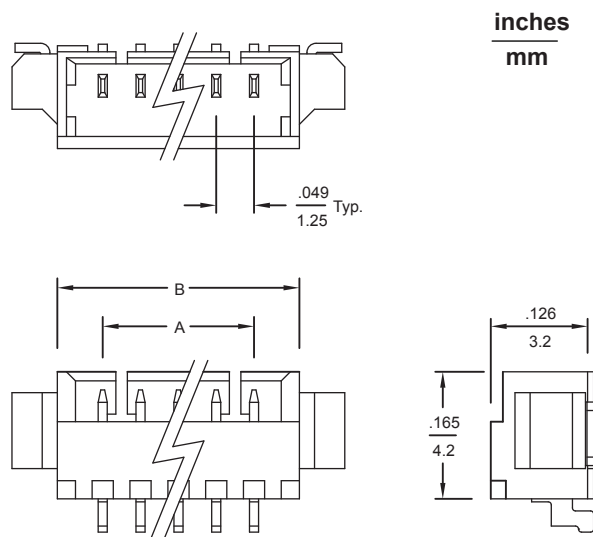
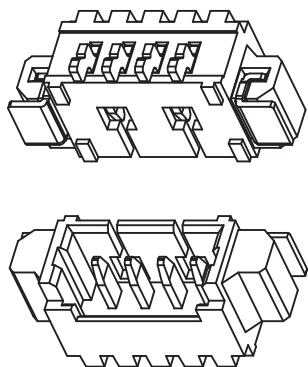
&& xx = 2 ~ 16



PCB Layout: Solider side

9850-N Series Right Angle Header, SMT

- 2 ~ 15 circuits available
- Material: LCP
- Finished: Tin-plated brass
- Mates with ALEX 9821-N housing
- UL file No.: E114003



PCB Layout: Solider side

Dimensional Information (mm) 9849/9850

Circuits	Dim. A	Dim. B
N	1.25 x (N - 1)	1.25 x N + 1.75

&& N = 2 ~ 15



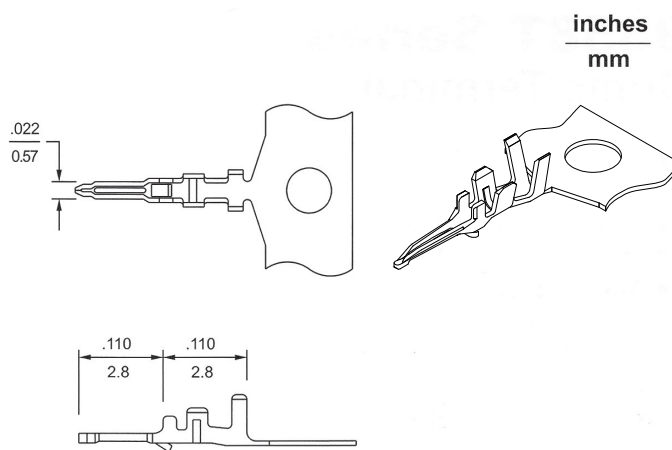
.049"(1.25mm) Pitch Board-In Connector

Specifications:

- Current rating: 1A (0.8A for #32 AWG)
- Voltage rating: 125V
- Withstanding voltage: 250V AC/minute
- Insulation resistance: 100MΩ min.
- Contact resistance on crimped portion: 5mΩ max.
- Temperature rise: -40 °C ~ 85 °C (including temperature rise)
- UL file No. : E114003

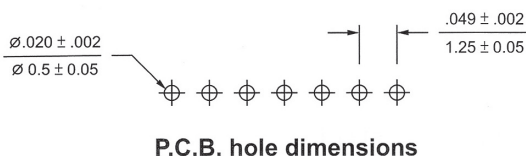
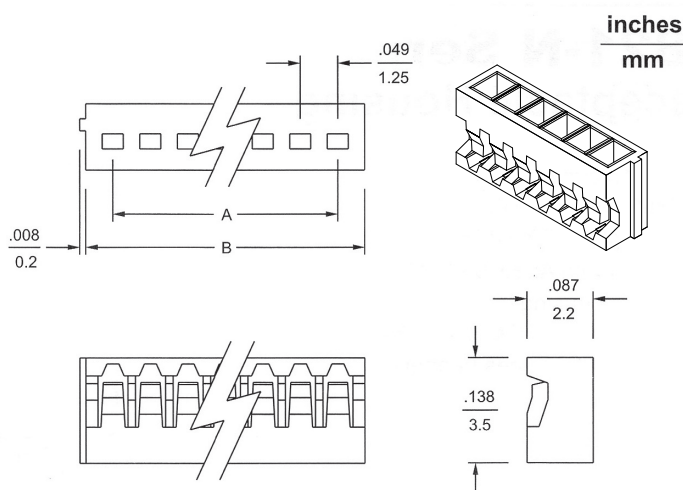
9861T Series Crimp Terminal

- Material: Phosphor bronze
- Finished: Tin-plated
- Used in ALEX 9862-N series housing
- Wire range: AWG #28 ~ #32
- Thickness: 0.15mm



9862-N Series Crimp Terminal Housing

- 2 ~ 15 circuits available
- Material: UL 94V-0 nylon 66
- Accepts ALEX 9861T series terminals



Dimensional Information - in (mm)

Circuits	Dim. A	Dim. B	Circuits	Dim. A	Dim. B	Circuits	Dim. A	Dim. B
2	.049 (1.25)	.120 (3.05)	7	.295 (7.50)	.366 (9.30)	12	.541 (13.75)	.612 (15.55)
3	.098 (2.50)	.169 (4.30)	8	.344 (8.75)	.415 (10.55)	13	.591 (15.00)	.661 (16.80)
4	.148 (3.75)	.219 (5.55)	9	.394 (10.00)	.465 (11.80)	14	.640 (16.25)	.711 (18.05)
5	.197 (5.00)	.268 (6.80)	10	.443 (11.25)	.514 (13.05)	15	.689 (17.50)	.760 (19.30)
6	.246 (6.25)	.317 (8.05)	11	.492 (12.50)	.563 (14.30)			



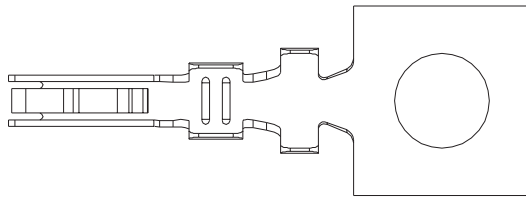
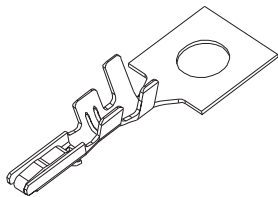
.049"(1.25mm) Pitch Wire-to-Board Connector

Specification:

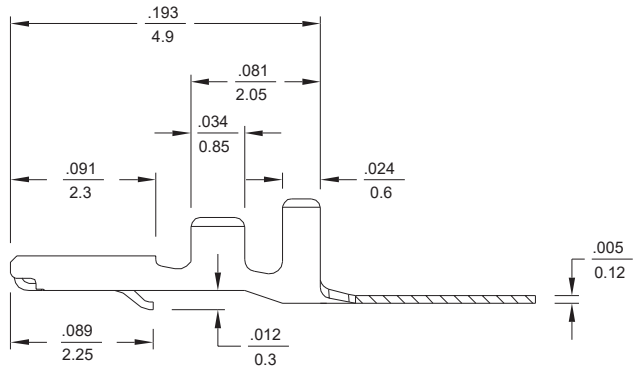
- Current rating: 1A AC,DC
- Voltage rating: 150V AC,DC
- Contact resistance: 40mΩ Max.
After environmental testing: 50mΩ
- Insulation resistance: 100MΩ Min.
- Withstanding voltage: 500V AC/minute
- Temperature range: -25°C ~ 85°C

9871T-56 Crimp Style Connectors

- Material: Phosphor bronze
- Finished: Tin-plated
- Used in ALEX 9872-xx-56 housing
- Wire range: #26 ~ #30 AWG (Ø1.0mm Max.)

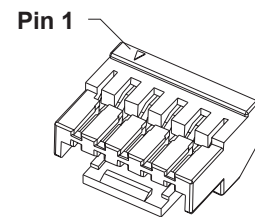
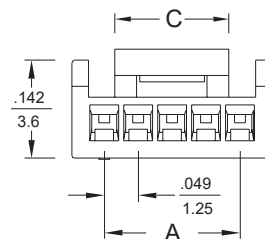


inches
mm

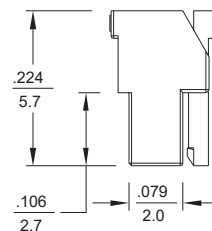
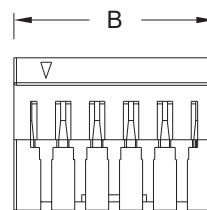


9872-xx-56 Series Crimp Terminal Housing

- 2 ~ 15 circuits available
- Material: UL 94V-0 nylon 66
- Accepts ALEX 9871T-56 terminal
- Mates with ALEX 9873-xx-1-56, 9874-xx-1-56 headers
- Color: Natural (Beige)



inches
mm



Dimensional Information (mm)

Circuits	Dim. A	Dim. B
N	1.25 x (N - 1)	1.25 x N + 1.1

&& N = 2 ~ 15

Dimensional Information - in (mm)

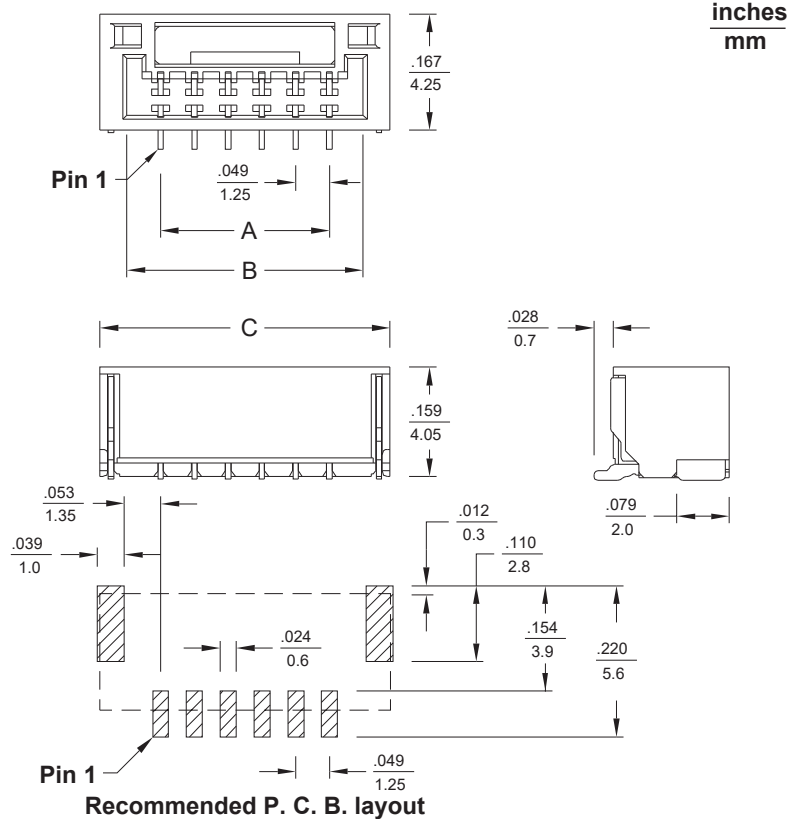
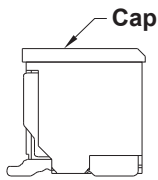
Circuits	2	3	4	5	6	7	8	9	10	11	12	13	14	15
Dim. C	.077(1.95)	.118(3.00)	.167(4.25)								.325(8.25)			



.049"(1.25mm) Pitch Wire-to-Board Connector

9873-xx-1-56 Series Vertical Header, SMT

- 2 ~ 15 circuits available
- Plastic material: PA9T, UL 94V-0
- Pin material: Tin-plated phosphor bronze
- Solder tabs: Tin-plated phosphor bronze
- Mates with ALEX 9872-xx-56 housing
- Package: Tape & reel
- Color: Natural (Beige)



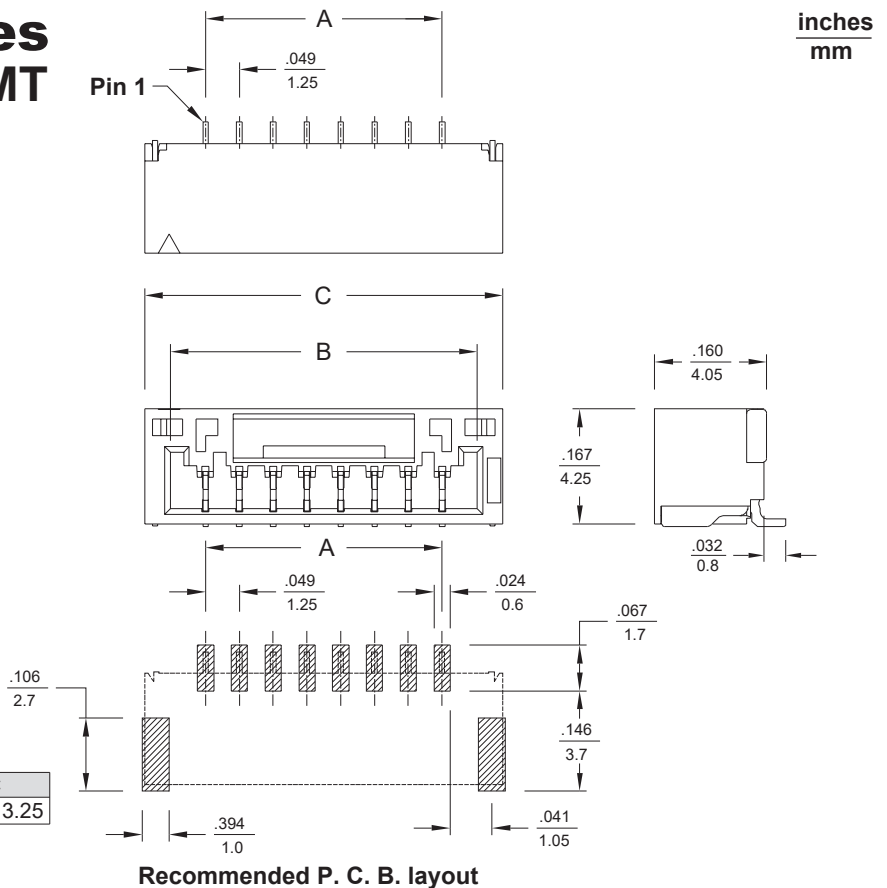
Dimensional Information (mm)

Circuits	Dim. A	Dim. B	Dim. C
N	1.25 x (N - 1)	1.25 x N + 1.35	1.25 x N + 3.25

&& N = 2 ~ 15

9874-xx-1-56 Series Right Angle Header, SMT

- 2 ~ 15 circuits available
- Plastic material: PA9T, UL 94V-0
- Pin material: Tin-plated phosphor bronze
- Solder tabs: Tin-plated phosphor bronze
- Mates with ALEX 9872-xx-56 housing
- Package: Tape & reel
- Color: Natural (Beige)



Dimensional Information (mm)

Circuits	Dim. A	Dim. B	Dim. C
N	1.25 x (N - 1)	1.25 x N + 1.35	1.25 x N + 3.25

&& N = 2 ~ 15

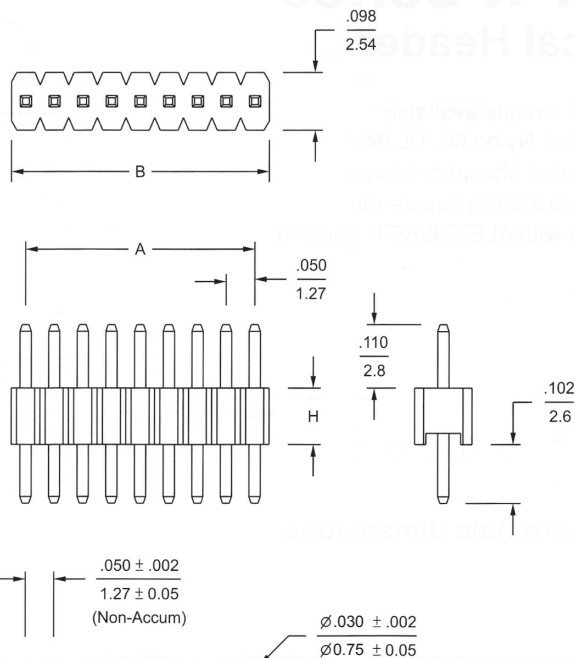


.050"(1.27mm) Center Headers

9901-xx Series Single Row Straight Header

inches
mm

- 2 ~ 50 circuits available
- Material: Nylon-6T
- Gold flash brass
- .018" (0.46mm) square pin
- Mates with ALEX 9903 series header
- Various pin lengths available



Ordering & Dimensional Information (mm)

Part No.	Dim. A	Dim. B	Dim. H
9901-xxA	1.27 x (N - 1)	1.27 x N	2.5
9901-xxB			1.7

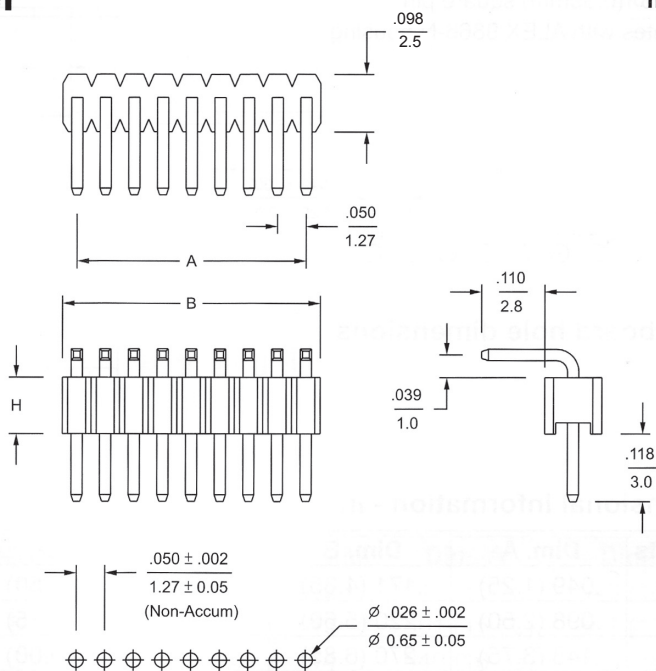
&& N = Number of contact, 2 ~ 50

P.C.B. hole dimensions

9902-xx Series Single Row Right Angle Header

inches
mm

- 2 ~ 50 circuits available
- Material: Nylon-6T
- Gold flash brass
- .018" (0.46mm) square pin
- Mates with ALEX 9903 series header
- Various pin lengths available



Ordering & Dimensional Information (mm)

Part No.	Dim. A	Dim. B	Dim. H
9902-xxA	1.27 x (N - 1)	1.27 x N	2.5
9902-xxB			1.7

&& N = Number of contact, 2 ~ 50

P.C.B. hole dimensions

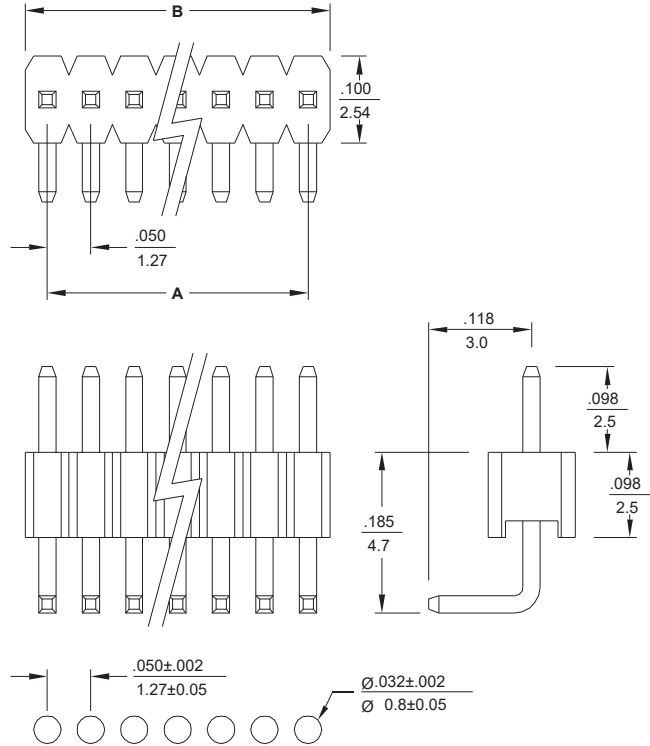


.050"(1.27mm) Center Header

9928-N Series Single Row Right Angle Header

inches
mm

- 2 ~ 50 circuits available
- Material: Nylon 6T
- Contact material: Brass
- Finished: Gold-flash plated over nickel
- .018"(0.46mm) straight square wire pins
- Various pin lengths available

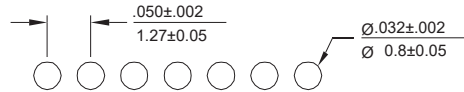


Dimensional Information (mm)

Circuits	Dim. A	Dim. B
N	$1.27 \times (N - 1)$	$1.27 \times N$

&& N = 2 ~ 50

Recommended P. C. B. hole dimension



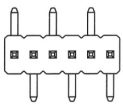


.050" (1.27mm) Single Row Right Angle Header

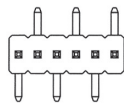
9917-xx Series Right Angle Header, SMT

- 2 ~ 50 circuits available
- Insulator: Nylon 6T
- Contact: Brass
- Gold flash plated over nickel
- .018" (0.46mm) square pin
- Various pin lengths available

9917-xxA



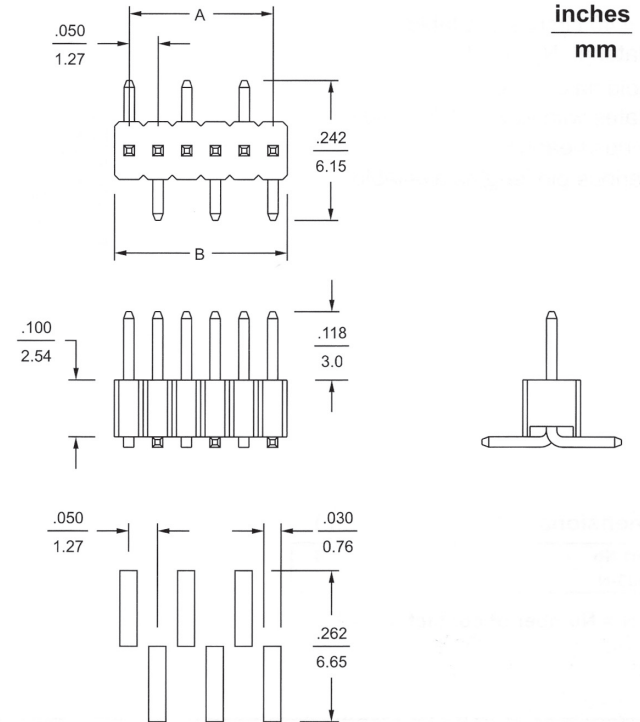
9917-xxB



Dimensional Information (mm)

Part No.	Dim. A	Dim. B
9917-xxA	1.27 x (N - 1)	1.27 x N
9917-xxB		1.27 x N

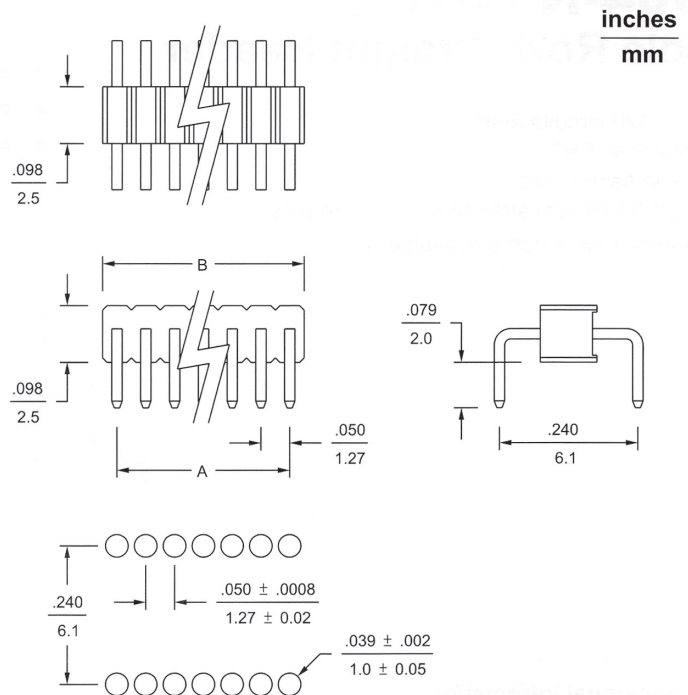
&& N = 2 ~ 50



P. C. board hole dimensions

9921-N Series Right Angle Header

- 2 ~ 50 circuits available
- Insulator: Nylon 6T
- Contact: Brass
- Gold flash plated over nickel
- .018" (0.46mm) square pin
- Various pin lengths available



P. C. board hole dimensions

Dimensional Information (mm)

Part No.	Dim. A	Dim. B
9921-N	1.27 x (N - 1)	1.27 x N

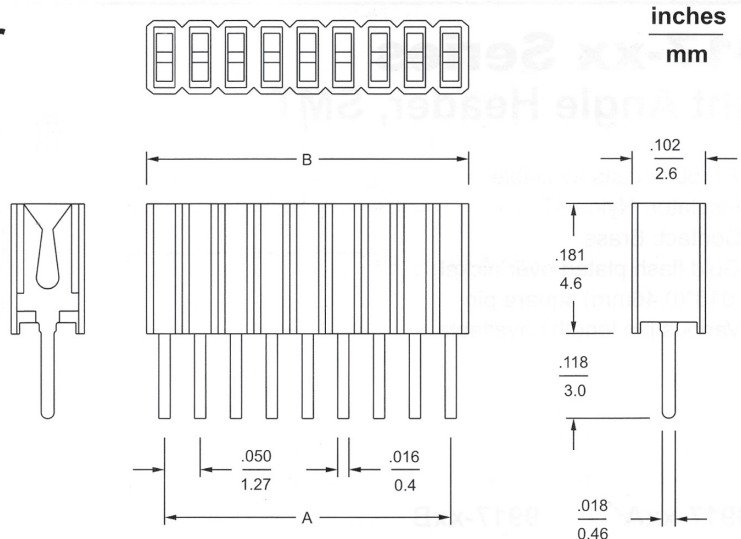
&& N = 2 ~ 50



.050"(1.27mm) Board to Board Center Headers

9903-N Series Single Row Straight Header

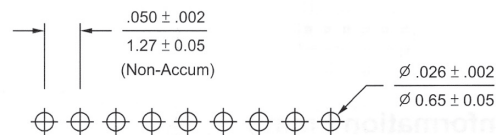
- 2 ~ 40 circuits available
- Material: Nylon-6T
- Gold flash brass
- Mates with ALEX 9901, 9902 series headers
- Various pin lengths available



Dimensional Information (mm)

Part No.	Dim. A	Dim. B
9903-N	$1.27 \times (N - 1)$	$1.27 \times N$

&& N = Number of contact, 2 ~ 40



P.C.B. hole dimensions

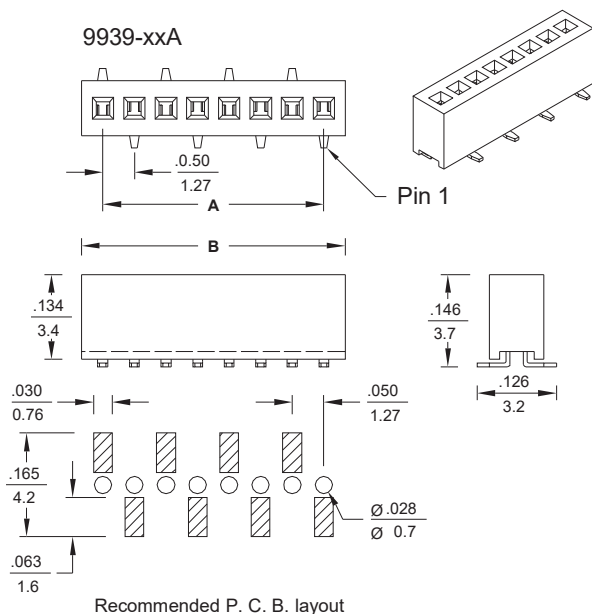
9939-xx Series Single Row Vertical Header, SMT

- 2 ~ 50 circuits available
- Plastic material: LCP
- Contact material: Phosphor bronze
- Finished: Gold-flash over nickel

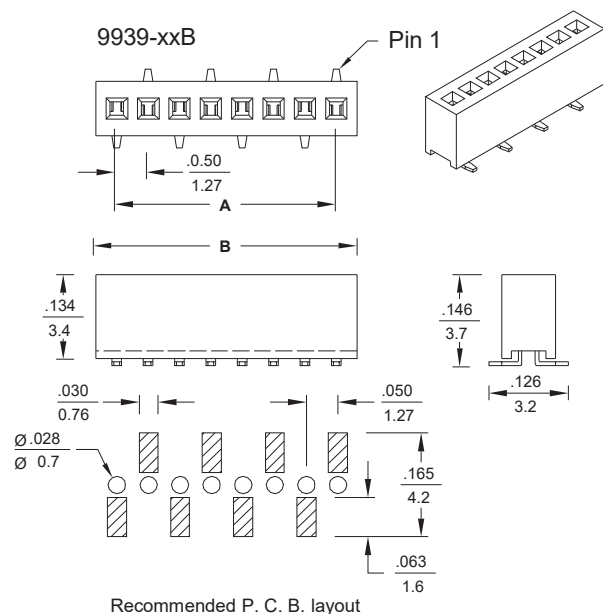
Dimensional Information (mm)

Circuits	Dim. A	Dim. B
N	$1.27 \times (N - 1)$	$1.27 \times N + 0.45$

&& N = 2 ~ 50



Recommended P. C. B. layout



Recommended P. C. B. layout

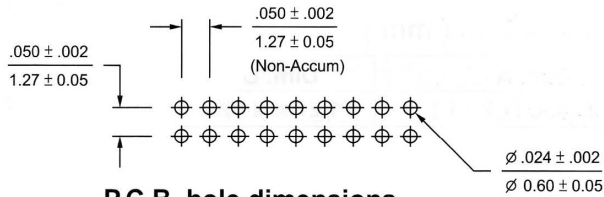
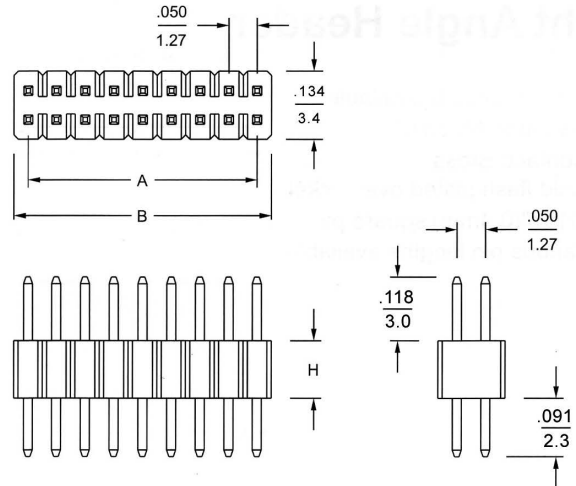


.050" (1.27mm) Center Headers

9905-xxx Series Dual Row Straight Header

- 4 ~ 100 circuits available
- Material: Nylon-6T
- Gold flash brass
- .0157" (0.4mm) straight square wire pins
- Mates with ALEX 9906 series header
- Various pin lengths available

inches
mm



P.C.B. hole dimensions

Dimensional Information (mm)

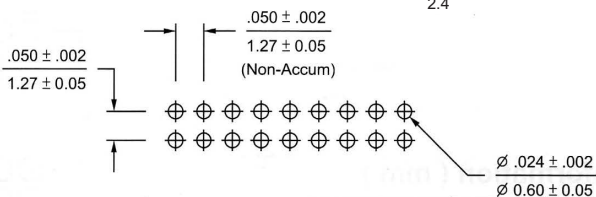
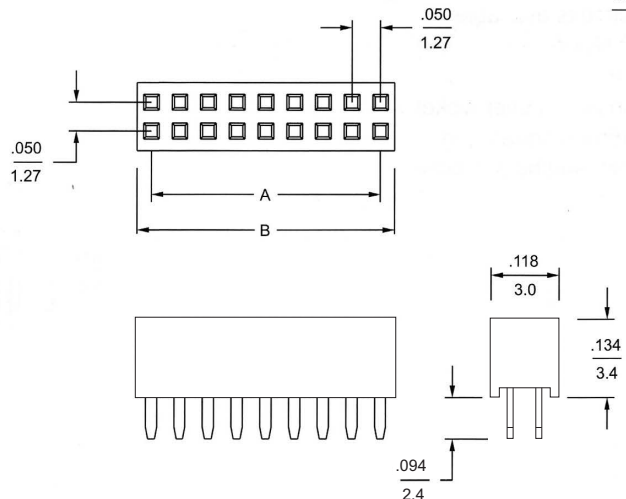
Part No.	Dim. A	Dim. B	Dim. H
9905-xxxA	1.27x(N/2-1)	1.27xN/2	1.0
9905-xxxB			1.5
9905-xxxC			2.5

&& N = Number of contact, 4 ~ 100

9906-N Series Dual Row Straight Header

- 6 ~ 100 circuits available
- Material: Nylon-6T
- Gold flash brass
- Mates with ALEX 9905 series header
- Various pin lengths available

inches
mm



P.C.B. hole dimensions

Dimensional Information (mm)

Part No.	Dim. A	Dim. B
9906-N	1.27 x (N / 2 - 1)	1.27 x N / 2 + 0.4

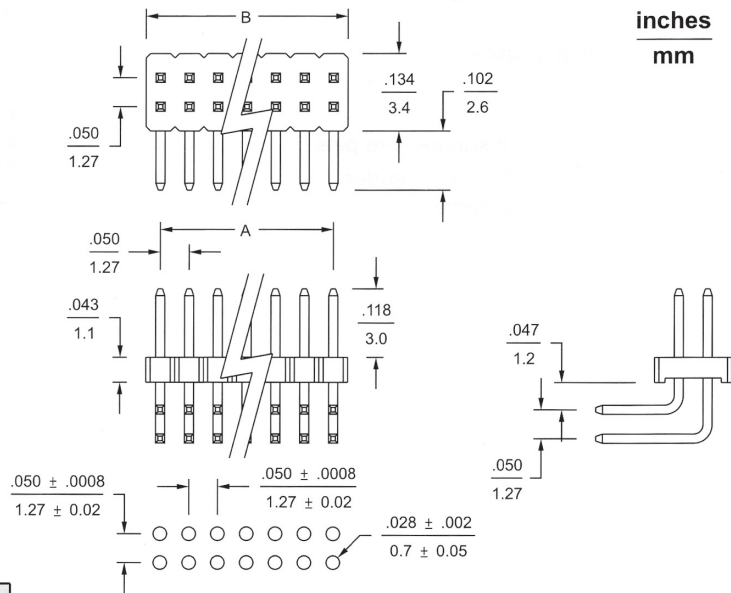
&& N = Number of contact, 4 ~ 100



.050"(1.27mm) Dual Row Right Angle Header

9919-N Series Right Angle Header

- 4 ~ 100 circuits available
- Insulator: Nylon 6T
- Contact: Brass
- Gold flash plated over nickel
- .0157"(0.4mm) square pin
- Various pin lengths available



Dimensional Information (mm)

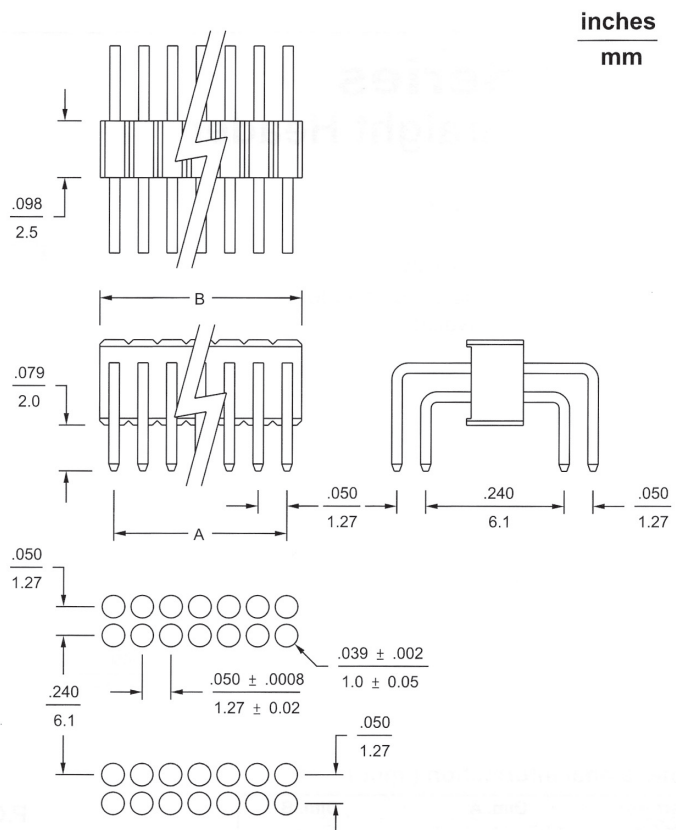
Part No.	Dim. A	Dim. B
9919-N	1.27 x (N / 2 - 1)	1.27 x N / 2

&& N = 4 ~ 100

P. C. board hole dimensions

9918-N Series Right Angle Header

- 4 ~ 100 circuits available
- Insulator: Nylon 6T
- Contact: Brass
- Gold flash plated over nickel
- .018"(0.46mm) square pin
- Various pin lengths available



Dimensional Information (mm)

Part No.	Dim. A	Dim. B
9918-N	1.27 x (N - 1)	1.27 x N

&& N = 4 ~ 100

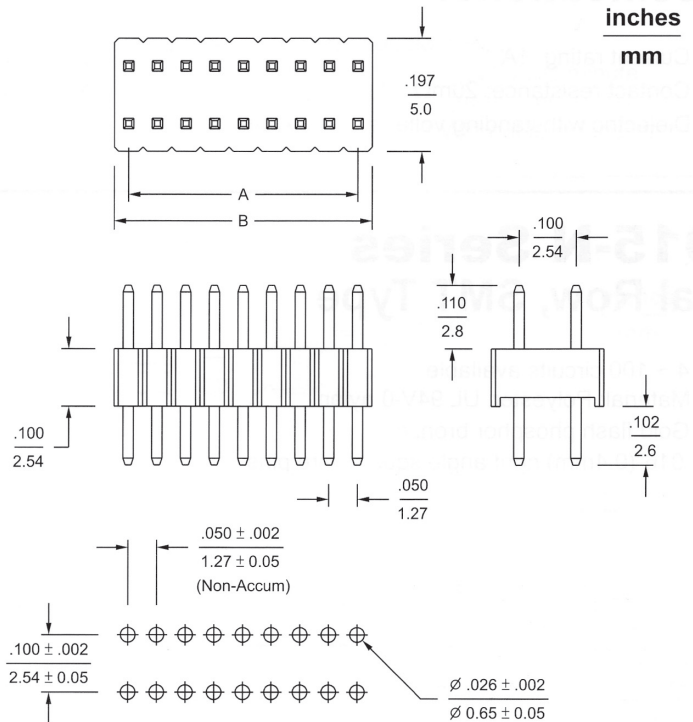
P. C. board hole dimensions



.050"(1.27mm) Center Headers

9907-N Series Dual Row Straight Header

- 2 ~ 100 circuits available
- Material: Nylon-6T
- Gold flash brass
- .018"(0.46mm) straight square wire pins
- Mates with ALEX 9908 series header
- Various pin lengths available

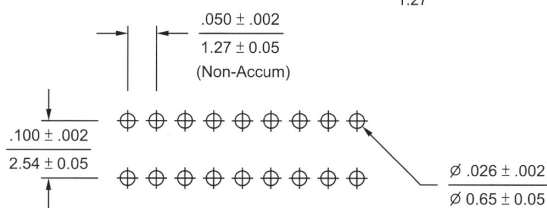


Dimensional Information (mm)

Part No.	Dim. A	Dim. B
9907-N	1.27 x (N / 2 - 1)	1.27 x N / 2

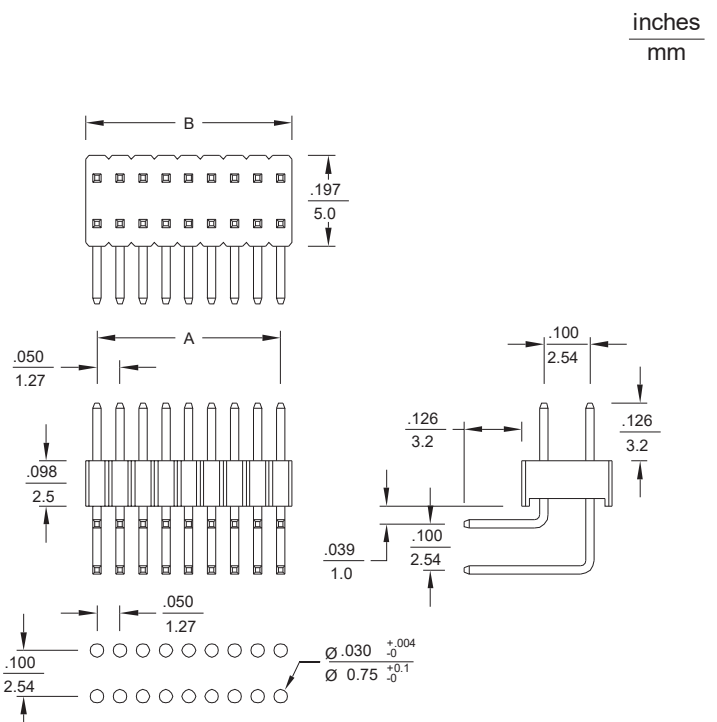
& N = Number of contact, 2 ~ 100

P.C.B. hole dimensions



9944-N Series Right Angle Header

- 4 ~ 100 circuits available
- material: Nylon 6T
- Contact material: Gold-flash brass pin
- .018"(0.46mm) square pin
- Mates with ALEX 9908 header

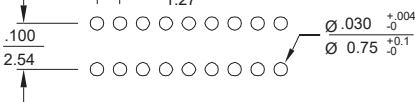


Dimensional Information (mm)

Circuits	Dim. A	Dim. B
N	1.27 x (N / 2 - 1)	0.635 x N

& N = 4 ~ 100

Recommended P. C. B. hole dimension

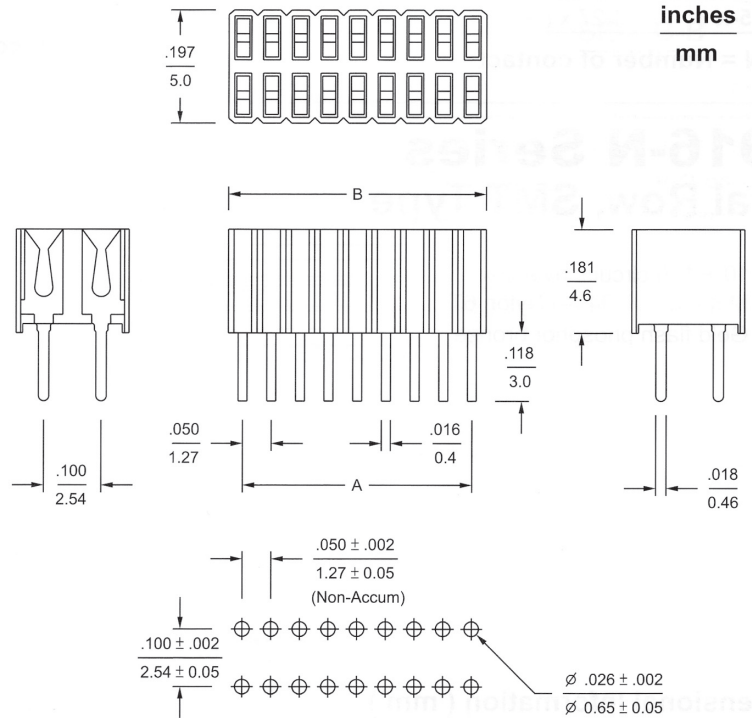




.050"(1.27mm) Center Header

9908-N Series Dual Row Straight Header

- 4 ~ 100 circuits available
- Material: LCP
- Gold flash phosphor bronze
- Mates with ALEX 9907 series header



Dimensional Information (mm)

Part No.	Dim. A	Dim. B
9908-N	1.27 x (N / 2 - 1)	1.27 x N / 2

&& N = Number of contact, 4 ~ 100



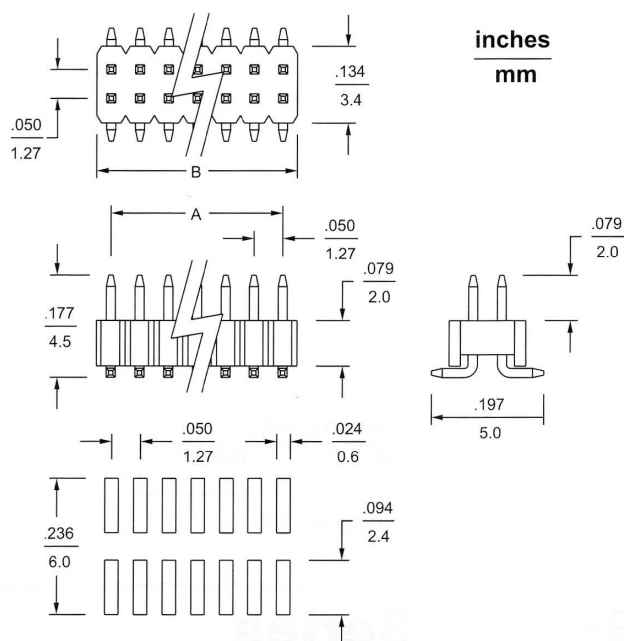
.050"(1.27mm) Dual Row Header, SMT Type

Specifications:

- Current rating: 1A
- Contact resistance: 20mΩ Max.
- Dielectric withstanding voltage: 300V AC/minute
- Ambient temperature range: -40 °C ~ 105 °C
- Max. process Temp.: 230 °C for 30 ~ 60 sec. (260 °C for 10 seconds)

9915-N Series Dual Row, SMT Type

- 4 ~ 100 circuits available
- Material: PBT, UL 94V-0
- Gold flash phosphor bronze
- .016"(0.4mm) right angle square wire pins



Dimensional Information (mm)

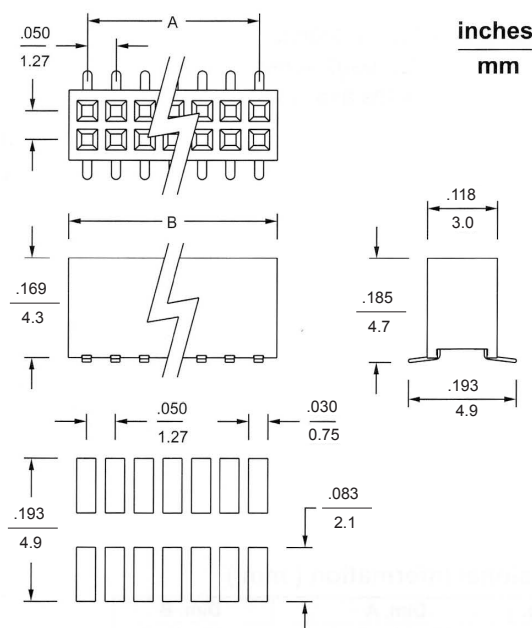
Part No.	Dim. A	Dim. B
9915-N	$1.27 \times (N / 2 - 1)$	$1.27 \times N / 2$

&& N = Number of contact, 4 ~ 100

Recommended PCB Layout

9916-N Series Dual Row, SMT Type

- 6 ~ 60 circuits available
- Material: UL 94V-0 Nylon 6T
- Gold flash phosphor bronze



Dimensional Information (mm)

Part No.	Dim. A	Dim. B
9916-N	$1.27 \times (N / 2 - 1)$	$1.27 \times N / 2 + 0.4$

&& N = Number of contact, 6 ~ 60

Recommended PCB Layout



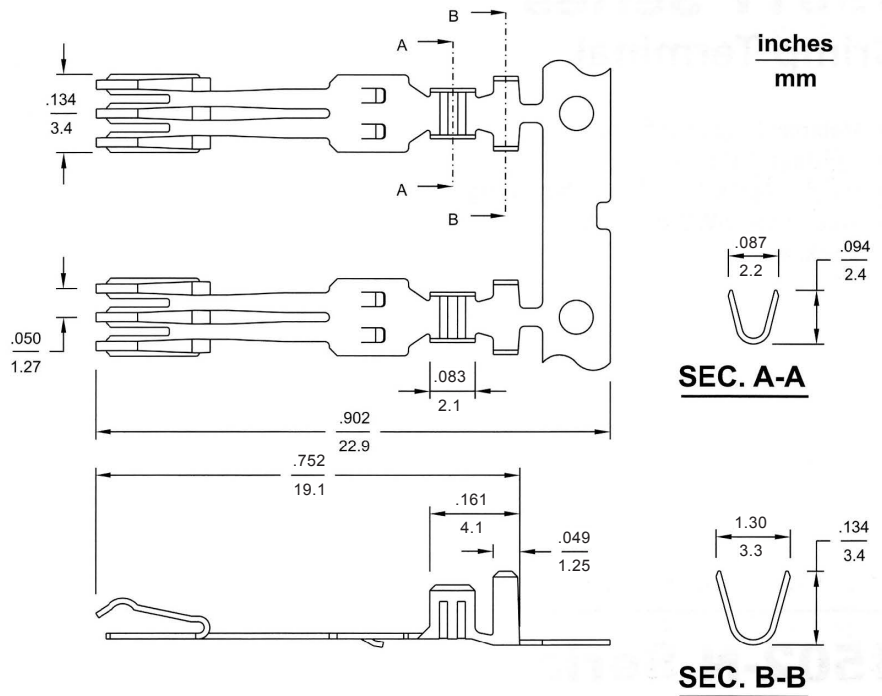
.050"(1.27mm) Crimp Terminal Housing

Specifications:

- Current rating: 1.5A DC @25 °C
- Voltage rating: 15V DC
- Contact resistance: Initially 30mΩ Max.
45mΩ Max. after stress
- Insulation resistance: 1000MΩ Min.
- Dielectric withstanding voltage: 500V AC/minute
- Ambient temperature range: - 35 °C ~ 85 °C
(Without loss function)

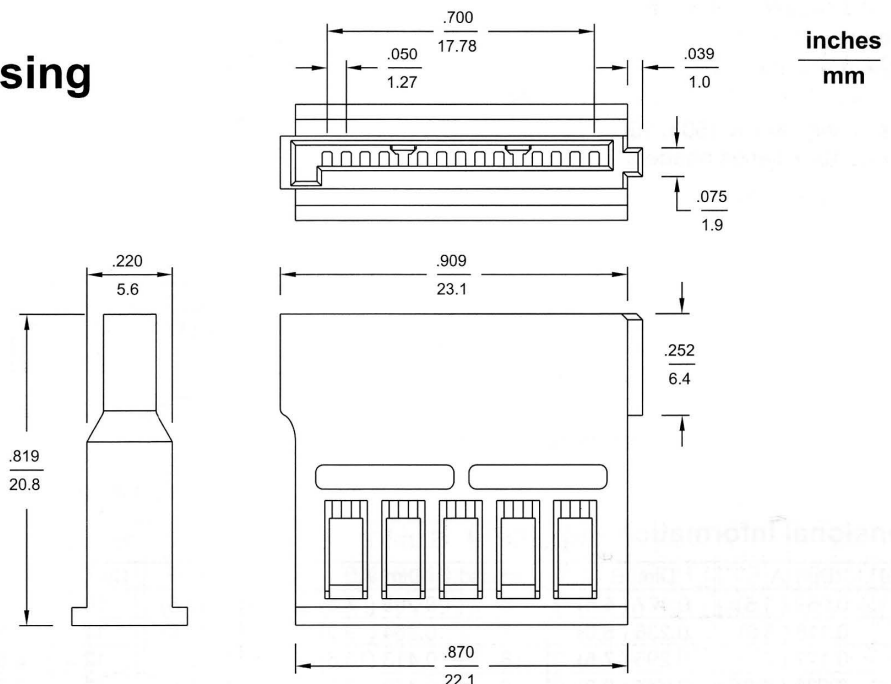
7581T Series Crimp Terminal

- Tin-plated Phosphor bronze
Gold-flash in contact area
- Used in ALEX 7582-05 housing
- Wre range: #18 ~ #22 AWG
- Thickness: 0.25mm



7582-05 Crimp Terminal Housing

- Material: PBT + 30% GF
- Accepts ALEX 7581T terminal
- Color: Black





.059" (1.5mm) Crimp Terminal Housing

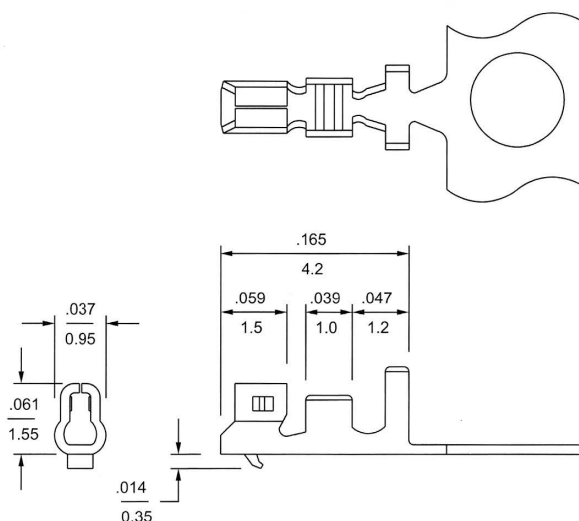
Specifications:

- Current rating: 0.7AAC, DC (AWG #28)
- Voltage rating: 50V AC, DC
- Withstanding voltage: 500V AC/minute
- Insulation resistance: 500MΩ min.
- Contact resistance: Initial value / 20m Ω max.
After environmental testing / 30m Ω max.
- Temperature rise: -25 °C ~ 85 °C max.
(including temperature rise)
- UL file No. : E114003

1501T Series Crimp Terminal

inches
mm

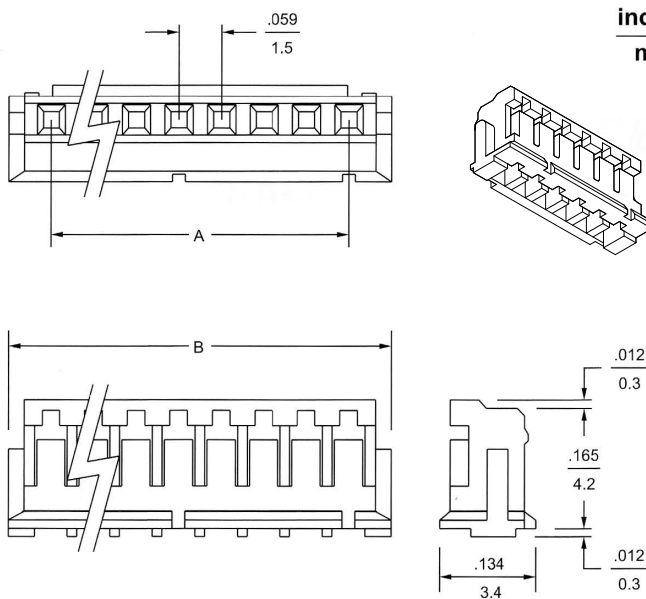
- Material: Phosphor bronze
- Finished: Tin-plated
- Used in ALEX 1502-N series housing
- Wire range: AWG #28 ~ #32
- Thickness: 0.2mm



1502-N Series Crimp Terminal Housing

inches
mm

- 2 ~ 13 circuits available
- Material: Nylon 66, UL 94V-0
- Standard color: White
- Accepts ALEX 1501T series terminals
- Mates with ALEX 1503, 1504, 1505, 1506, 1507 series headers



Dimensional Information - in (mm)

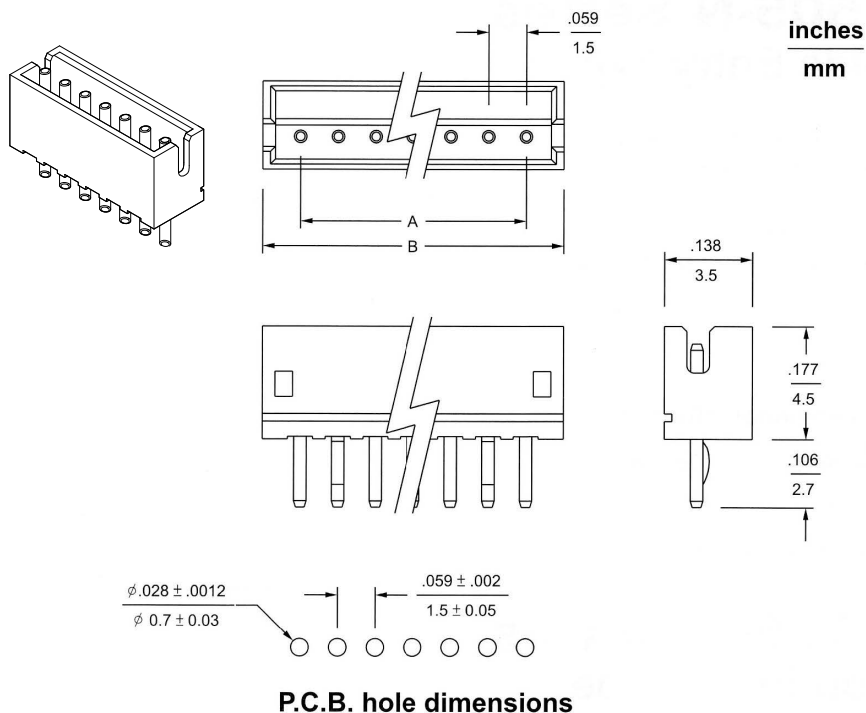
Circuits	Dim. A	Dim. B	Circuits	Dim. A	Dim. B	Circuits	Dim. A	Dim. B
2	0.059 (1.5)	0.177 (4.5)	6	0.295 (7.5)	0.413 (10.5)	10	0.531 (13.5)	0.650 (16.5)
3	0.118 (3.0)	0.236 (6.0)	7	0.354 (9.0)	0.472 (12.0)	11	0.591 (15.0)	0.709 (18.0)
4	0.177 (4.5)	0.295 (7.5)	8	0.413 (10.5)	0.531 (13.5)	12	0.650 (16.5)	0.768 (19.5)
5	0.236 (6.0)	0.354 (9.0)	9	0.472 (12.0)	0.591 (15.0)	13	0.709 (18.0)	0.827 (21.0)



.059" (1.5mm) Center Headers

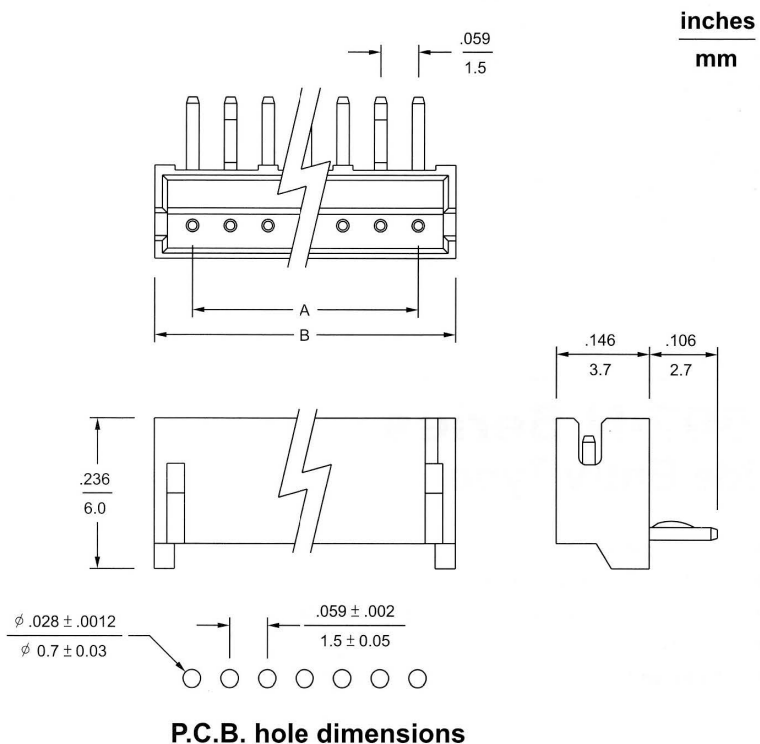
1503-N Series Vertical Header

- 2 ~ 13 circuits available
- Contact: Tin-plated brass
- Insulation: Nylon 66, UL 94V-0
- Standard color: Nature
- Mates with ALEX 1502-N series housing



1504-N Series Right Angle Header

- 2 ~ 13 circuits available
- Contact: Tin-plated brass
- Insulation: Nylon 66, UL 94V-0
- Standard color: Nature
- Mates with ALEX 1502-N series housing



Dimensional Information - in (mm) 1503/1504

Circuits	Dim. A	Dim. B	Circuits	Dim. A	Dim. B	Circuits	Dim. A	Dim. B
2	0.059 (1.5)	0.177 (4.5)	6	0.295 (7.5)	0.413 (10.5)	10	0.531 (13.5)	0.650 (16.5)
3	0.118 (3.0)	0.236 (6.0)	7	0.354 (9.0)	0.472 (12.0)	11	0.591 (15.0)	0.709 (18.0)
4	0.177 (4.5)	0.295 (7.5)	8	0.413 (10.5)	0.531 (13.5)	12	0.650 (16.5)	0.768 (19.5)
5	0.236 (6.0)	0.354 (9.0)	9	0.472 (12.0)	0.591 (15.0)	13	0.709 (18.0)	0.827 (21.0)



.059" (1.5mm) SMT Type Shrouded Header

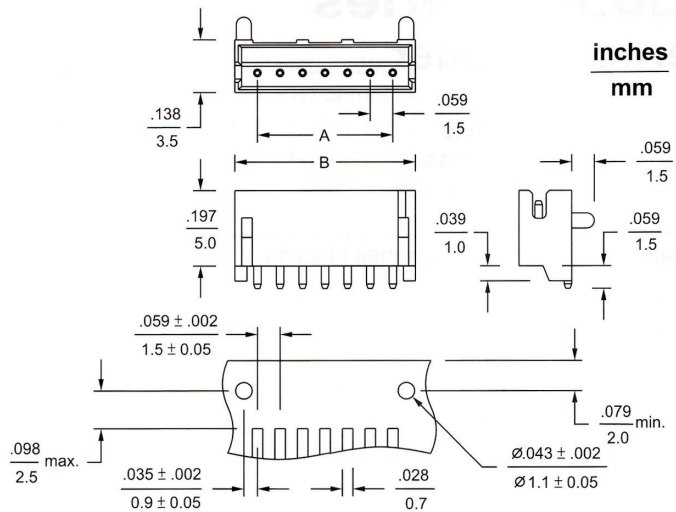
1505-N Series Side Entry Type

- 2 ~ 13 circuits available
- Contact: Tin-plated brass
- Insulation: Nylon 46, UL 94V-0
- Standard color: Natural (ivory)
- Mates with ALEX 1502-N series housing

Dimensional Information (mm)

Circuits	Dim. A	Dim. B
N	1.5 x (N - 1)	1.5 x (N + 1)

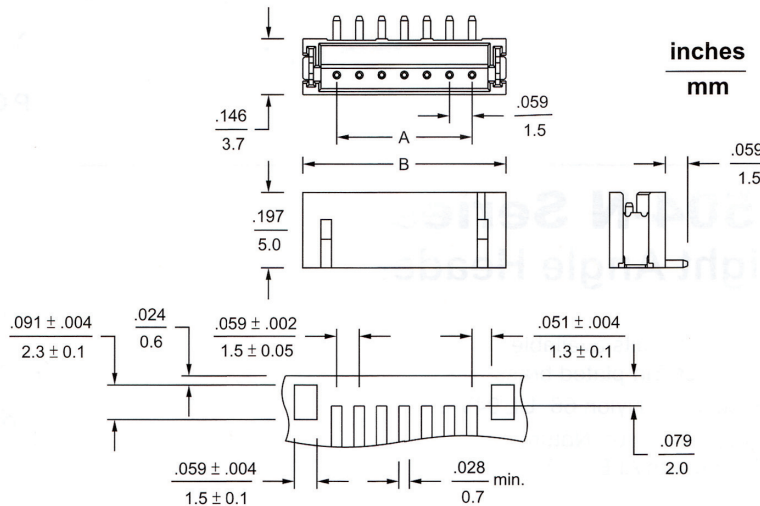
&& N = Number of contact, 2 ~ 13



P. C. board layout

1506-N Series Top Entry Type

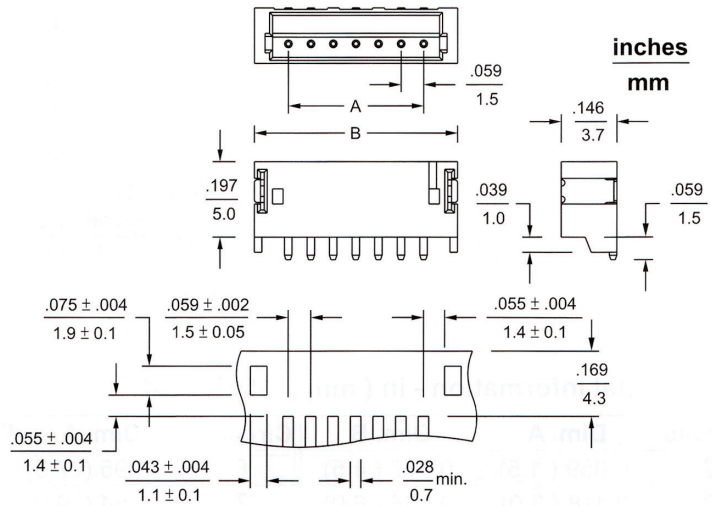
- 2 ~ 13 circuits available
- Contact: Tin-plated brass
- Insulation: Nylon 46, UL 94V-0
- Standard color: Natural (ivory)
- Mates with ALEX 1502-N series housing



P. C. board layout

1507-N Series Side Entry Type

- 2 ~ 13 circuits available
- Contact: Tin-plated brass
- Insulation: Nylon 9T, UL 94V-0
- Standard color: Natural (ivory)
- Mates with ALEX 1502-N series housing



P. C. board layout

Dimensional Information (mm) 1506/1507

Circuits	Dim. A	Dim. B
N	1.5 x (N - 1)	1.5 x (N + 2)

&& N = Number of contact, 2 ~ 13



.059" (1.5mm) Crimp Terminal Housing

Specifications:

- Current rating:

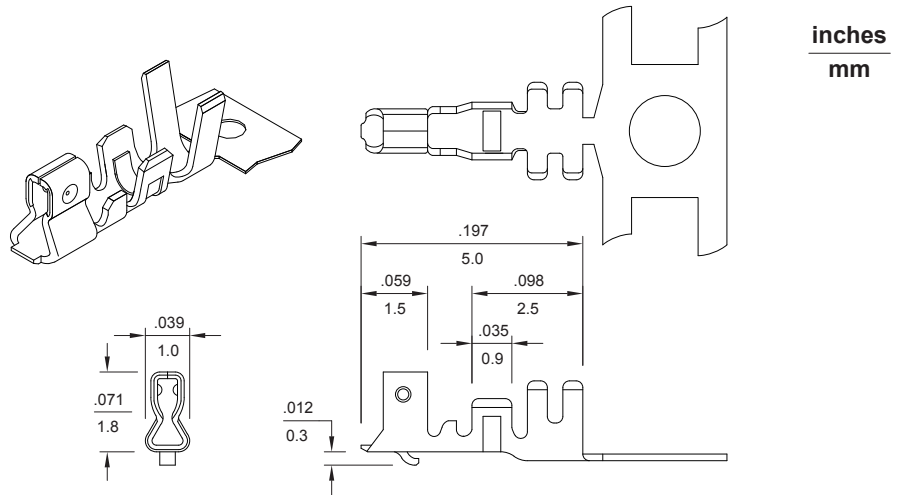
Wire Gauge (AWG)	#24	#26	#28	#30
Ampere	3	2	1.5	1.5

- Voltage rating: 50V AC, DC
- Contact resistance: 20mΩ Max.

- Insulation resistance: 500MΩ Min.
- Dielectric withstanding voltage: 500V AC/minute
- Ambient temperature range: -25°C ~ 85°C
(including temperature rise)

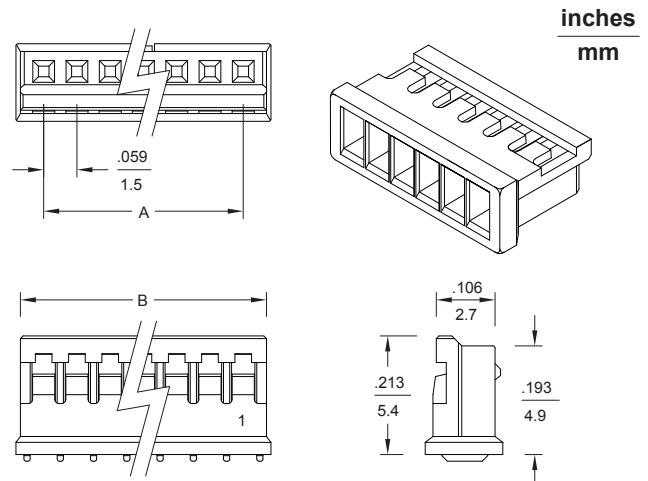
1511T Series Crimp Terminal

- Material: Phosphor bronze
- Finished: Tin-plated
- Used in ALEX 1512-N housing
- Wire range: #24 ~ #30 AWG
- Thickness: 0.15mm
- Q'ty: 10000 PCS/Reel



1512-N Series Crimp Terminal Housing

- 2 ~ 15 circuits available
- Material: UL 94V-0 nylon 66
- Accepts ALEX 1511T terminal
- Mates with ALEX 1513-N, 1514-N, 1515-N, 1516-N headers
- Standard color: White



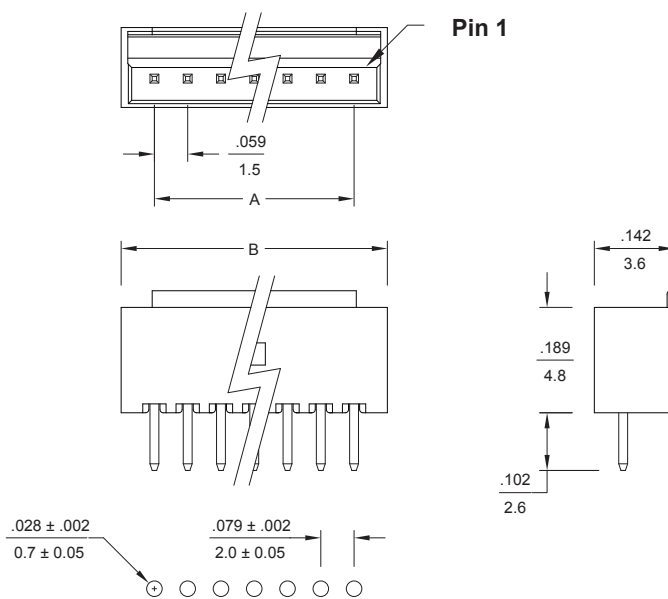
Dimensional Information - in (mm)

Circuits	Dim. A	Dim. B	Circuits	Dim. A	Dim. B	Circuits	Dim. A	Dim. B
2	0.059 (1.5)	0.142 (3.6)	7	0.354 (9.0)	0.437 (11.1)	12	0.650 (16.5)	0.732 (18.6)
3	0.118 (3.0)	0.201 (5.1)	8	0.413 (10.5)	0.496 (12.6)	13	0.709 (18.0)	0.791 (20.1)
4	0.177 (4.5)	0.260 (6.6)	9	0.472 (12.0)	0.555 (14.1)	14	0.768 (19.5)	0.850 (21.6)
5	0.236 (6.0)	0.319 (8.1)	10	0.531 (13.5)	0.614 (15.6)	15	0.827 (21.0)	0.909 (23.1)
6	0.295 (7.5)	0.378 (9.6)	11	0.591 (15.0)	0.673 (17.1)			

.059"(1.5mm) Crimp Terminal Housing

1513-N Series Vertical Header

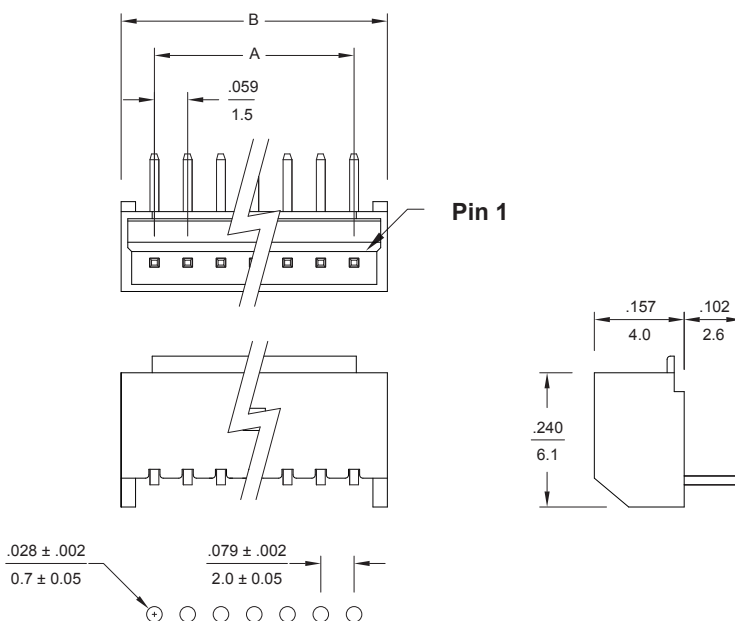
- 2 ~ 15 circuits available
- Plastic material: UL 94V-0 nylon 66
- Tin-plated brass pin
- .016"(0.4mm) square pin
- Mates with ALEX 1512-N housing



P. C. B. hole dimensions

1514-N Series Right Angle Header

- 2 ~ 15 circuits available
- Plastic material: UL 94V-0 nylon 66
- Tin-plated brass pin
- .016"(0.4mm) square pin
- Mates with ALEX 1512-N housing



P. C. B. hole dimensions

Dimensional Information - in (mm) 1513 / 1514

Circuits	Dim. A	Dim. B	Circuits	Dim. A	Dim. B	Circuits	Dim. A	Dim. B
2	0.059 (1.5)	0.177 (4.5)	7	0.354 (9.0)	0.472 (12.0)	12	0.650 (16.5)	0.768 (19.5)
3	0.118 (3.0)	0.236 (6.0)	8	0.413 (10.5)	0.531 (13.5)	13	0.709 (18.0)	0.827 (21.0)
4	0.177 (4.5)	0.295 (7.5)	9	0.472 (12.0)	0.591 (15.0)	14	0.768 (19.5)	0.886 (22.5)
5	0.236 (6.0)	0.354 (9.0)	10	0.531 (13.5)	0.650 (16.5)	15	0.827 (21.0)	0.945 (24.0)
6	0.295 (7.5)	0.413 (10.5)	11	0.591 (15.0)	0.709 (18.0)			

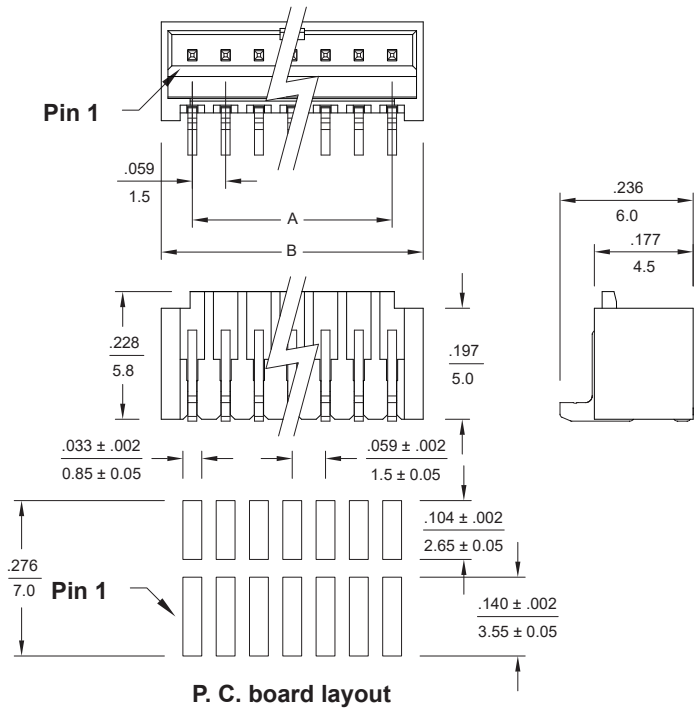
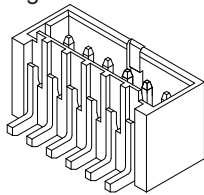
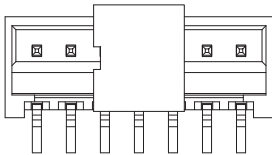


.059"(1.5mm) Crimp Terminal Housing

1515-N Series Vertical Header, SMT

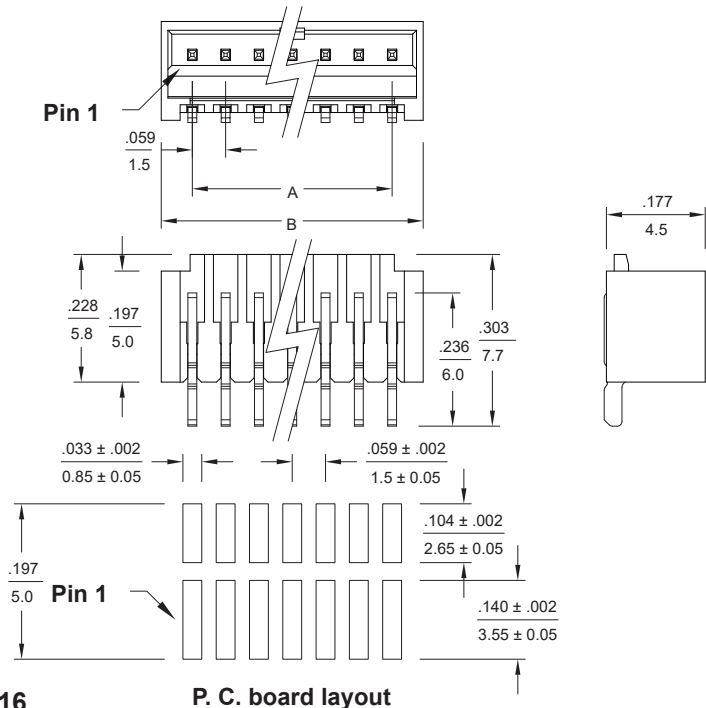
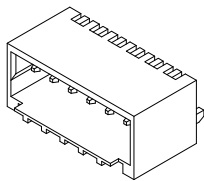
- 2 ~ 15 circuits available
- Plastic material: UL 94V-0 nylon 9T
- Semi-Gloss tin brass pin
- .016"(0.4mm) flat pin
- Mates with ALEX 1512-N housing
- Packing: Tape & Reel

Shown with disposable cap



1516-N Series Right Angle Header, SMT

- 2 ~ 15 circuits available
- Plastic material: UL 94V-0 nylon 9T
- Semi-Gloss tin brass pin
- .016"(0.4mm) flat pin
- Mates with ALEX 1512-N housing
- Packing: Tape & Reel



Dimensional Information - in (mm) 1515 / 1516

Circuits	Dim. A	Dim. B	Circuits	Dim. A	Dim. B	Circuits	Dim. A	Dim. B
2	0.059 (1.5)	0.169 (4.3)	7	0.354 (9.0)	0.465 (11.8)	12	0.650 (16.5)	0.760 (19.3)
3	0.118 (3.0)	0.228 (5.8)	8	0.413 (10.5)	0.524 (13.3)	13	0.709 (18.0)	0.819 (20.8)
4	0.177 (4.5)	0.287 (7.3)	9	0.472 (12.0)	0.583 (14.8)	14	0.768 (19.5)	0.878 (22.3)
5	0.236 (6.0)	0.346 (8.8)	10	0.531 (13.5)	0.642 (16.3)	15	0.827 (21.0)	0.937 (23.8)
6	0.295 (7.5)	0.406 (10.3)	11	0.591 (15.0)	0.701 (17.8)			



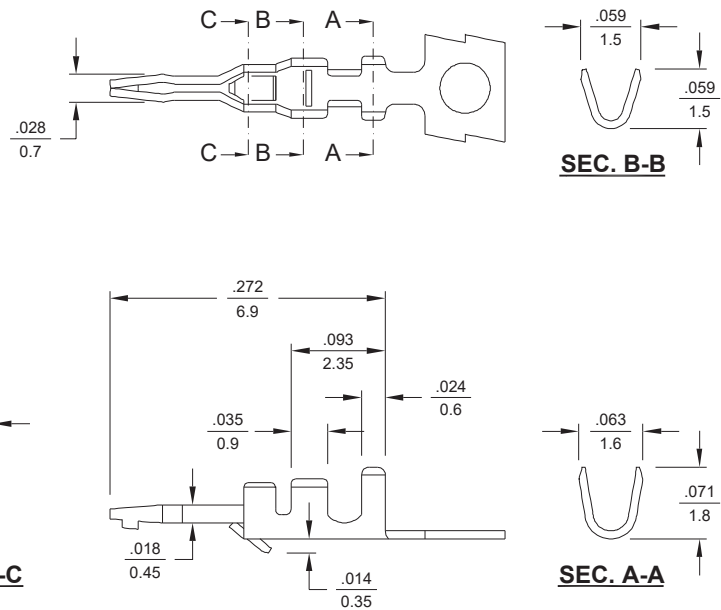
.059" (1.5mm) Board-In Type Connectors

Specification:

- Current rating: 1A AC, DC
- Voltage rating: 50V AC, DC
- Insulation resistance: 500MΩ Min.
- Dielectric withstanding voltage: 500V AC/minute
- Ambient temperature range: -25°C ~ 85°C

1530T Crimp Terminal

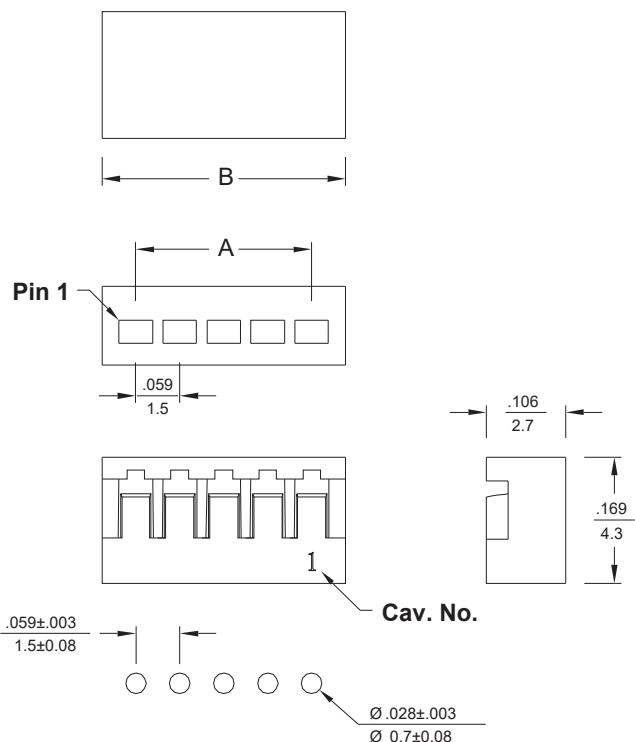
- Material: Phosphor bronze
- Finished: Tin-plated
- Wire range: #26 ~ #30 AWG
- Used in ALEX 1531-N housing
- Thickness: 0.2mm
- Applicable P. C. B. thickness: 0.8 ~ 1.6mm



inches
mm

1531-N Series Crimp Terminal Housing

- 2 ~ 15 circuits available
- Material: UL 94V-0 nylon 66
- Accepts ALEX 1530T terminal



inches
mm

Dimensional Information (mm)

Circuits	Dim. A	Dim. B
N	1.5 x (N - 1)	1.5 x N + 0.8

&& N = 2 ~ 15

Recommended P. C. B. hole dimension



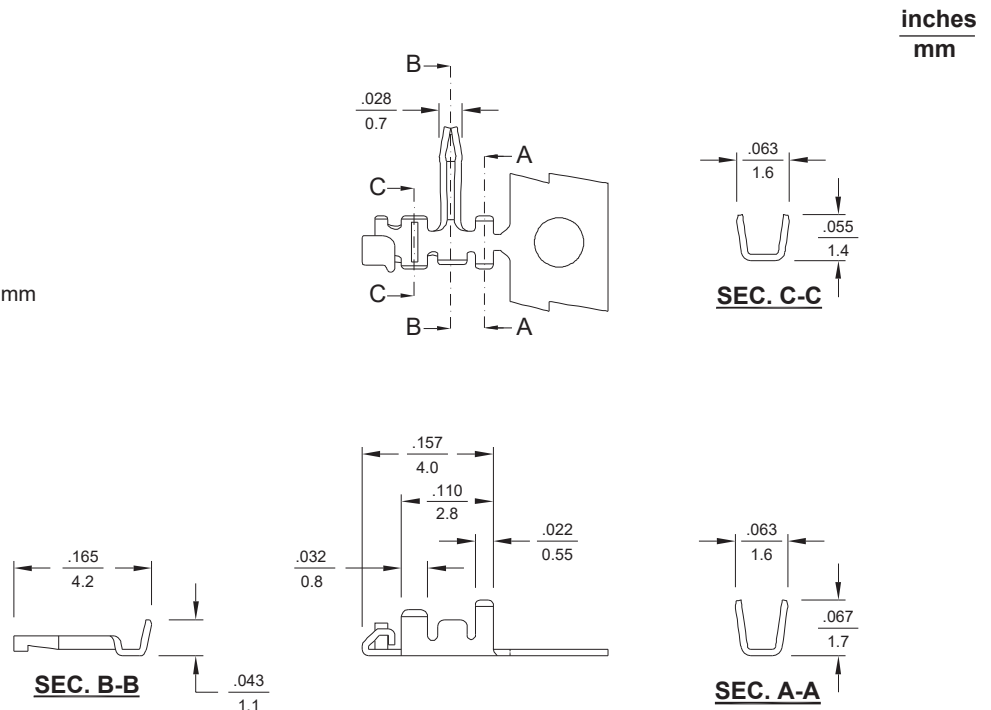
.059"(1.5mm) Board-In Type Connectors

Specification:

- Current rating: 1A AC, DC
- Voltage rating: 50V AC, DC
- Insulation resistance: 500MΩ Min.
- Dielectric withstanding voltage: 500V AC/minute
- Ambient temperature range: -25°C ~ 85°C

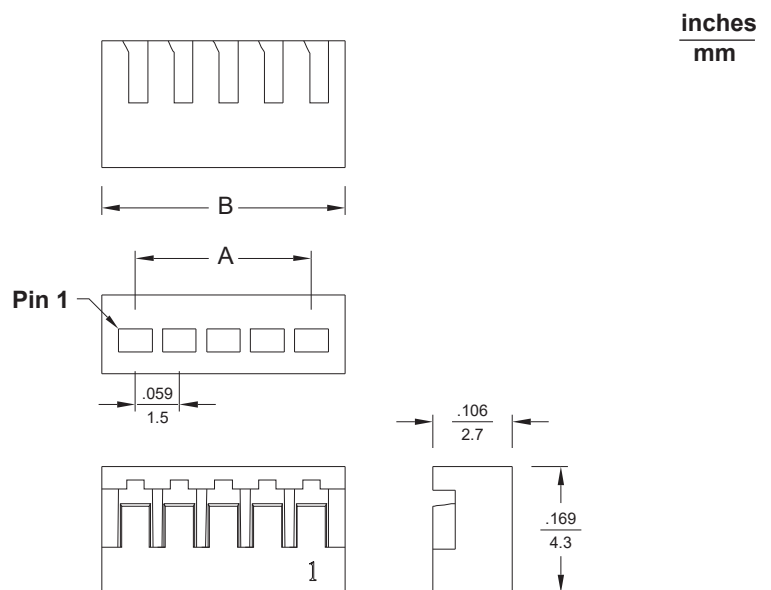
1532T Crimp Terminal

- Material: Phosphor bronze
- Finished: Tin-plated
- Wire range: #26 ~ #30 AWG
- Used in ALEX 1533-N housing
- Thickness: 0.2mm
- Applicable P. C. B. thickness: 0.8 ~ 1.6mm



1533-N Series Crimp Terminal Housing

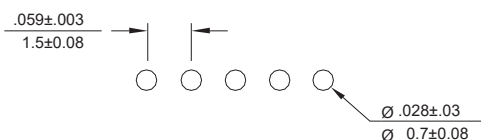
- 2 ~ 15 circuits available
- Material: UL 94V-0 nylon 66
- Accepts ALEX 1532T terminal



Dimensional Information (mm)

Circuits	Dim. A	Dim. B
N	1.5 x (N - 1)	1.5 x N + 0.8

&& N = 2 ~ 15



Recommended P. C. B. hole dimension



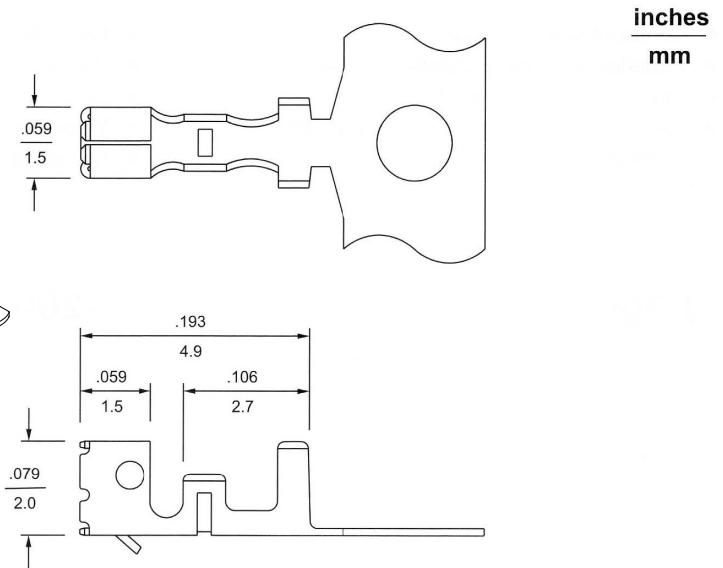
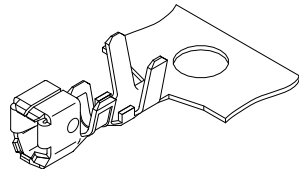
.079" (2.0mm) Center Wire-to-Board System

Specifications:

- Current rating: 2A Max.
- Voltage rating: 125V
- Contact resistance: 20mΩ Max.
- Insulation resistance: 1000MΩ Min.
- Dielectric withstanding voltage: 500V AC/minute
- Ambient temperature range: -25°C ~ 85°C (including temperature rise)

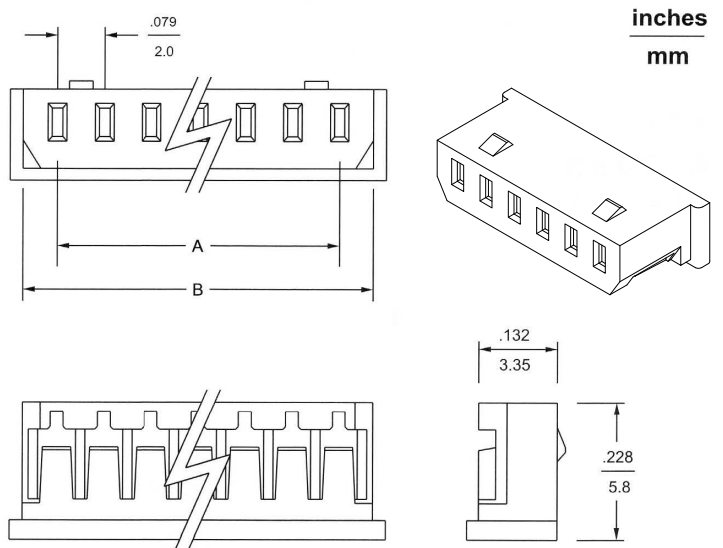
2011T Series Crimp Terminal

- Material: Phosphor bronze
- Finished: Tin-plated
- Used in ALEX 2012-N series housing
- Wire range: AWG #24 ~ #30
- Thickness: 0.15mm



2012-N Series Crimp Terminal Housing

- 2 ~ 15 circuits available
- Material: UL 94V-0 nylon 66
- Accepts ALEX 2011T terminal



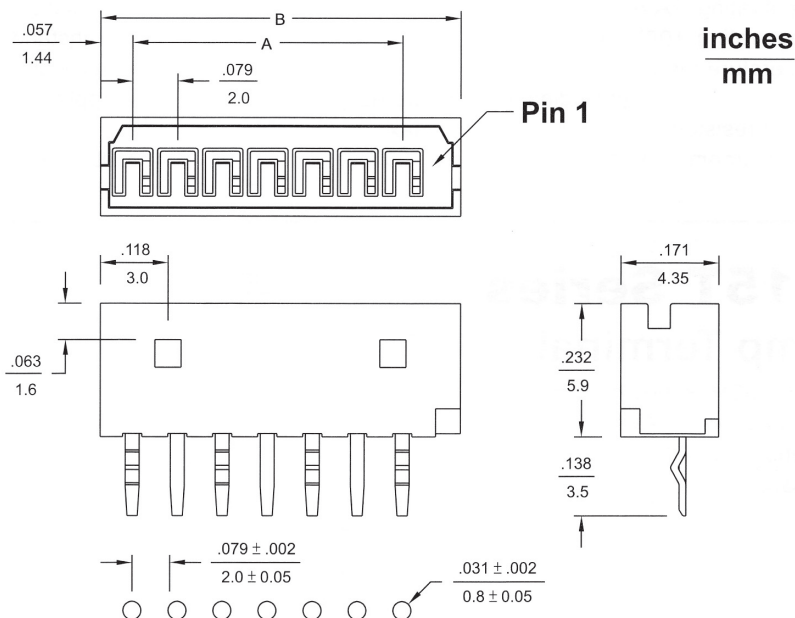
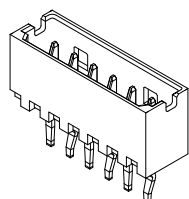
Dimensional Information - in (mm)

Circuits	Dim. A	Dim. B	Circuits	Dim. A	Dim. B	Circuits	Dim. A	Dim. B
2	0.079 (2.0)	0.189 (4.8)	7	0.472 (12.0)	0.583 (14.8)	12	0.866 (22.0)	0.976 (24.8)
3	0.157 (4.0)	0.268 (6.8)	8	0.551 (14.0)	0.661 (16.8)	13	0.945 (24.0)	1.055 (26.8)
4	0.236 (6.0)	0.346 (8.8)	9	0.630 (16.0)	0.740 (18.8)	14	1.024 (26.0)	1.134 (28.8)
5	0.315 (8.0)	0.425 (10.8)	10	0.709 (18.0)	0.819 (20.8)	15	1.102 (28.0)	1.213 (30.8)
6	0.394 (10.0)	0.504 (12.8)	11	0.787 (20.0)	0.898 (22.8)			

.079"(2.0mm) Center Wire-to-Board System

2013-N Vertical Header

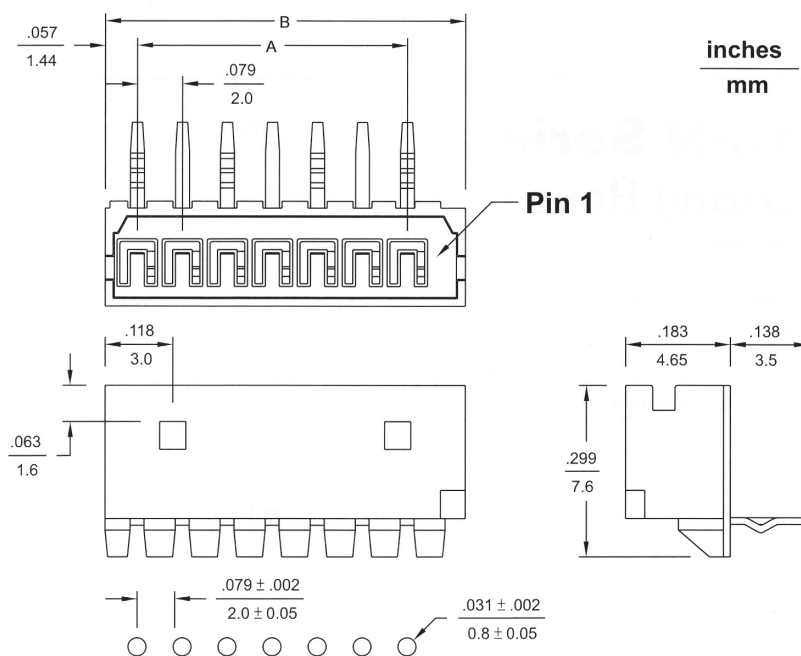
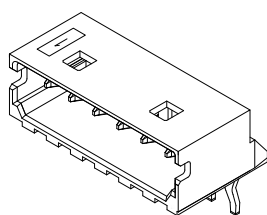
- 2 ~ 15 circuits available
- Material: PBT UL 94V-0 & 15% GF
- Tin-plated phosphor bronze
- Mates with ALEX 2012-N housing
- Color: White



P. C. board hole dimensions

2014-N Right Angle Header

- 2 ~ 15 circuits available
- Material: PBT UL 94V-0 & 15% GF
- Tin-plated phosphor bronze
- Mates with ALEX 2012-N housing
- Color: White



P. C. board hole dimensions

Dimensional Information - in (mm) 2013/2014

Circuits	Dim. A	Dim. B	Circuits	Dim. A	Dim. B	Circuits	Dim. A	Dim. B
2	0.079 (2.0)	0.236 (6.0)	7	0.472 (12.0)	0.630 (16.0)	12	0.866 (22.0)	1.024 (26.0)
3	0.157 (4.0)	0.315 (8.0)	8	0.551 (14.0)	0.709 (18.0)	13	0.945 (24.0)	1.102 (28.0)
4	0.236 (6.0)	0.394 (10.0)	9	0.630 (16.0)	0.787 (20.0)	14	1.024 (26.0)	1.181 (30.0)
5	0.315 (8.0)	0.472 (12.0)	10	0.709 (18.0)	0.866 (22.0)	15	1.102 (28.0)	1.260 (32.0)
6	0.394 (10.0)	0.551 (14.0)	11	0.787 (20.0)	0.945 (24.0)			



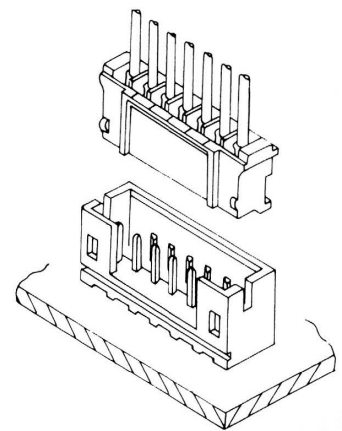
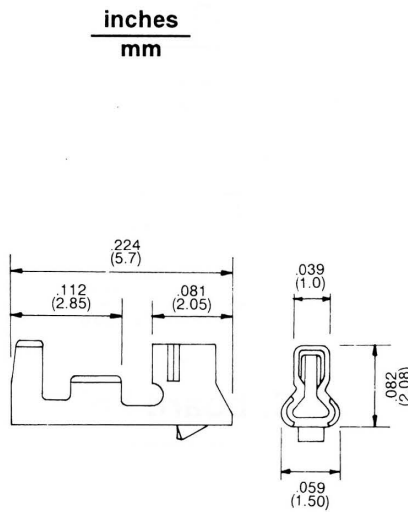
.079" (2.0 mm) Ultra - Small Connectors

Specifications

- Current rating: 2A AC, DC
- Voltage rating: 100V AC, DC
- Temperature range: -25°C ~ +85°C (including temperature rise)
- Contact resistance: Initial value/10mΩ max. After environmental testing/20mΩ max.
- Insulation resistance: 1,000MΩ min.
- Withstand voltage: 800V AC/minute
- Applicable wires: AWG #30 ~ #24
- Applicable PC board thickness: .031" ~ .063" (0.8 ~ 1.6mm)
- UL File No. : E114003

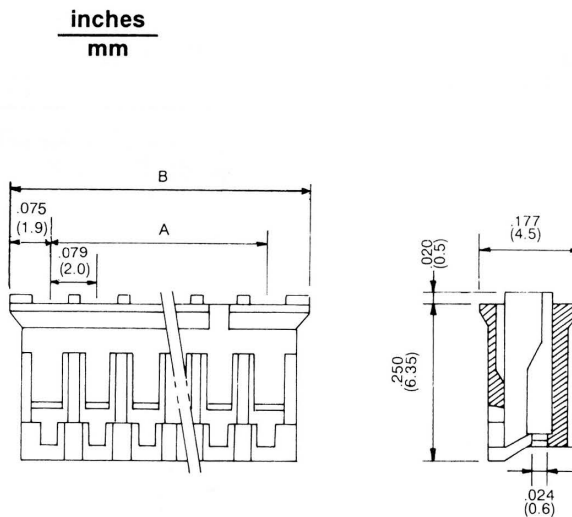
2015T Series Crimp Terminal

- Used in 2016 series housing
- Applicable wires: AWG #30 ~ #24
- Material: Tin-plated phosphor bronze
- Insulation O.D.: .035" (0.9mm) ~ .059" (1.5mm)



2016-N Series Polarizing Housing

- Material: 94V-0 nylon66
- 2-16 circuits available
- Standard color: white
- Accepts 2015T terminal
- Mates with 2017, 2018, 2017-xxSM, 2018-xxSM headers



Dimensional Information - in. (mm)

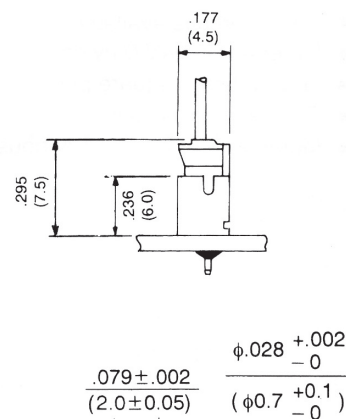
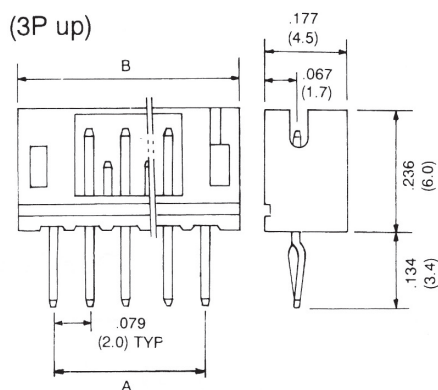
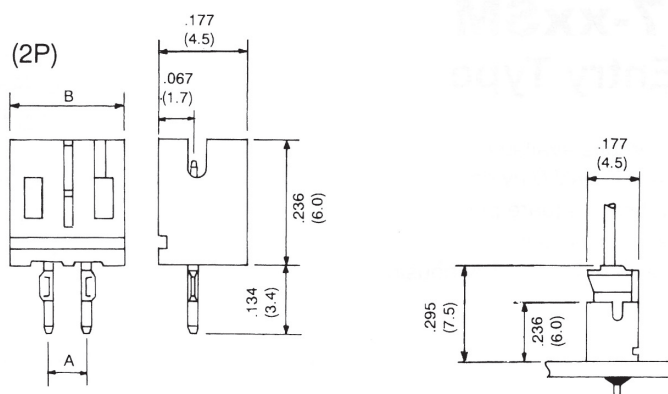
Circuits	Dim. A	Dim. B	Circuits	Dim. A	Dim. B
2	.079 (2.0)	.228 (5.8)	10	.709 (18.0)	.858 (21.8)
3	.157 (4.0)	.307 (7.8)	11	.787 (20.0)	.937 (23.8)
4	.236 (6.0)	.386 (9.8)	12	.866 (22.0)	1.016 (25.8)
5	.315 (8.0)	.465 (11.8)	13	.945 (24.0)	1.094 (27.8)
6	.394 (10.0)	.543 (13.8)	14	1.024 (26.0)	1.173 (29.8)
7	.472 (12.0)	.622 (15.8)	15	1.102 (28.0)	1.252 (31.8)
8	.551 (14.0)	.701 (17.8)	16	1.181 (30.0)	1.331 (33.8)
9	.630 (16.0)	.780 (19.8)			



.079" (2.0 mm) Center Headers

2017-N Series Straight Pin Friction Lock Header

- 94V-0 nylon 66
- .020"(0.50mm) square pin
- Tin-plated brass pin
- 2-16 circuits available
- Mates with 2016 series housing



P.C. Board Hole Dimensions

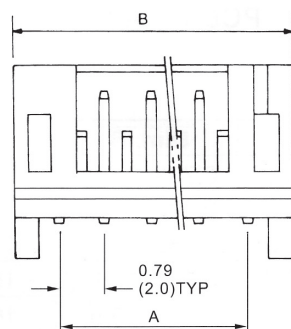
inches
mm

Dimensional Information - in. (mm)

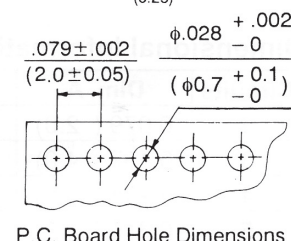
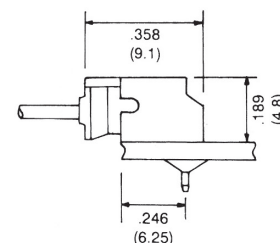
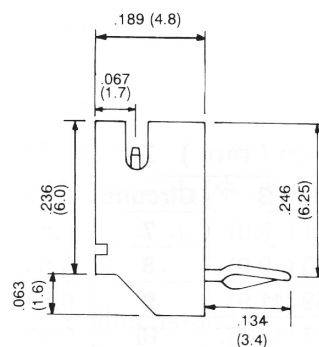
Circuits	Dim. A	Dim. B	Circuits	Dim. A	Dim. B
2	.079 (2.0)	.236(6.0)	10	.709 (18.0)	.866(22.0)
3	.157 (4.0)	.315(8.0)	11	.787 (20.0)	.945(24.0)
4	.236 (6.0)	.394(10.0)	12	.866 (22.0)	1.024(26.0)
5	.315 (8.0)	.472(12.0)	13	.945 (24.0)	1.102(28.0)
6	.394 (10.0)	.551(14.0)	14	1.024 (26.0)	1.181(30.0)
7	.472 (12.0)	.630(16.0)	15	1.102 (28.0)	1.260(32.0)
8	.551 (14.0)	.709(18.0)	16	1.181 (30.0)	1.339(34.0)
9	.630 (16.0)	.787(20.0)			

2018-N Series Right Angle Pin Friction Lock Header

- 94V-0 nylon 66
- .020"(0.50mm) square pin
- Tin-plated brass pin
- 2-16 circuits available
- Mates with 2016 series housing



inches
mm



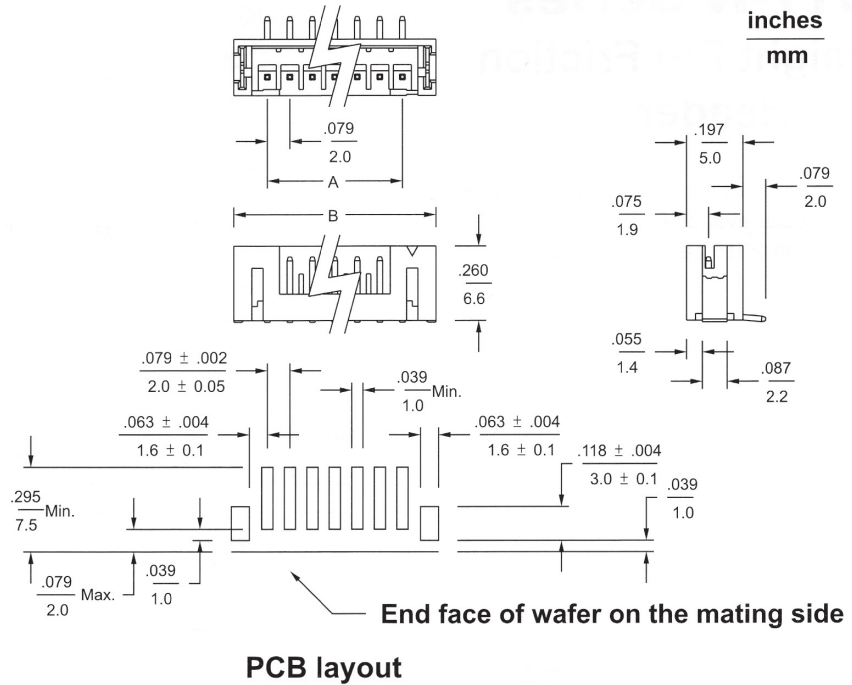
P.C. Board Hole Dimensions



.079"(2.0mm) SMT Type Shrouded Header

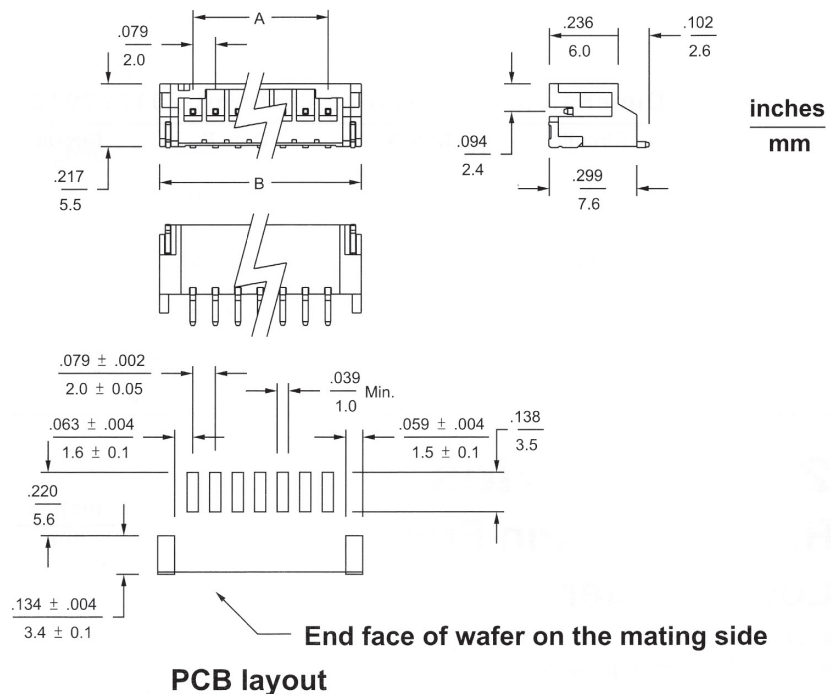
2017-xxSM Top Entry Type

- 2 ~ 16 circuits available
- Material: UL 94V-0 nylon 6T
- .020"(0.5mm) square pin
- Tin-plated brass pin
- Mates with ALEX 2016-N housing



2018-xxSM Side Entry Type

- 2 ~ 16 circuits available
- Material: UL 94V-0 nylon 6T
- .020"(0.5mm) square pin
- Tin-plated brass pin
- Mates with ALEX 2016-N housing



Dimensional Information - in (mm) 2017-xxSM / 2018-xxSM

Circuits	Dim. A	Dim. B	Circuits	Dim. A	Dim. B	Circuits	Dim. A	Dim. B
2	0.079 (2.0)	0.311 (7.9)	7	0.472 (12.0)	0.705 (17.9)	12	0.866 (22.0)	1.098 (27.9)
3	0.157 (4.0)	0.390 (9.9)	8	0.551 (14.0)	0.783 (19.9)	13	0.945 (24.0)	1.177 (29.9)
4	0.236 (6.0)	0.469 (11.9)	9	0.630 (16.0)	0.862 (21.9)	14	1.024 (26.0)	1.256 (31.9)
5	0.315 (8.0)	0.547 (13.9)	10	0.709 (18.0)	0.941 (23.9)	15	1.102 (28.0)	1.335 (33.9)
6	0.394 (10.0)	0.626 (15.9)	11	0.787 (20.0)	1.020 (25.9)	16	1.181 (30.0)	1.413 (35.9)



.079"(2.0mm) Box Header

Specification:

- Current rating: 2A
- Contact resistance: 20mΩ Max.
- Dielectric withstanding voltage: 500V AC/minute
- Ambient temperature range: -40°C ~ 105°C

4803-xx Vertical Box Header

- 8 ~ 50 circuits available
- Material: Nylon 6T, UL 94V-0
- Gold-flash brass pin
- .020"(0.5mm) square pin
- Color: Black

Ordering Information - in (mm)

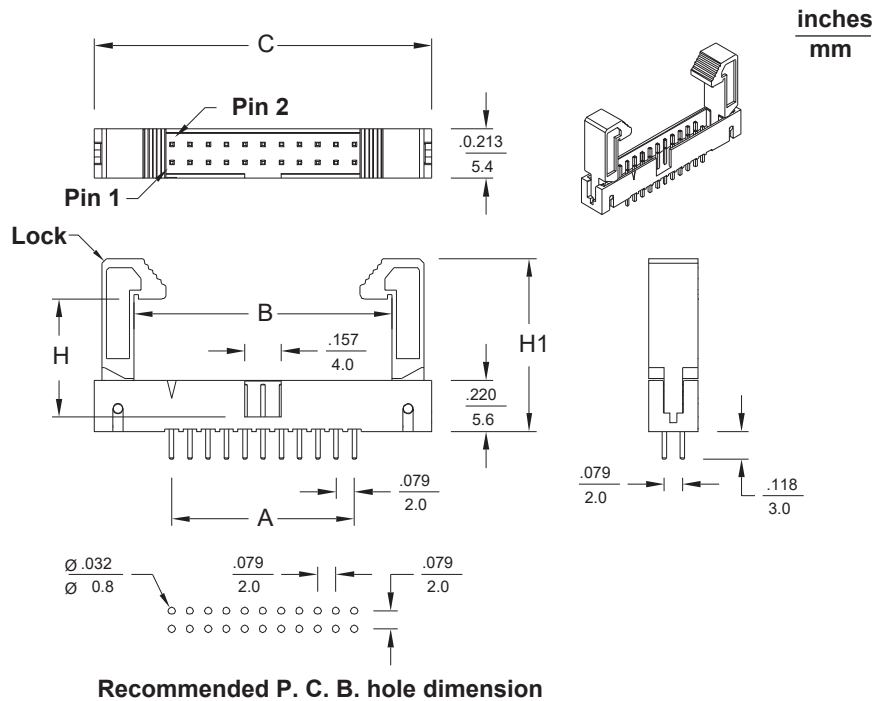
Part No.	Dim. H	Dim. H1	Features
4803-xx			Without Lock
4803-xx-1	0.350 (8.9)	0.591 (15.0)	With Lock
4803-xx-2	0.510 (12.9)	0.744 (18.9)	

&& XX = 08 ~ 50

Dimensional Information (mm)

Circuits	Dim. A	Dim. B	Dim. C
N	N - 2	N + 6.25	N + 14.9

&& N = 8 ~ 50



4804-N Series Right Angle Box Header

- 8 ~ 50 circuits available
- Material: Nylon 6T, UL 94V-0
- Gold-flash brass pin
- .020"(0.5mm) square pin
- Color: Black

Ordering Information - in (mm)

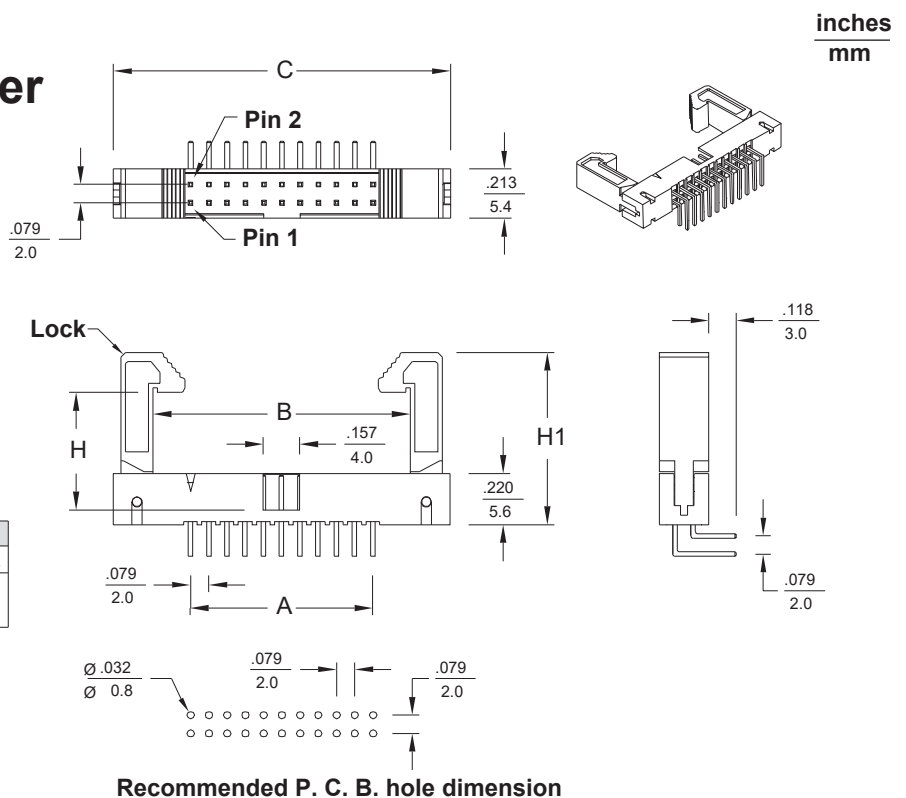
Part No.	Dim. H	Dim. H1	Features
4804-xx			Without Lock
4804-xx-1	0.350 (8.9)	0.591 (15.0)	With Lock
4804-xx-2	0.510 (12.9)	0.744 (18.9)	

&& XX = 08 ~ 50

Dimensional Information (mm)

Circuits	Dim. A	Dim. B	Dim. C
N	N - 2	N + 6.25	N + 14.9

&& N = 8 ~ 50





.079"(2.0mm) IDC Socket Assembly

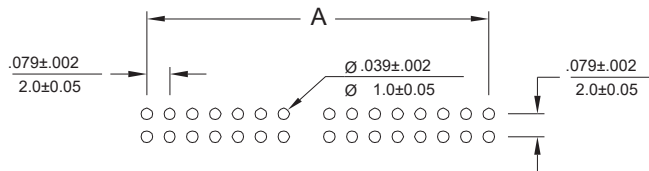
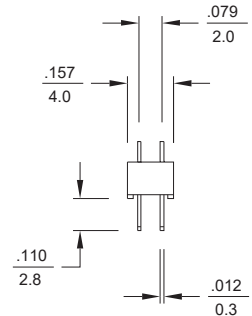
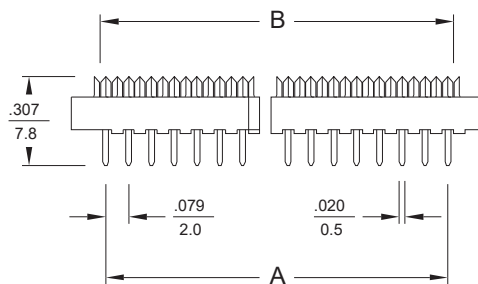
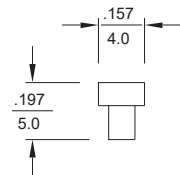
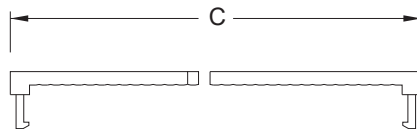
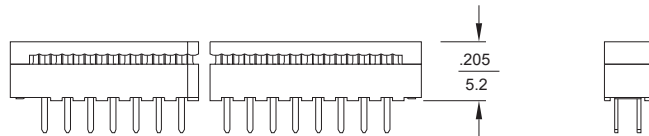
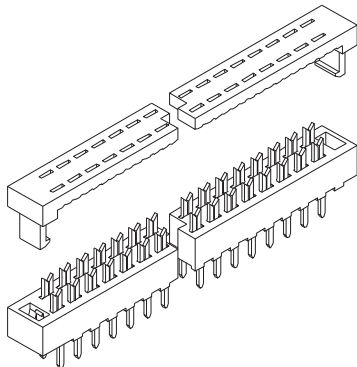
Specification:

- Current rating: 1 A
- Contact resistance: 15mΩ Max.
- Insulation resistance: DC 500V 1000MΩ Min.
- Dielectric withstanding voltage: 500V AC/minute
- Ambient temperature range: -40°C ~ 105°C

9661-N Series IDC Socket Assembly

inches
mm

- 10 ~ 60 circuits available
- Material: PBT + 30% glass fiber(UL 94V-0)
- Contact: Copper Alloy
- Finished: Tin-plated over nickel
- Wire range: #28 AWG flat ribbon wire



Recommended P. C. B. hole dimension

Dimensional Information (mm)

Circuits	Dim. A	Dim. B	Dim. C
N	N - 2	N - 1	N + 4.1

&& N = 10 ~ 60



.079"(2.0mm) IDC Socket

Specifications:

- Current rating: 1A
- Voltage rating: 100V AC, DC
- Insulation resistance: 1000MΩ Min.
- Dielectric withstanding voltage: 500V AC/minute
- Ambient temperature range: -55°C ~ 105°C
(including temperature rise)

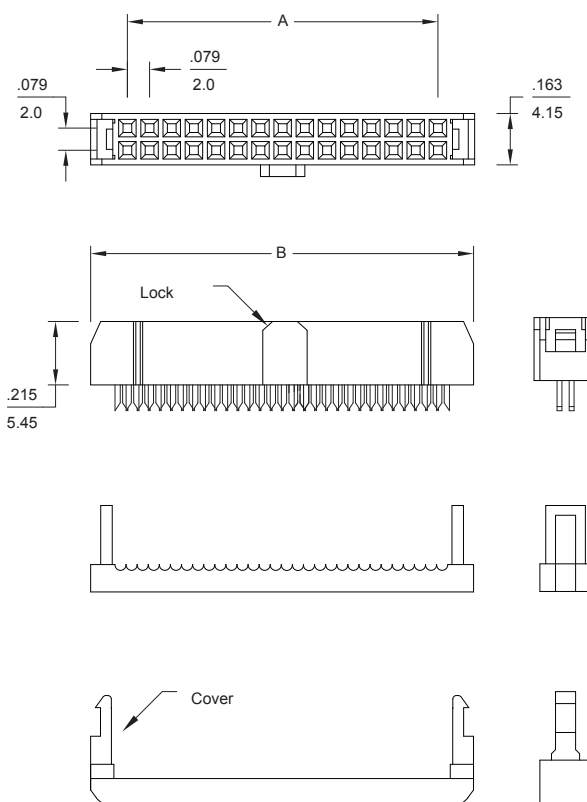
9662-xx Series IDC Socket

inches
mm

- 10 ~ 68 circuits available
- Material: PBT Polyester, UL 94V-0
- Finished: Phosphor bronze, Gold flash over nickel
- Accepts #30 AWG flat ribbon cable
- Mates with ALEX 4704, 4705, 4706 headers

Ordering Information

Part No.	Feature
9662-xx	Without lock and without cover
9662-xxL	With lock but without cover
9662-xxC	Without lock but with cover
9662-xxLC	With lock and with cover



Dimensional Information (mm)

Circuits	Dim. A	Dim. B
N	N - 2	N + 5.25

&& N = 10 ~ 68

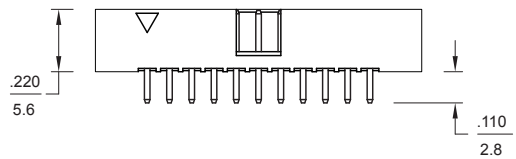
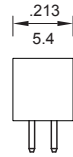
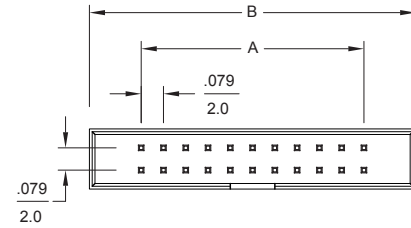
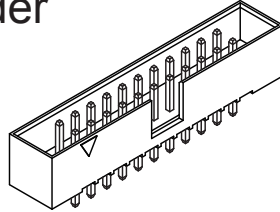


.079"(2.0mm) Dual Row Box Header

4704-N Series Dual Row Vertical Header

inches
mm

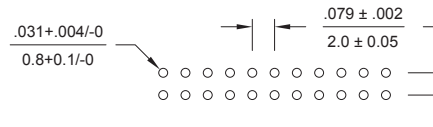
- 6 ~ 68 circuits available
- Material: Nylon 6T
- .02"(0.5mm) square pin
- Gold-plated brass pin
- Mates with ALEX 9662-xx IDC socket
- Color: Black



Dimensional Information (mm)

Circuits	Dim. A	Dim. B
N	N - 2	N + 7.3

&& N = 6 ~ 68

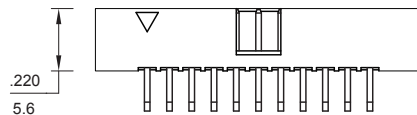
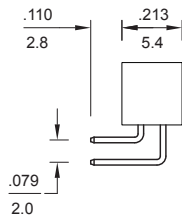
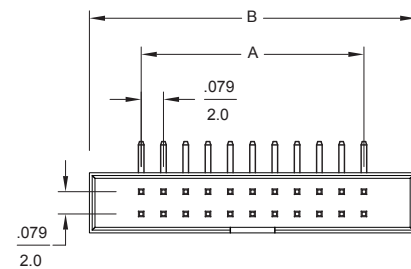
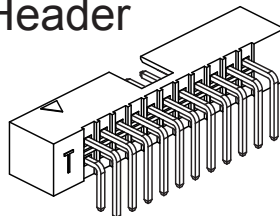


P. C. B. hole dimensions

4705-N Series Dual Row Right Angle Header

inches
mm

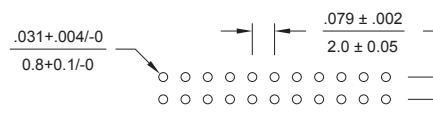
- 6 ~ 68 circuits available
- Material: Nylon 6T
- .02"(0.5mm) square pin
- Gold-plated brass pin
- Mates with ALEX 9662-xx IDC socket
- Color: Black



Dimensional Information (mm)

Circuits	Dim. A	Dim. B
N	N - 2	N + 7.3

&& N = 6 ~ 68



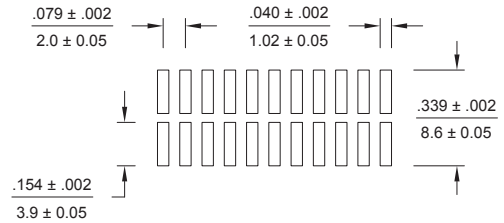
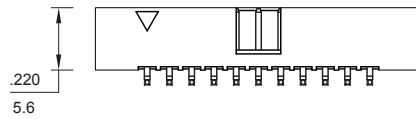
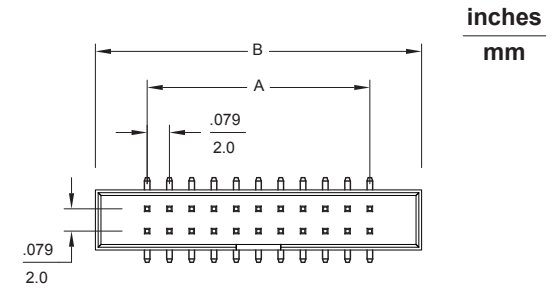
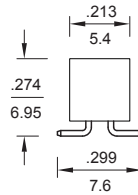
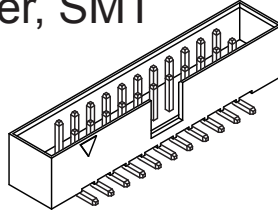
P. C. B. hole dimensions



.079"(2.0mm) Dual Row Box Header, SMT

4706-N Series Dual Row Vertical Header, SMT

- 6 ~ 68 circuits available
- Material: Nylon 6T
- .02"(0.5mm) square pin
- Gold-plated brass pin
- Mates with ALEX 9662-xx IDC socket
- Color: Black



P. C. board SMD layout

Dimensional Information (mm)

Circuits	Dim. A	Dim. B
N	N - 2	N + 7.3

&& N = 6 ~ 68



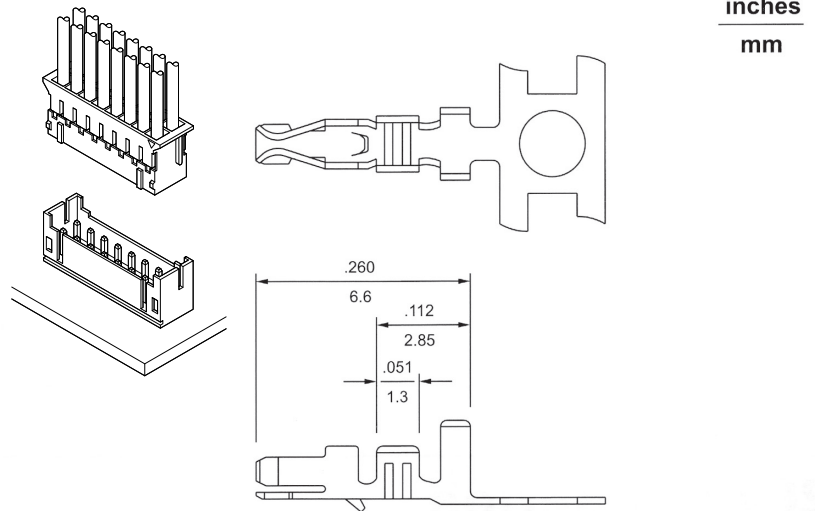
.079"(2.0mm) Crimp Terminal Housing

Specifications:

- Current rating: 3A AC, DC
- Voltage rating: 250V AC, DC
- Withstanding voltage: 800V AC/minute
- Insulation resistance: 1000MΩ min.
- Contact resistance: Initial value / 10m Ω max.
After environmental testing / 20m Ω max.
- Temperature rise: -25 °C ~ 85 °C max.
(including temperature rise)
- UL file No: E114003

2025T Series Crimp Terminal

- Material: Phosphor bronze
- Finished: Tin-plated
- Used in ALEX 2026-N , 2046-N housings
- Wire range: AWG #22 ~ #28
- Thickness: 0.2mm
- UL file No.: E114003

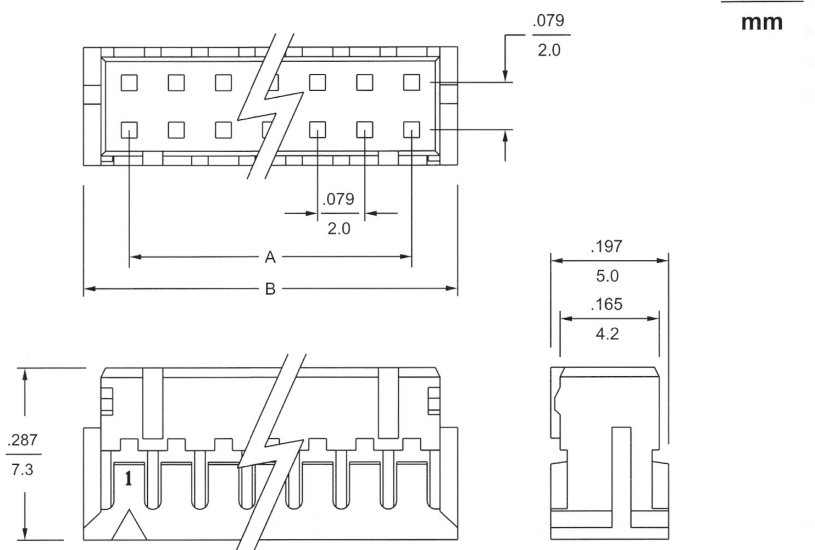


Ordering Information

Part No.	Wire size
2025T1	#24 ~ #28 AWG
2025T2	#22 ~ #26 AWG

2026-N Series Crimp Terminal Housing

- 4 ~ 32 circuits available
- Material: Nylon 66, UL 94V-0
- Standard color: White
- Accepts ALEX 2025T terminal
- Mates with ALEX 2027, 2028 series headers
- UL file No.: E114003



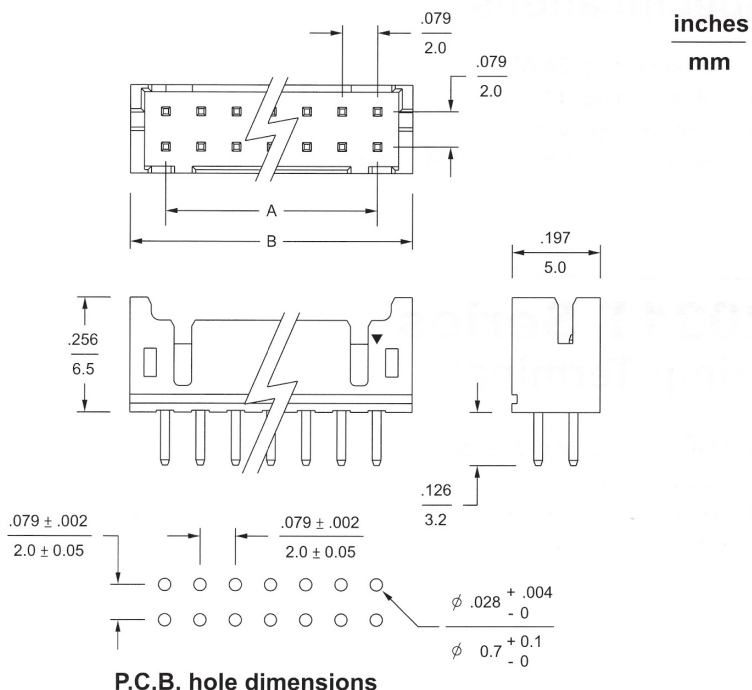
Dimensional Information - in (mm)

Circuits	Dim.A	Dim.B	Circuits	Dim.A	Dim.B	Circuits	Dim.A	Dim.B
4	0.079 (2.0)	0.232 (5.9)	14	0.472 (12.0)	0.626 (15.9)	24	0.866 (22.0)	1.020 (25.9)
6	0.157 (4.0)	0.311 (7.9)	16	0.551 (14.0)	0.705 (17.9)	26	0.945 (24.0)	1.098 (27.9)
8	0.236 (6.0)	0.390 (9.9)	18	0.630 (16.0)	0.783 (19.9)	28	1.024 (26.0)	1.177 (29.9)
10	0.315 (8.0)	0.469 (11.9)	20	0.709 (18.0)	0.862 (21.9)	30	1.102 (28.0)	1.256 (31.9)
12	0.394 (10.0)	0.547 (13.9)	22	0.787 (20.0)	0.941 (23.9)	32	1.181 (30.0)	1.335 (33.9)

.079" (2.0mm) Center Headers

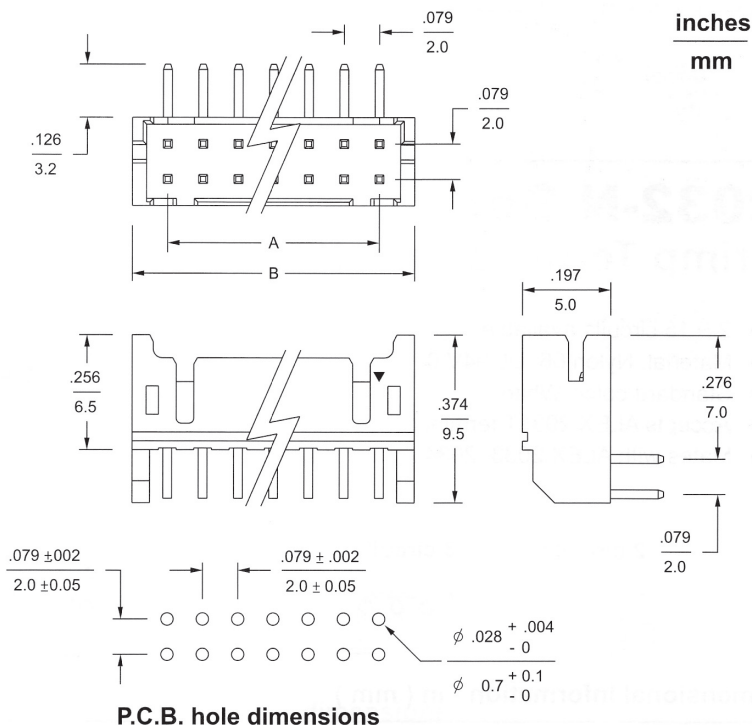
2027-N Series Vertical Header

- 4 ~ 32 circuits available
- .020" (0.5mm) square pins
- Contact: Tin-plated brass
- Insulation: UL 94V-0 Nylon 66 +15%GF
- Standard color: Nature
- Mates with ALEX 2026-N series housing
- UL file No.: E114003



2028-N Series Right Angle Header

- 4 ~ 32 circuits available
- .020" (0.5mm) square pins
- Contact: Tin-plated brass
- Insulation: UL 94V-0 Nylon 66 +15%GF
- Standard color: Nature
- Mates with ALEX 2026-N series housing
- UL file No.: E114003



Dimensional Information - in (mm) 2027/2028

Circuits	Dim.A	Dim.B	Circuits	Dim.A	Dim.B	Circuits	Dim.A	Dim.B
4	0.079 (2.0)	0.236 (6.0)	14	0.472 (12.0)	0.630 (16.0)	24	0.866 (22.0)	1.024 (26.0)
6	0.157 (4.0)	0.315 (8.0)	16	0.551 (14.0)	0.709 (18.0)	26	0.945 (24.0)	1.102 (28.0)
8	0.236 (6.0)	0.394 (10.0)	18	0.630 (16.0)	0.787 (20.0)	28	1.024 (26.0)	1.181 (30.0)
10	0.315 (8.0)	0.472 (12.0)	20	0.709 (18.0)	0.866 (22.0)	30	1.102 (28.0)	1.260 (32.0)
12	0.394 (10.0)	0.551 (14.0)	22	0.787 (20.0)	0.945 (24.0)	32	1.181 (30.0)	1.339 (34.0)



.079"(2.0mm) Crimp Terminal Housing

2046-N Series Crimp Terminal Housing

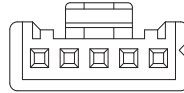
- 2 ~ 15 circuits available
- Material: UL 94V-0 nylon 66
- Accepts ALEX 2025T terminal
- Mates with ALEX 2047, 2048, 2049, 2050 headers

Dimensional Information (mm)

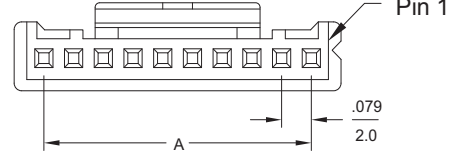
Circuits	Dim. A	Dim. B
N	2 x (N - 1)	2 x N + 0.3

&& N = 2 ~ 15

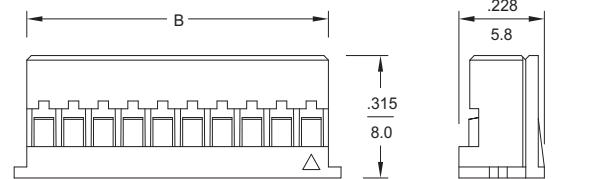
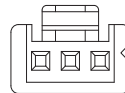
5 ~ 9P



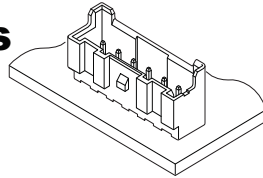
10 ~ 15P



2 ~ 4P



2047-N Series Vertical Header



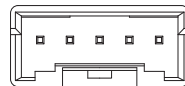
- 2 ~ 15 circuits available
- Material: Glass-filled PBT, UL 94V-0
- Tin-plated brass pin
- .020"(0.5mm) square pin
- Mates with ALEX 2046-N housing

Dimensional Information (mm)

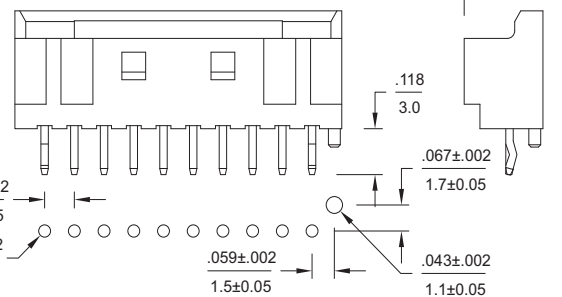
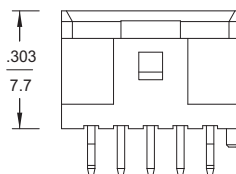
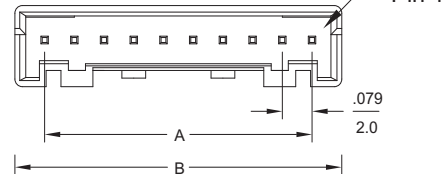
Circuits	Dim. A	Dim. B
N	2 x (N - 1)	2 x (N + 1)

&& N = 2 ~ 15

2 ~ 9P

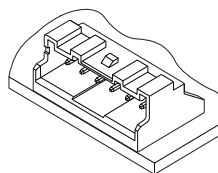


10 ~ 15P



P. C. board hole dimensions

2048-N Series Right Angle Header



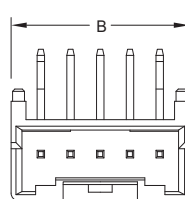
- 2 ~ 15 circuits available
- Material: Glass-filled PBT, UL 94V-0
- Tin-plated brass pin
- .020"(0.5mm) square pin
- Mates with ALEX 2046-N housing

Dimensional Information (mm)

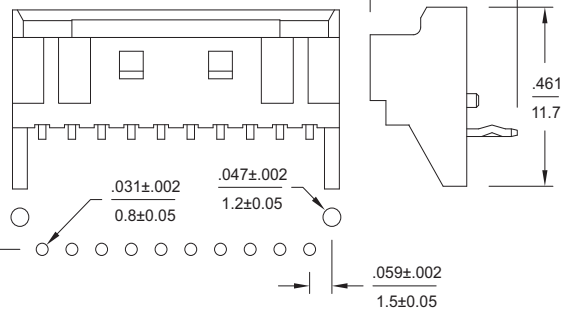
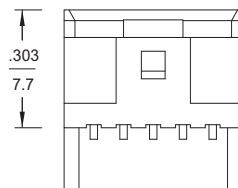
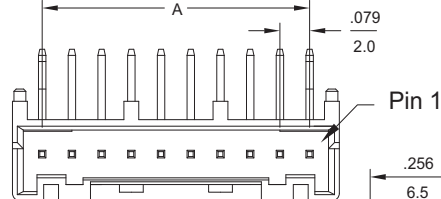
Circuits	Dim. A	Dim. B
N	2 x (N - 1)	2 x (N + 1)

&& N = 2 ~ 15

2 ~ 9P



10 ~ 15P



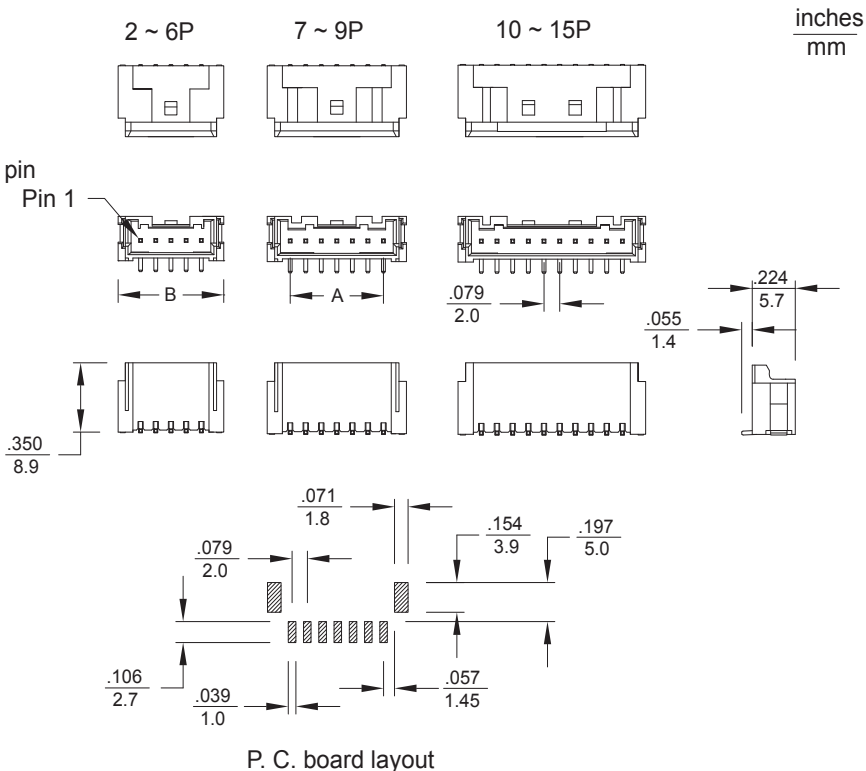
P. C. board hole dimensions

.079"(2.0mm) Crimp Terminal Housing

2049-N Series

Vertical Header, SMT

- 2 ~ 15 circuits available
- Material: Nylon 6T, UL 94V-0
- Contact & solder tab: Tin-plated brass pin
- .020"(0.5mm) square pin
- Mates with ALEX 2046-N housing
- Color: Natural



Dimensional Information (mm)

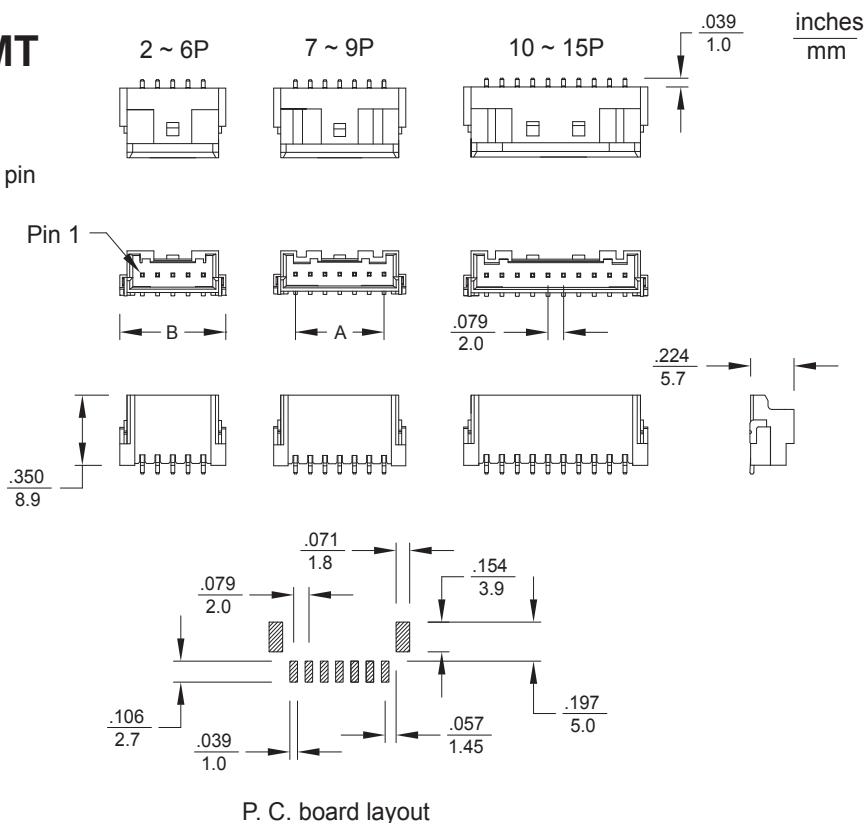
Circuits	Dim. A	Dim. B
N	2 x (N - 1)	2 x N + 4

&& N = 2 ~ 15

2050-N Series

Right Angle Header, SMT

- 2 ~ 15 circuits available
- Material: Nylon 6T, UL 94V-0
- Contact & solder tab: Tin-plated brass pin
- .020"(0.5mm) square pin
- Mates with ALEX 2046-N housing
- Color: Natural



Dimensional Information (mm)

Circuits	Dim. A	Dim. B
N	2 x (N - 1)	2 x N + 4

&& N = 2 ~ 15



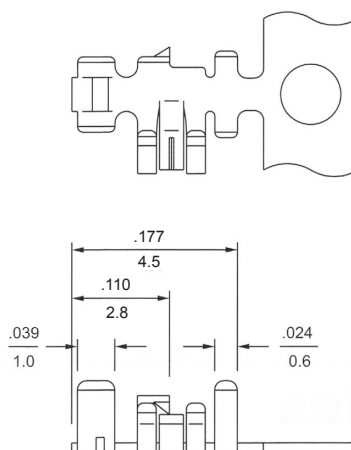
.079"(2.0mm) Crimp Terminal Housing

Specifications:

- Current rating: 2AAC, DC
- Voltage rating: 100V AC, DC
- Withstanding voltage: 800V AC/minute
- Insulation resistance: 1000MΩ min.
- Contact resistance: Initial value/20mΩ max.
- Temperature rise: -25 °C ~ 85 °C max. (including temperature rise)
- Applicable P.C. board thickness: .063"(1.6mm)

2031T Series Crimp Terminal

- Material: Phosphor bronze
- Finished: Tin-plated
- Used in ALEX 2032-N series housing
- Wire range: AWG#24 ~ #28
- Thickness: 0.25mm



inches
mm

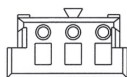
2032-N Series Crimp Terminal Housing

- 2 ~ 16 circuits available
- Material: Nylon 66, UL 94V-0
- Standard color: White
- Accepts ALEX 2031T terminal
- Mates with ALEX 2033, 2034 series headers

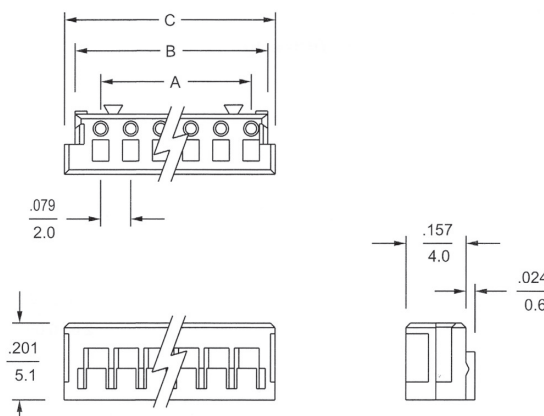
2 circuits



3 circuits



4 ~ 15 circuits



inches
mm

Dimensional Information - in (mm)

Circuits	Dim.A	Dim.B	Dim.C	Circuits	Dim.A	Dim.B	Dim.C
2	0.079 (2.0)	0.189 (4.8)	0.236 (6.0)	10	0.709 (18.0)	0.819 (20.8)	0.866 (22.0)
3	0.157 (4.0)	0.268 (6.8)	0.315 (8.0)	11	0.787 (20.0)	0.898 (22.8)	0.945 (24.0)
4	0.236 (6.0)	0.346 (8.8)	0.394 (10.0)	12	0.866 (22.0)	0.976 (24.8)	1.024 (26.0)
5	0.315 (8.0)	0.425 (10.8)	0.472 (12.0)	13	0.945 (24.0)	1.055 (26.8)	1.102 (28.0)
6	0.394 (10.0)	0.504 (12.8)	0.551 (14.0)	14	1.024 (26.0)	1.134 (28.8)	1.181 (30.0)
7	0.472 (12.0)	0.583 (14.8)	0.630 (16.0)	15	1.102 (28.0)	1.213 (30.8)	1.260 (32.0)
8	0.551 (14.0)	0.661 (16.8)	0.709 (18.0)	16	1.181 (30.0)	1.291 (32.8)	1.339 (34.0)
9	0.630 (16.0)	0.740 (18.8)	0.787 (20.0)				

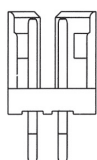


.079"(2.0mm) Center Headers

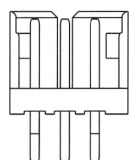
2033-N Series Vertical Header

- 2 ~ 16 circuits available
- .024"(0.6mm) straight round pins
- Contact: Tin-plated brass
- Insulation: Nylon 66, UL 94V-0
- Mates with ALEX 2032 series housing

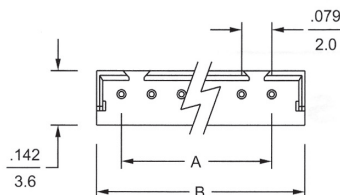
2 circuits



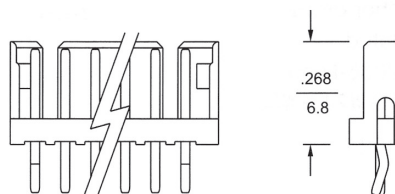
3 circuits



4 ~ 15 circuits



inches
mm

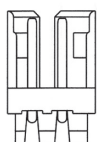


P.C.B. hole dimensions

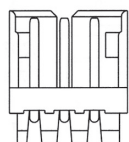
2034-N Series Right Angle Header

- 2 ~ 16 circuits available
- .024"(0.6mm) right angle round pins
- Contact: Tin-plated brass
- Insulation: Nylon 66, UL 94V-0
- Mates with ALEX 2032 series housing

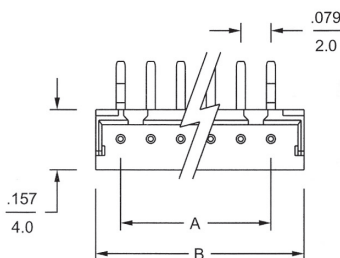
2 circuits



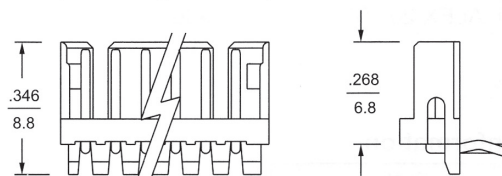
3 circuits



4 ~ 15 circuits



inches
mm



Dimensional Information - in (mm) 2033/2034

Circuits	Dim.A	Dim.B	Circuits	Dim.A	Dim.B	Circuits	Dim.A	Dim.B
2	0.079 (2.0)	0.228 (5.8)	7	0.472 (12.0)	0.622 (15.8)	12	0.866 (22.0)	1.016 (25.8)
3	0.157 (4.0)	0.307 (7.8)	8	0.551 (14.0)	0.701 (17.8)	13	0.945 (24.0)	1.094 (27.8)
4	0.236 (6.0)	0.386 (9.8)	9	0.630 (16.0)	0.780 (19.8)	14	1.024 (26.0)	1.173 (29.8)
5	0.315 (8.0)	0.465 (11.8)	10	0.709 (18.0)	0.858 (21.8)	15	1.102 (28.0)	1.252 (31.8)
6	0.394 (10.0)	0.543 (13.8)	11	0.787 (20.0)	0.937 (23.8)	16	1.181 (30.0)	1.331 (33.8)



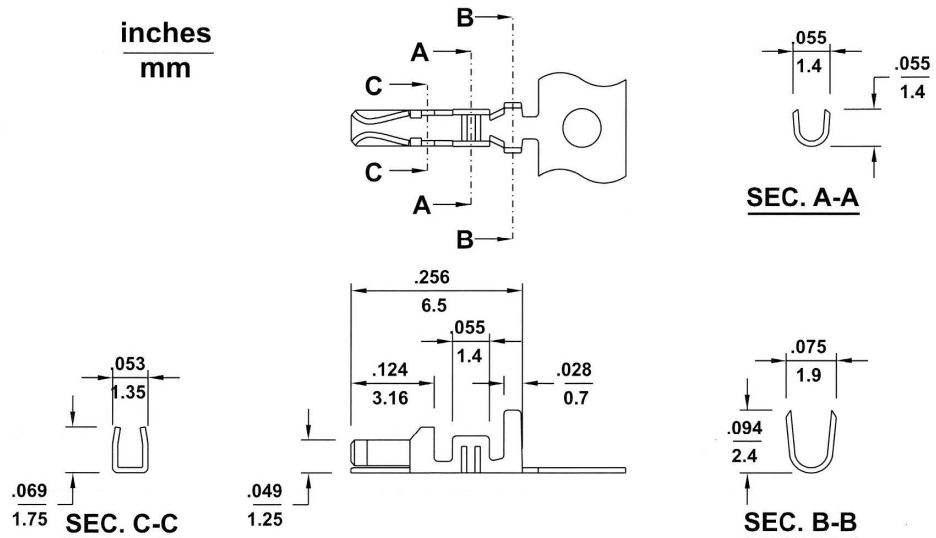
.079"(2.0mm) Crimp Terminal Housing

Specifications:

- Current rating: 3A AC, DC
- Voltage rating: 250V AC, DC
- Contact resistance: 20mΩ Max.
- Insulation resistance: 1000MΩ Max.
- Dielectric withstanding voltage: 800V AC/minute
- Temperature range: -25 °C ~ 85 °C (Including temperature rise)
- UL file No. : E114003

2035T Series Crimp Terminal

- Material: Phosphor bronze
- Finished: Tin-plated
- Used in ALEX 2036-N housing
- Wire range: AWG #24 ~ #30
- Thickness: 0.2mm



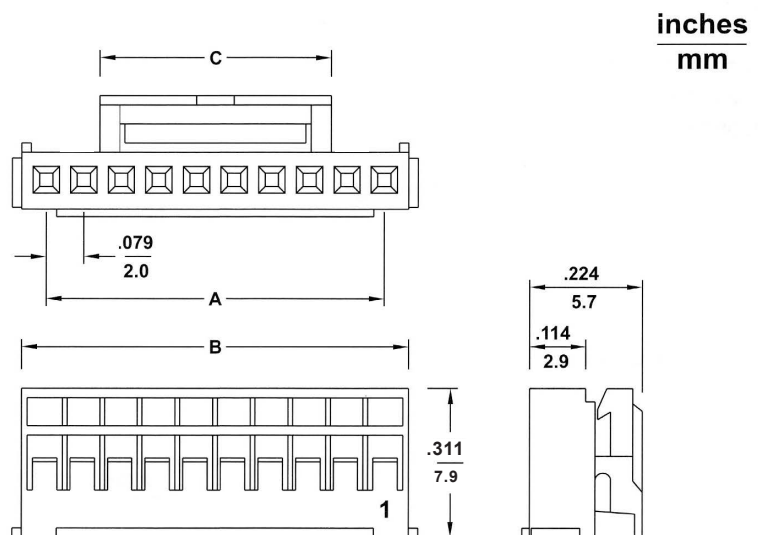
2036-N Series Crimp Terminal Housing

- 2 ~ 16 circuits available
- Material: UL 94V-0 nylon 66
- Standard color: White
- Accepts ALEX 2035T terminal
- Mates with ALEX 2037-N, 2038-N headers

Ordering Information

Part No.	Feature
2036-xx	Without side pole

&& xx = 02 ~ 16



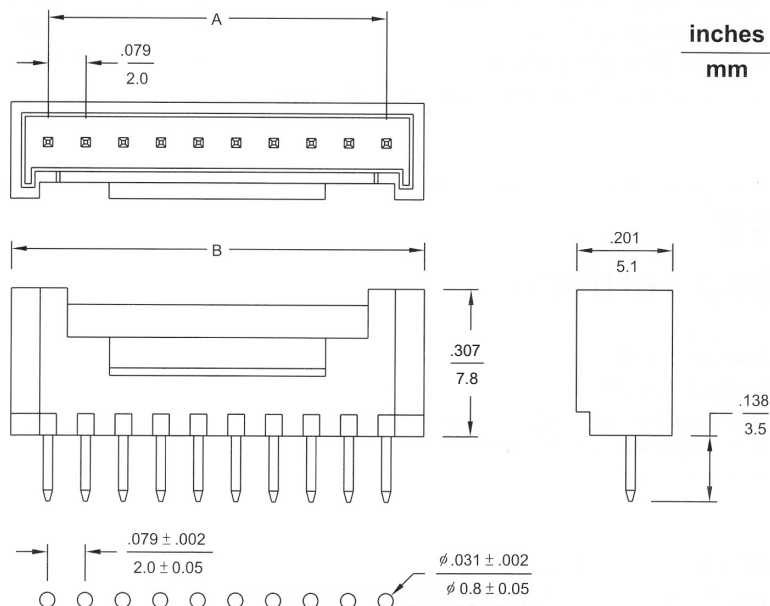
Dimensional Information - in (mm)

Circuits	Dim.A	Dim.B	Dim.C	Circuits	Dim.A	Dim.B	Dim.C
2	0.079 (2.0)	0.181 (4.6)	0.126 (3.2)	10	0.709 (18.0)	0.811 (20.6)	0.551 (14.0)
3	0.157 (4.0)	0.260 (6.6)	0.126 (3.2)	11	0.787 (20.0)	0.890 (22.6)	0.630 (16.0)
4	0.236 (6.0)	0.339 (8.6)	0.126 (3.2)	12	0.866 (22.0)	0.969 (24.6)	0.630 (16.0)
5	0.315 (8.0)	0.417 (10.6)	0.236 (6.0)	13	0.945 (24.0)	1.047 (26.6)	0.630 (16.0)
6	0.394 (10.0)	0.496 (12.6)	0.315 (8.0)	14	1.024 (26.0)	1.126 (28.6)	0.630 (16.0)
7	0.472 (12.0)	0.575 (14.6)	0.394 (10.0)	15	1.102 (28.0)	1.205 (30.6)	0.630 (16.0)
8	0.551 (14.0)	0.654 (16.6)	0.472 (12.0)	16	1.181 (30.0)	1.283 (32.6)	0.630 (16.0)
9	0.630 (16.0)	0.732 (18.6)	0.551 (14.0)				

.079"(2.0mm) Crimp Terminal Housing

2037-N Series Vertical Header

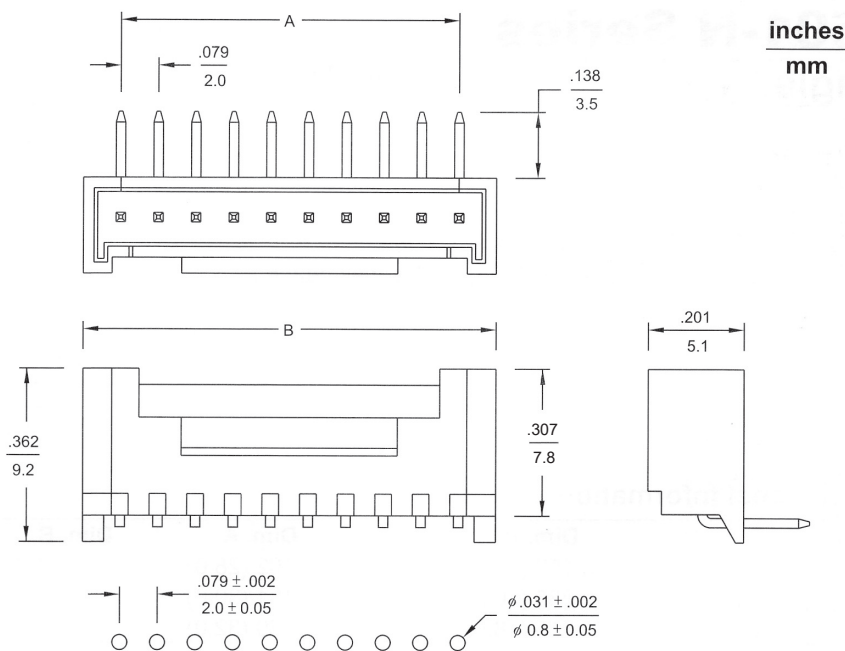
- 2 ~ 16 circuits available
- UL 94V-0 nylon 66
- .020"(0.5mm) square pin
- Tin-plated brass pin
- Mates with ALEX 2036-N housing
- Color: White



P. C. board hole dimensions

2038-N Series Right Angle Header

- 2 ~ 16 circuits available
- UL 94V-0 nylon 66
- .020"(0.5mm) square pin
- Tin-plated brass pin
- Mates with ALEX 2036-N housing
- Color: White



P. C. board hole dimensions

Dimensional Information - in (mm) 2037 / 2038

Circuits	Dim. A	Dim. B	Circuits	Dim. A	Dim. B	Circuits	Dim. A	Dim. B
2	0.079 (2.0)	0.236 (6.0)	7	0.472 (12.0)	0.630 (16.0)	12	0.866 (22.0)	1.024 (26.0)
3	0.157 (4.0)	0.315 (8.0)	8	0.551 (14.0)	0.709 (18.0)	13	0.945 (24.0)	1.102 (28.0)
4	0.236 (6.0)	0.394 (10.0)	9	0.630 (16.0)	0.787 (20.0)	14	1.024 (26.0)	1.181 (30.0)
5	0.315 (8.0)	0.472 (12.0)	10	0.709 (18.0)	0.866 (22.0)	15	1.102 (28.0)	1.260 (32.0)
6	0.394 (10.0)	0.551 (14.0)	11	0.787 (20.0)	0.945 (24.0)	16	1.181 (30.0)	1.339 (34.0)



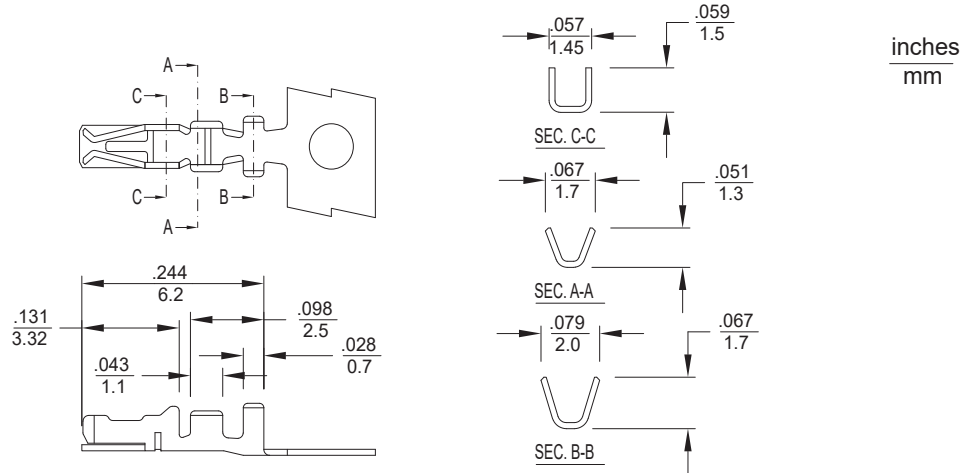
.079"(2.0mm) Crimp Terminal Housing

Specification:

- Current rating: 2A
- Contact resistance: 20mΩ Max.
- Dielectric withstanding voltage: 500V AC/minute
- Insulation resistance: 1000MΩ Min. at DC 500V
- Ambient temperature range: -55°C ~ 105°C

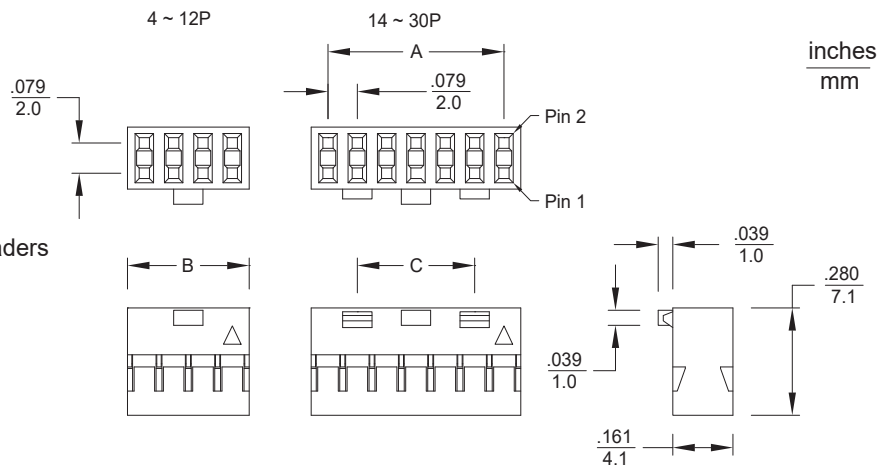
2040T Crimp Terminal

- Material: Phosphor bronze
- Finished: Tin-plated over nickel
- Used in ALEX 2041-N housing
- Thickness: 0.2mm
- Q'ty: 10,000 PCS/Reel



2041-N Series Dual Row Housing

- 4 ~ 30 circuits available
- Material: UL 94V-0 nylon 66
- Accepts ALEX 2040T terminal
- Mates with ALEX 2042, 2043, 2044 headers



Dimensional Information (mm)

Circuit	Dim. A	Dim. B	Dim. C
N = 4 ~ 12	N - 2	N + 0.3	
N = 14 ~ 30			N - 6

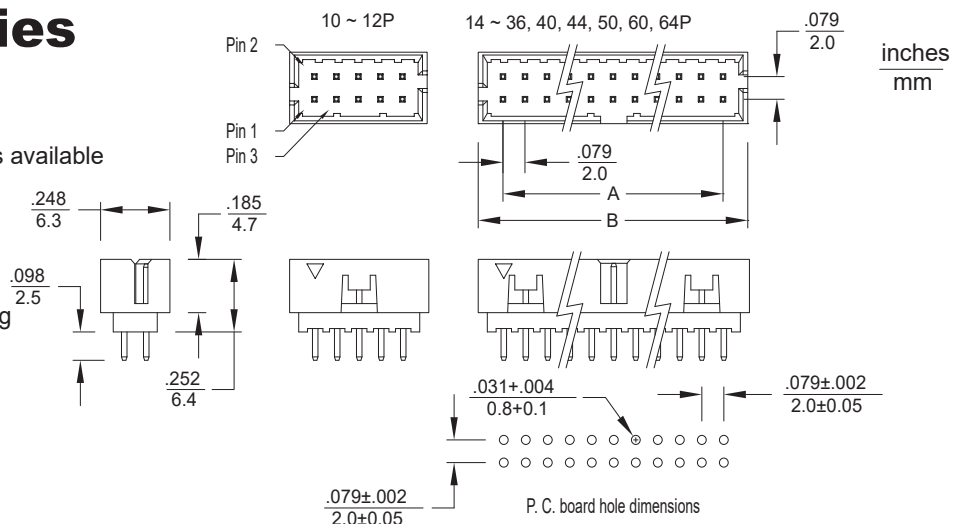
2042-xx-2 Series Vertical Box Header

- 10 ~ 20, 24 ~ 36, 40 ~ 50 circuits available
- Plastic material: Nylon 6T
- Contact material: Brass
- Finished: Gold over nickel
- .020"(0.5mm) square pin
- Mates with ALEX 2041-N housing
- Without disposable cap
- Packing: Tray

Ordering & Dimensional Information (mm)

Circuits	Dim. A	Dim. B
N	N - 2	N + 2.65

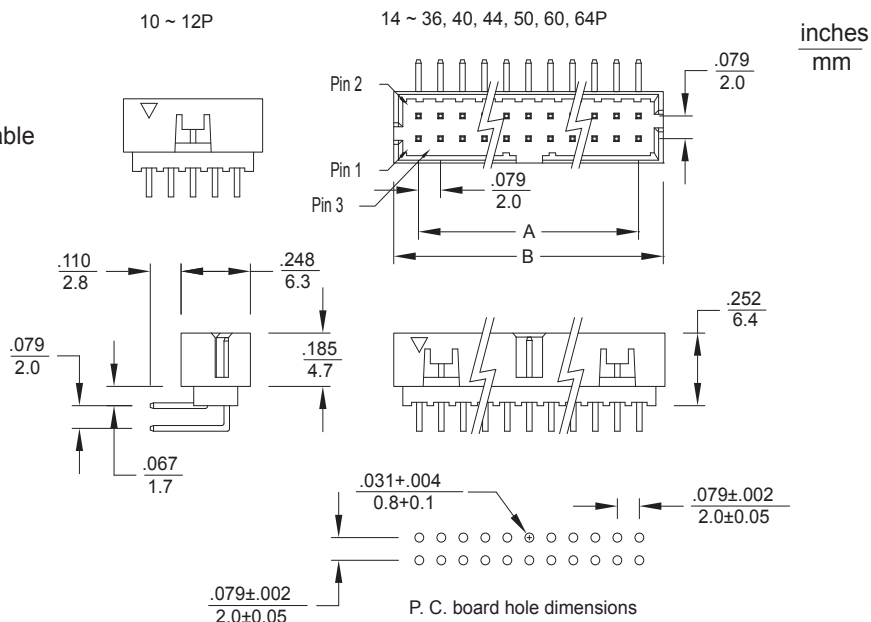
&& N = 10 ~ 20, 24 ~ 36, 40 ~ 50



.079" (2.0mm) Crimp Terminal Housing

2043-xx-2 Series Right Angle Box Header

- 10 ~ 36, 40, 44, 50, 60, 64 circuits available
- Plastic material: Nylon 6T
- Contact material: Brass
- Finished: Gold over nickel
- .020" (0.5mm) square pin
- Mates with ALEX 2041-N housing
- Without disposable cap
- Packing: Tray



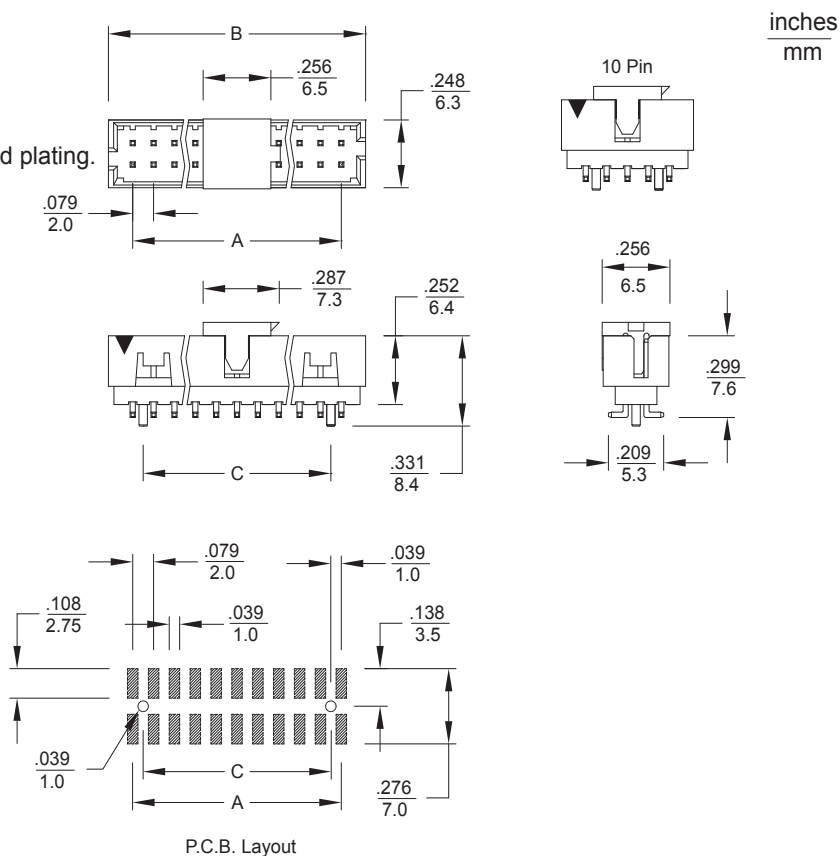
Ordering & Dimensional Information (mm)

Circuits	Dim. A	Dim. B
N	N - 2	N + 2.65

&& N = 10 ~ 36, 40, 44, 50, 60, 64

2044-xx Series Vertical Box Header, SMT

- 10, 14, 16, 24, 26, 30 circuits available
- .020" (0.5mm) square pin, Copper alloy, Gold plating.
- Plastic material: Nylon 6T, Black
- Mates with ALEX 2041-N housing
- Cap material: LCP, Black



Dimensional Information - in (mm)

Circuits	Dim. A	Dim. B	Dim. C
10	0.315 (8.0)	0.498 (12.65)	0.236 (6.0)
14	0.472 (12.0)	0.656 (16.65)	0.394 (10.0)
16	0.551 (14.0)	0.734 (18.65)	0.472 (12.0)
24	0.866 (22.0)	1.049 (26.65)	0.787 (20.0)
26	0.945 (24.0)	1.128 (28.65)	0.866 (22.0)
30	1.102 (28.0)	1.285 (32.65)	1.024 (26.0)



.079"(2.0mm) Crimp Terminal Housing

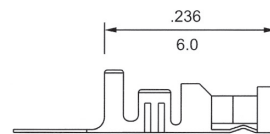
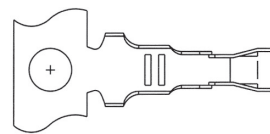
Specifications:

- Current rating: 1A AC, DC max.
- Voltage rating: 250V AC, DC
- Dielectric Strength: 800V AC/minute
- Applicable P. C. board thickness: .063"(1.6mm)
- Insulation resistance: 1000M Ω min.
- Contact resistance: 20m Ω max.
- Temperature range: -25 °C ~ 95 °C max. (including temperature rise)

45T Crimp Terminal

inches
mm

- Material: Brass
- Finished: Gold flash
- Used in ALEX 4501, 4521 series housings
- Wire range: AWG #26 ~ #30
- Thickness: 0.2mm



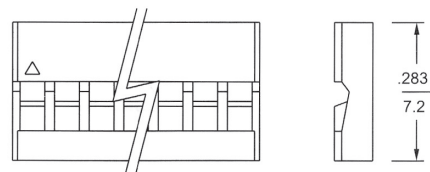
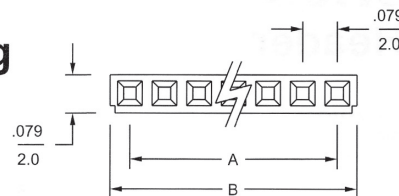
Ordering Information

Part No.	Description
45T-1850	Used in 4501(02 ~ 19), 4521(04 ~ 18)
45T-1950	Used in 4501(20 ~ 40), 4521(20 ~ 80)

4501-N Series Single Row Crimp Terminal Housing

inches
mm

- 2 ~ 40 circuits available
- Material: **UL 94V-0 nylon 66 Glass fiber polyester**
- Standard color: Black
- Accepts ALEX 45T series terminals
- Mates with ALEX 4502, 4503, 4504, 4505 series headers



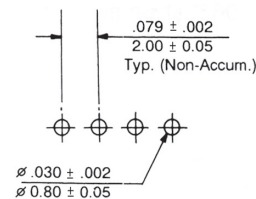
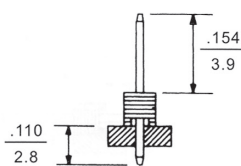
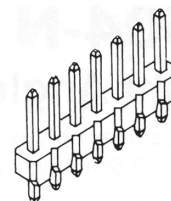
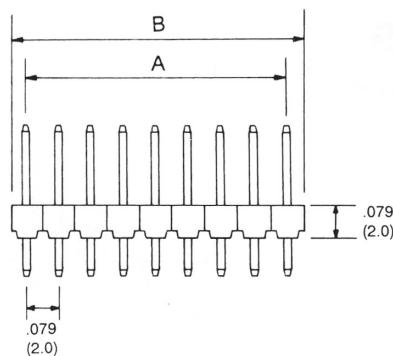
Dimensional Information - in (mm)

Circuits	Dim. A	Dim. B	Circuits	Dim. A	Dim. B	Circuits	Dim. A	Dim. B
2	0.079 (2.0)	0.157 (4.0)	15	1.102 (28.0)	1.181 (30.0)	28	2.126 (54.0)	2.205 (56.0)
3	0.157 (4.0)	0.236 (6.0)	16	1.181 (30.0)	1.260 (32.0)	29	2.205 (56.0)	2.283 (58.0)
4	0.236 (6.0)	0.315 (8.0)	17	1.260 (32.0)	1.339 (34.0)	30	2.283 (58.0)	2.362 (60.0)
5	0.315 (8.0)	0.394 (10.0)	18	1.339 (34.0)	1.417 (36.0)	31	2.362 (60.0)	2.441 (62.0)
6	0.394 (10.0)	0.472 (12.0)	19	1.417 (36.0)	1.496 (38.0)	32	2.441 (62.0)	2.520 (64.0)
7	0.472 (12.0)	0.551 (14.0)	20	1.496 (38.0)	1.575 (40.0)	33	2.520 (64.0)	2.598 (66.0)
8	0.551 (14.0)	0.630 (16.0)	21	1.575 (40.0)	1.654 (42.0)	34	2.598 (66.0)	2.677 (68.0)
9	0.630 (16.0)	0.709 (18.0)	22	1.654 (42.0)	1.732 (44.0)	35	2.677 (68.0)	2.756 (70.0)
10	0.709 (18.0)	0.787 (20.0)	23	1.732 (44.0)	1.811 (46.0)	36	2.756 (70.0)	2.835 (72.0)
11	0.787 (20.0)	0.866 (22.0)	24	1.811 (46.0)	1.890 (48.0)	37	2.835 (72.0)	2.913 (74.0)
12	0.866 (22.0)	0.945 (24.0)	25	1.890 (48.0)	1.969 (50.0)	38	2.913 (74.0)	2.992 (76.0)
13	0.945 (24.0)	1.024 (26.0)	26	1.969 (50.0)	2.047 (52.0)	39	2.992 (76.0)	3.071 (78.0)
14	1.024 (26.0)	1.102 (28.0)	27	2.047 (52.0)	2.126 (54.0)	40	3.071 (78.0)	3.150 (80.0)

.079" (2.0mm) Center Headers

4502-N Series Straight Flat Header

- PBT, UL 94V-0
- .020" (0.5mm) straight square wire pins
- Various pin lengths available
- 2-40 circuits available
- Mates with 4501, 4601 series housings
- Applicable PC board thickness: .063" (1.6mm)



inches
mm

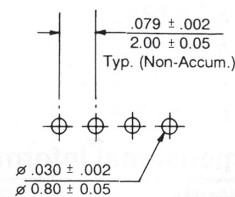
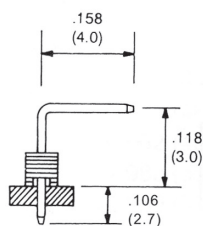
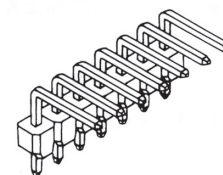
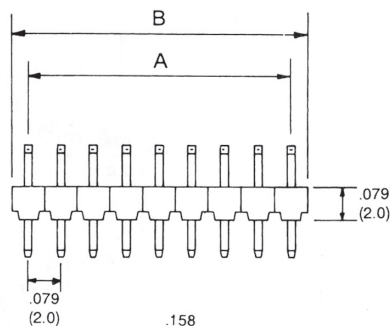
Recommended P.C.Board
Hole Layout

Dimensional Information - in. (mm) 4502/4503

Circuits	Dim. A	Dim. B	Circuits	Dim. A	Dim. B	Circuits	Dim. A	Dim. B
2	0.079 (2.0)	0.167 (4.0)	15	1.102 (28.0)	1.181 (30.0)	28	2.126 (54.0)	2.205 (56.0)
3	0.167 (4.0)	0.236 (6.0)	16	1.181 (30.0)	1.260 (32.0)	29	2.205 (56.0)	2.284 (58.0)
4	0.236 (6.0)	0.315 (8.0)	17	1.260 (32.0)	1.339 (34.0)	30	2.284 (58.0)	2.362 (60.0)
5	0.315 (8.0)	0.394 (10.0)	18	1.339 (34.0)	1.417 (36.0)	31	2.362 (60.0)	2.441 (62.0)
6	0.394 (10.0)	0.472 (12.0)	19	1.417 (36.0)	1.496 (38.0)	32	2.441 (62.0)	2.520 (64.0)
7	0.472 (12.0)	0.551 (14.0)	20	1.496 (38.0)	1.575 (40.0)	33	2.520 (64.0)	2.599 (66.0)
8	0.551 (14.0)	0.630 (16.0)	21	1.575 (40.0)	1.654 (42.0)	34	2.599 (66.0)	2.677 (68.0)
9	0.630 (16.0)	0.709 (18.0)	22	1.654 (42.0)	1.732 (44.0)	35	2.677 (68.0)	2.756 (70.0)
10	0.709 (18.0)	0.787 (20.0)	23	1.732 (44.0)	1.811 (46.0)	36	2.756 (70.0)	2.835 (72.0)
11	0.787 (20.0)	0.866 (22.0)	24	1.811 (46.0)	1.890 (48.0)	37	2.835 (72.0)	2.913 (74.0)
12	0.866 (22.0)	0.945 (24.0)	25	1.890 (48.0)	1.969 (50.0)	38	2.913 (74.0)	2.992 (76.0)
13	0.945 (24.0)	1.024 (26.0)	26	1.969 (50.0)	2.047 (52.0)	39	2.992 (76.0)	3.071 (78.0)
14	1.024 (26.0)	1.102 (28.0)	27	2.047 (52.0)	2.126 (54.0)	40	3.071 (78.0)	3.150 (80.0)

4503-N Series Right Angle Flat Header

- PBT, UL 94V-0
- .020" (0.5mm) right angle square wire pins
- Various pin lengths available
- 2-40 circuits available
- Mates with 4501, 4601 series housings
- Applicable PC board thickness: .063" (1.6mm)



inches
mm

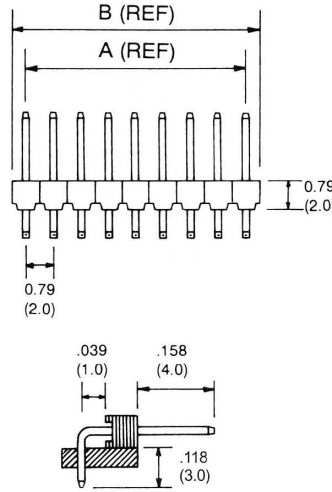
Recommended P.C.Board
Hole Layout



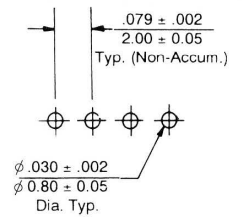
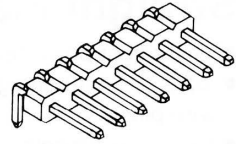
.079"(2.0mm) Crimp Terminal Housing

4504-N Series Right Angle Flat Header

- PBT, UL 94V-0
- .020" (0.5mm) right angle square wire pins
- Various pin lengths available
- 2-40 circuits available
- Mates with 4501, 4601 series housings
- Applicable PC board thickness: .063" (1.6mm)



inches
mm



Recommended P.C. Board
Hole Layout

NOTE:

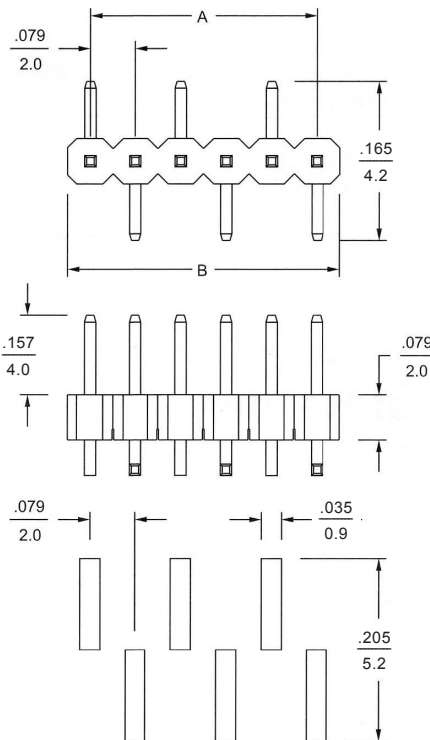
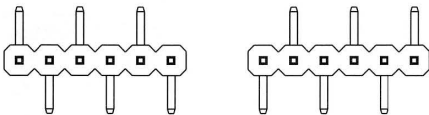
A=(Circuits-1) x (2.0mm)
B=(Circuits) x (2.0mm)

4505-xx Series Vertical Header, SMT

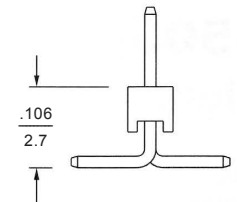
- 2 ~ 40 circuits available
- Insulator: Nylon 6T
- Contact: Brass
- Gold flash plated over nickel
- .020"(0.5mm) square pin
- Various pin lengths available
- Mates with ALEX 4501, 4601 housings

4505-xxA

4505-xxB



inches
mm



Dimensional Information (mm)

Part No.	Dim. A	Dim. B
4505-xxA	2.0 x (N - 1)	2.0 x N
4505-xxB		

&& N = 2 ~ 40

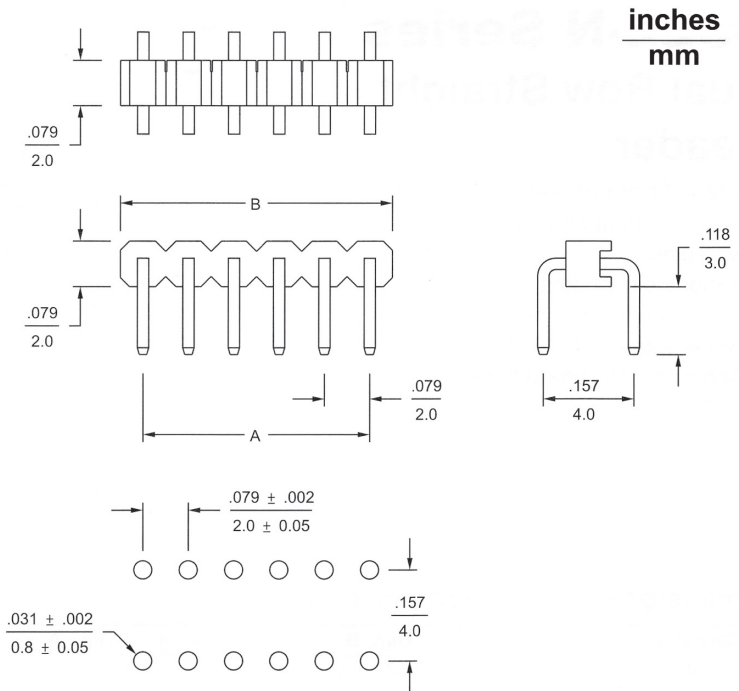
P. C. board hole dimensions



.079"(2.0mm) Crimp Terminal Housing

4506-N Series Right Angle Header

- 2 ~ 40 circuits available
- Insulator: PBT, UL 94V-0
- Contact: Brass
- Gold flash plated over nickel
- .020"(0.5mm) square pin
- Various pin lengths available



Dimensional Information (mm)

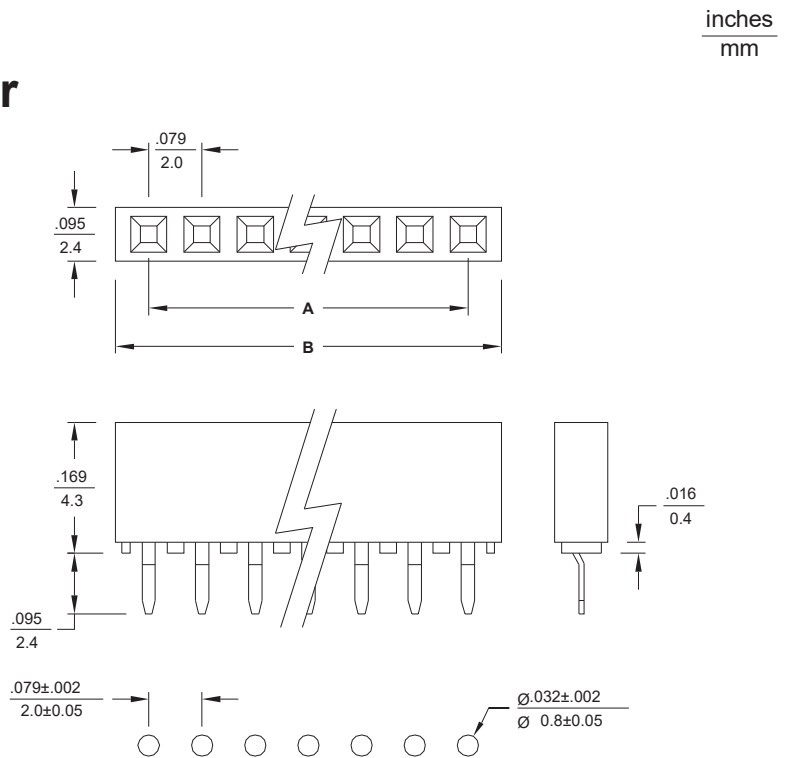
Part No.	Dim. A	Dim. B
4506-N	$2.0 \times (N - 1)$	$2.0 \times N$

&& N = 1 ~ 40

P. C. board hole dimensions

9909-N Series Single Row Vertical Header

- 2 ~ 40 circuits available
- Material: PBT
- Contact material: phosphor bronze
- Finished: Gold-flash over nickel
- Color: Black



Dimensional Information (mm)

Circuits	Dim. A	Dim. B
N	$2.0 \times (N - 1)$	$2.0 \times N + 0.5$

&& N = 2 ~ 40

Recommended P. C. B. hole dimension

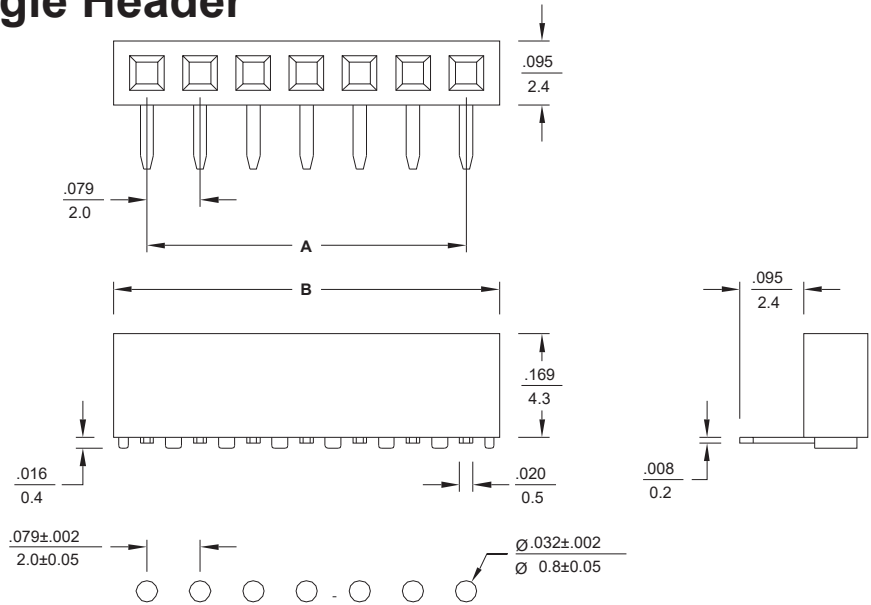


.079"(2.0mm) Crimp Terminal Housing

9934-xx-08 Series Single Row Right Angle Header

inches
mm

- 2 ~ 40 circuits available
- Material: Nylon 6T
- Contact material: Phosphor bronze
- Finished: Gold-flash over nickel
- Color: Black
- Packing: Tray



Dimensional Information (mm)

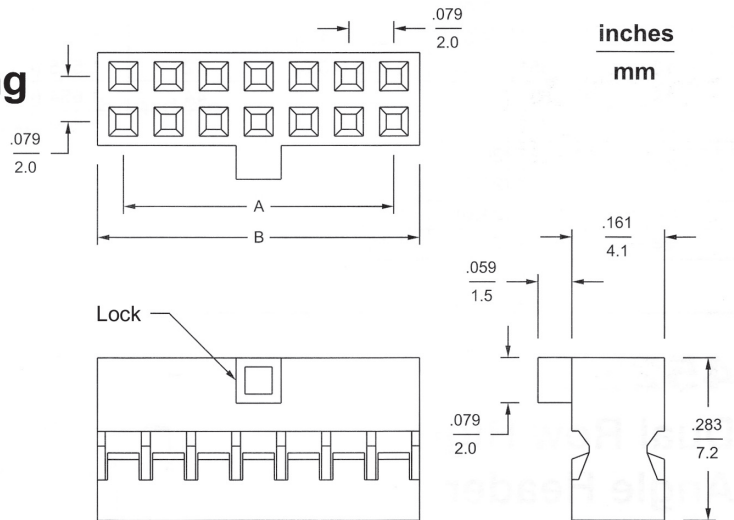
Circuits	Dim. A	Dim. B
N	$2.0 \times (N - 1)$	$2.0 \times N + 0.5$

& N = 2 ~ 40

Recommended P. C. B. hole dimension

4521-xx Series Dual Row Crimp Terminal Housing

- 4 ~ 80 circuits available
- Material: PBT, UL 94V-0
- Standard color: Black
- Accepts ALEX 45T series terminals
- Mates with ALEX 4522, 4523, 4524 series headers



Ordering Information

Part No.	Description	Note
4521-xx	Without lock	XX = 04~80
4521-xx-PR	With lock	XX = 06~80

Dimensional Information - in (mm)

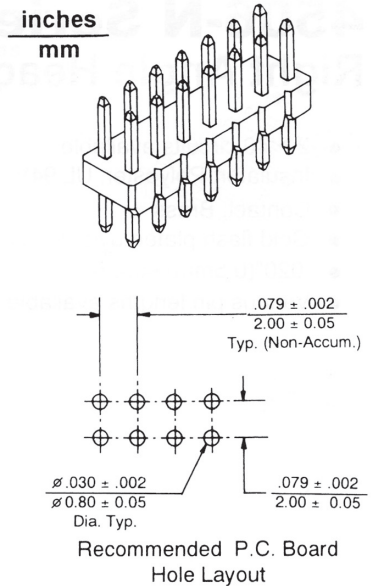
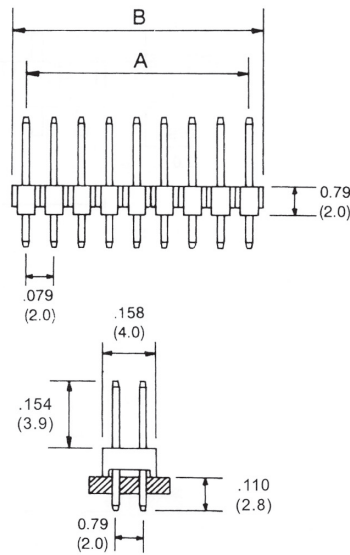
Circuits	Dim. A	Dim. B	Circuits	Dim. A	Dim. B	Circuits	Dim. A	Dim. B
4	0.079 (2.0)	0.169 (4.3)	30	1.102 (28.0)	1.193 (30.3)	56	2.126 (54.0)	2.217 (56.3)
6	0.157 (4.0)	0.248 (6.3)	32	1.181 (30.0)	1.272 (32.3)	58	2.205 (56.0)	2.295 (58.3)
8	0.236 (6.0)	0.327 (8.3)	34	1.260 (32.0)	1.350 (34.3)	60	2.283 (58.0)	2.374 (60.3)
10	0.315 (8.0)	0.406 (10.3)	36	1.339 (34.0)	1.429 (36.3)	62	2.362 (60.0)	2.453 (62.3)
12	0.394 (10.0)	0.484 (12.3)	38	1.417 (36.0)	1.508 (38.3)	64	2.441 (62.0)	2.531 (64.3)
14	0.472 (12.0)	0.563 (14.3)	40	1.496 (38.0)	1.587 (40.3)	66	2.520 (64.0)	2.610 (66.3)
16	0.551 (14.0)	0.642 (16.3)	42	1.575 (40.0)	1.665 (42.3)	68	2.598 (66.0)	2.689 (68.3)
18	0.630 (16.0)	0.720 (18.3)	44	1.654 (42.0)	1.744 (44.3)	70	2.677 (68.0)	2.768 (70.3)
20	0.709 (18.0)	0.799 (20.3)	46	1.732 (44.0)	1.823 (46.3)	72	2.756 (70.0)	2.846 (72.3)
22	0.787 (20.0)	0.878 (22.3)	48	1.811 (46.0)	1.902 (48.3)	74	2.835 (72.0)	2.925 (74.3)
24	0.866 (22.0)	0.957 (24.3)	50	1.890 (48.0)	1.980 (50.3)	76	2.913 (74.0)	3.004 (76.3)
26	0.945 (24.0)	1.035 (26.3)	52	1.969 (50.0)	2.059 (52.3)	78	2.992 (76.0)	3.083 (78.3)
28	1.024 (26.0)	1.114 (28.3)	54	2.047 (52.0)	2.138 (54.3)	80	3.071 (78.0)	3.161 (80.3)



.079" (2.0mm) Center Headers

4522-N Series Dual Row Straight Header

- PBT, UL 94V-0
- Pin material and finished: Gold-flash brass
- .020" (0.5mm) straight square wire pins
- Various pin lengths available
- 4-80 circuits available
- Mates with 4521, 4621 series housings
- Applicable PC board thickness: .063" (1.6mm)

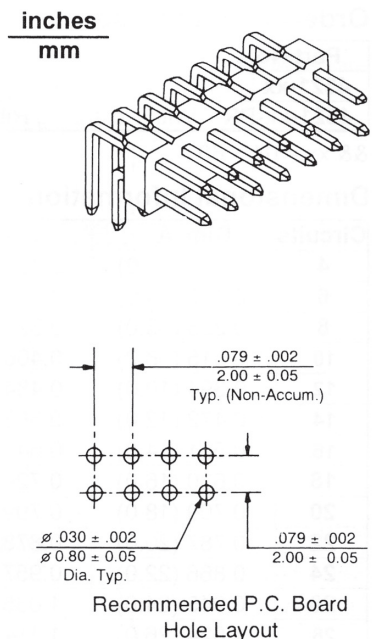
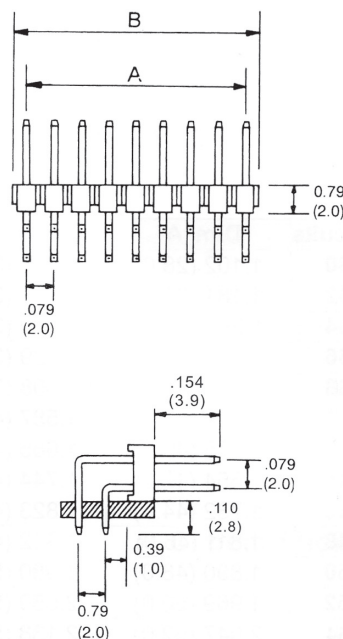


Dimensional Information - in. (mm) 4522/4523

Circuits	Dim. A	Dim. B	Circuits	Dim. A	Dim. B	Circuits	Dim. A	Dim. B
4	0.079 (2.0)	0.167 (4.0)	30	1.102 (28.0)	1.181 (30.0)	56	2.126 (54.0)	2.205 (56.0)
6	0.167 (4.0)	0.236 (6.0)	32	1.181 (30.0)	1.260 (32.0)	58	2.205 (56.0)	2.284 (58.0)
8	0.236 (6.0)	0.315 (8.0)	34	1.260 (32.0)	1.339 (34.0)	60	2.284 (58.0)	2.362 (60.0)
10	0.315 (8.0)	0.394 (10.0)	36	1.339 (34.0)	1.417 (36.0)	62	2.362 (60.0)	2.441 (62.0)
12	0.394 (10.0)	0.472 (12.0)	38	1.417 (36.0)	1.496 (38.0)	64	2.441 (62.0)	2.520 (64.0)
14	0.472 (12.0)	0.551 (14.0)	40	1.496 (38.0)	1.575 (40.0)	66	2.520 (64.0)	2.599 (66.0)
16	0.551 (14.0)	0.630 (16.0)	42	1.575 (40.0)	1.654 (42.0)	68	2.599 (66.0)	2.677 (68.0)
18	0.630 (16.0)	0.709 (18.0)	44	1.654 (42.0)	1.732 (44.0)	70	2.677 (68.0)	2.756 (70.0)
20	0.709 (18.0)	0.787 (20.0)	46	1.732 (44.0)	1.811 (46.0)	72	2.756 (70.0)	2.835 (72.0)
22	0.787 (20.0)	0.866 (22.0)	48	1.811 (46.0)	1.890 (48.0)	74	2.835 (72.0)	2.913 (74.0)
24	0.866 (22.0)	0.945 (24.0)	50	1.890 (48.0)	1.969 (50.0)	76	2.913 (74.0)	2.992 (76.0)
26	0.945 (24.0)	1.024 (26.0)	52	1.969 (50.0)	2.047 (52.0)	78	2.992 (76.0)	3.071 (78.0)
28	1.024 (26.0)	1.102 (28.0)	54	2.047 (52.0)	2.126 (54.0)	80	3.071 (78.0)	3.150 (80.0)

4523-N Series Dual Row Right Angle Header

- PBT, UL 94V-0
- Pin material and finished: Gold-flash brass
- .020" (0.5mm) right angle square wire pins
- Various pin lengths available
- 4-80 circuits available
- Mates with 4521, 4621 series housings
- Applicable PC board thickness: .063" (1.6mm)

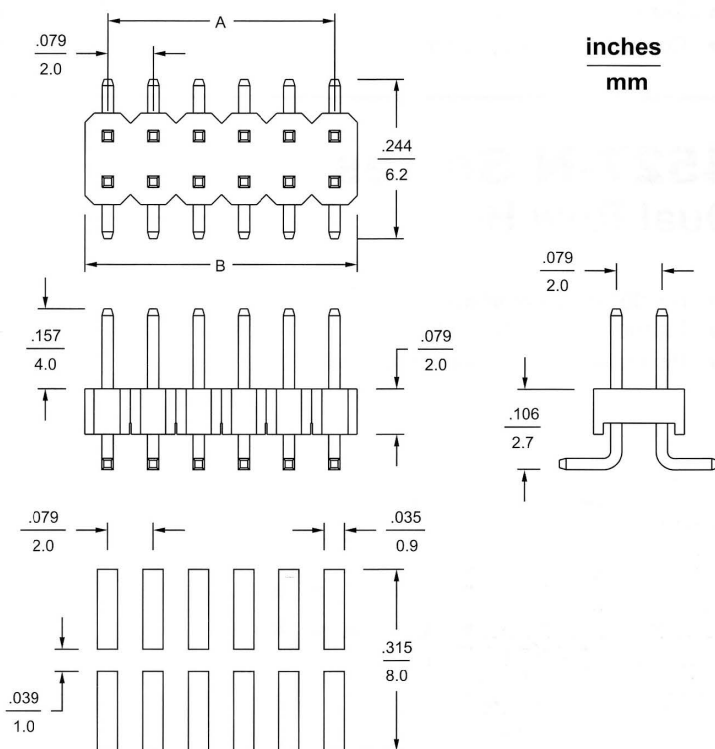




.079"(2.0mm) Dual Row Header

4524-N Series Vertical Header, SMT

- 4 ~ 80 circuits available
- Insulator: Nylon 6T
- Contact: Brass
- Gold flash plated over nickel
- .020"(0.5mm) square pin
- Various pin lengths available
- Mates with ALEX 4521, 4621 housings



Dimensional Information (mm)

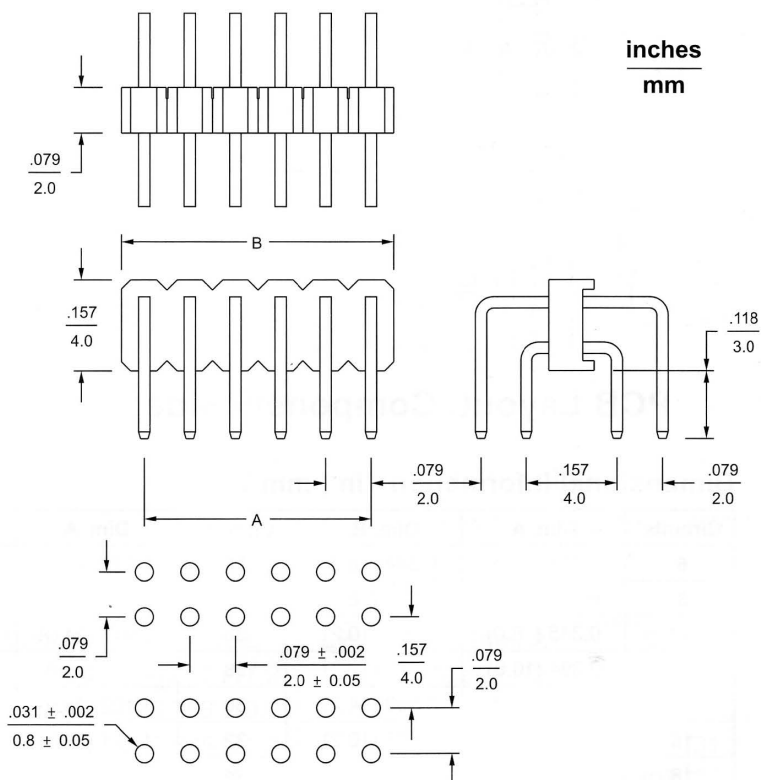
Part No.	Dim. A	Dim. B
4524-N	2.0 x (N/2 - 1)	N

&& N = 4 ~ 80

P. C. board hole dimensions

4525-N Series Right Angle Header

- 4 ~ 80 circuits available
- Insulator: PBT, UL 94V-0
- Contact: Brass
- Gold flash plated over nickel
- .020"(0.5mm) square pin
- Various pin lengths available



Dimensional Information (mm)

Part No.	Dim. A	Dim. B
4525-N	2x (N / 2 - 1)	N

&& N = 4 ~ 80

P. C. board hole dimensions



.079"(2.0mm) Dual Row Pin Header, SMT

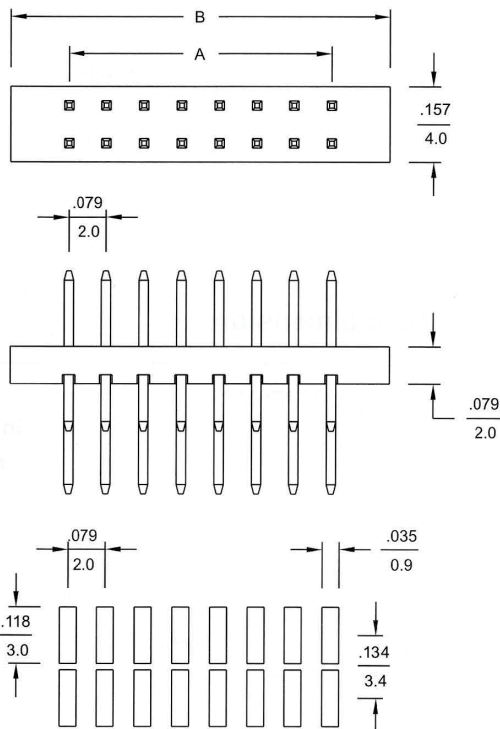
Specifications:

- Current rating: 2A
- Contact resistance: 20mΩ Max.
- Dielectric withstanding voltage: 1000V AC/minute
- Ambient temperature range: -40°C ~ 105°C

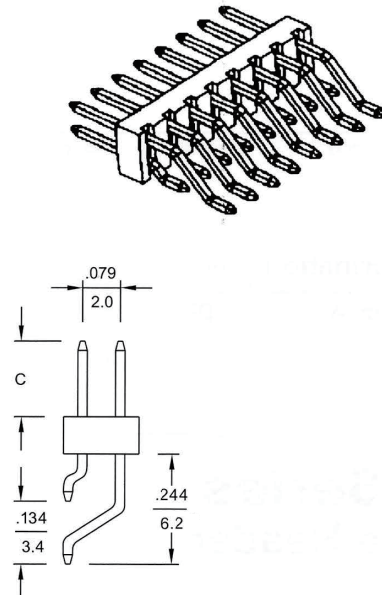
4527-N Series Dual Row Header, SMT

inches
mm

- 4 ~ 80 circuits available
- Plastic material: Nylon 6T
- Pin material: Gold-flash copper alloy
- .020"(0.5mm) square pin
- Pin length: Custom length available
- With cap



PCB Layout: Component side



Dimensional Information (mm)

Circuits	Dim . A	Dim . B
N	N - 2	N

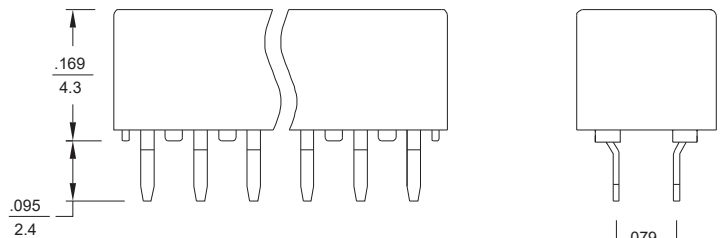
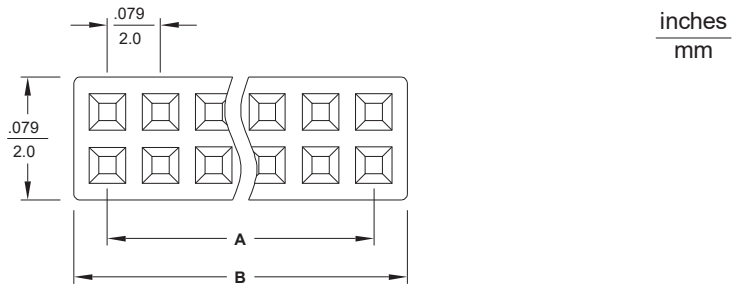
&& N = 4~80



.079"(2.0mm) Center Header

9910-N Series Dual Row Center Header

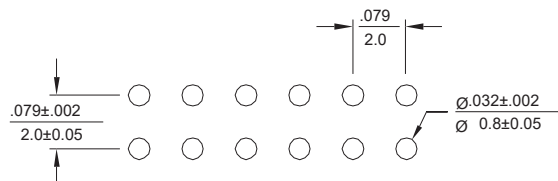
- 4 ~ 80 circuits available
- Material: Nylon 6T
- Contact material: Phosphor bronze
- Finished: Gold-flash
- Packing: Tray
- Color: Black



Dimensional Information (mm)

Circuits	Dim. A	Dim. B
N	N - 2	N + 0.6

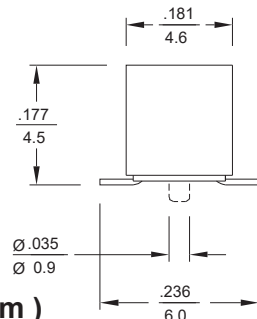
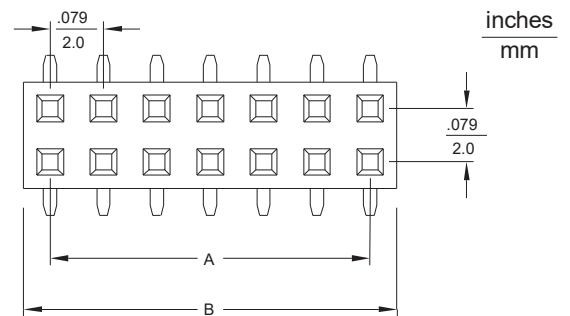
&& N = 4 ~ 80



Recommended P. C. B. hole dimension

9935-xx Series Dual Row Center Header, SMT

- 6 ~ 80 circuits available
- Material: Nylon 6T
- Contact material: Phosphor bronze
- With or with out post
- Packing: Tube or Tape & Reel



Dimensional Information (mm)

Circuits	Dim. A	Dim. B
N	N - 2	N

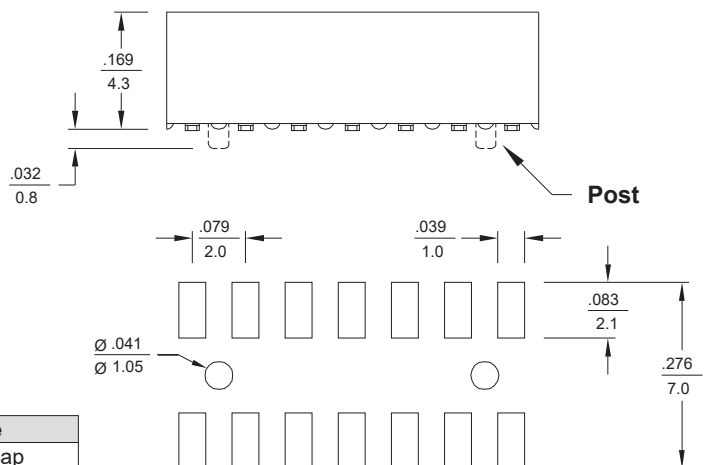
&& N = 6 ~ 80

Ordering Information

Part No.	Feature	Part No.	Feature
9935-xx-F-A	Without post, cap	9935-xx-F-A	Without post, cap
9935-xxP-F-A	With post, without cap	9935-xxP-F-A	With post, without cap

A=Packing 0: Tube (12 ~ 80P), 1: Tape & Reel (6 ~ 80P)

&& xx = 06 ~ 80



Recommended P. C. B. layout



.079"(2.0mm) Mini Jumper

Specifications:

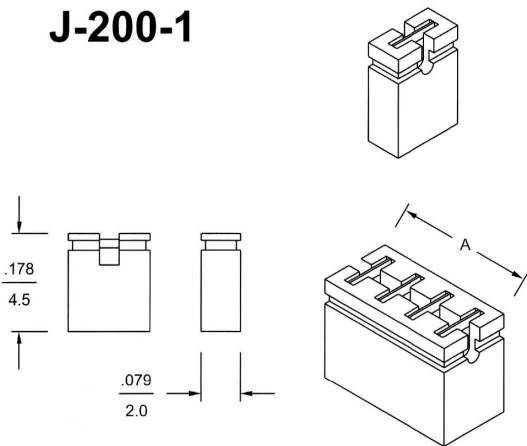
- Current rating: 1A
- Withstand voltage: AC 500V/minute
- Insulation resistance: 5000MΩ Min., 500V DC/minute
- Temperature range: -40°C ~ 105°C

J-200-x Series Mini Jumper

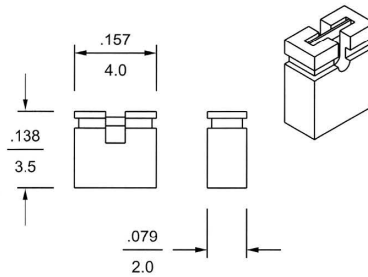
inches	mm
--------	----

- Contact material: Brass
- Insulator material: PBT, UL 94V-0
- Open type or close type
- Easiest way of programming by simply connecting contact points together
- Easy applied-No soldering.
- All side stackable.
- Low cost alternative to DIP switch.
- Mates with ALEX 4502, 4503, 4504, 4505, 4522, 4523, 4524 headers
- Standard color: Black

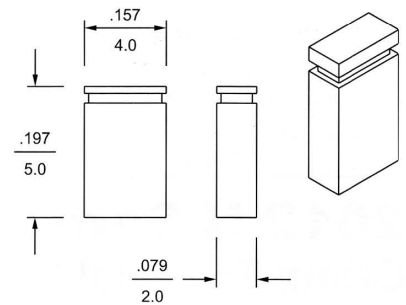
J-200-1



J-200-2



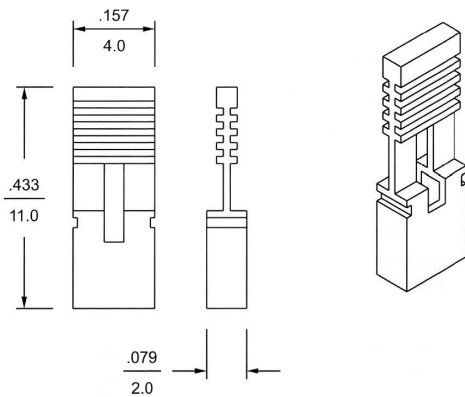
J-200-3



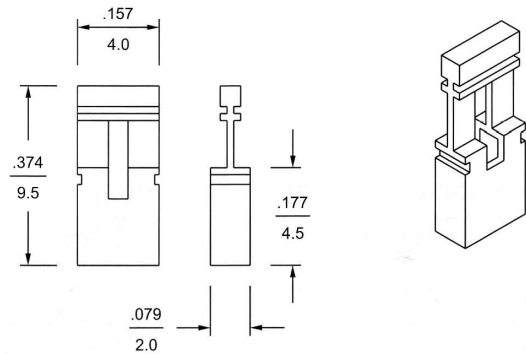
Note:

A = 2.0 x N
(N = 4 ~ 20)

J-200-4



J-200-5



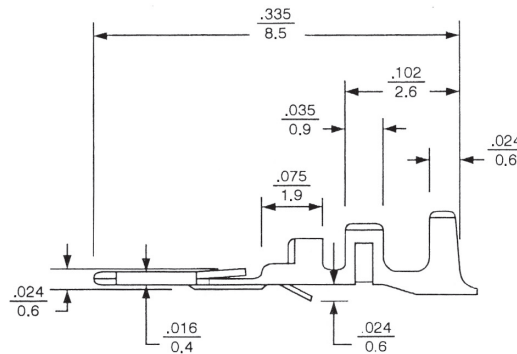
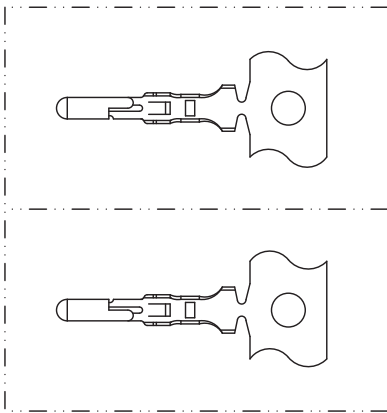
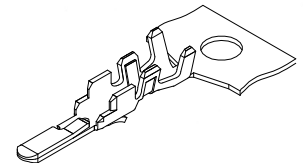
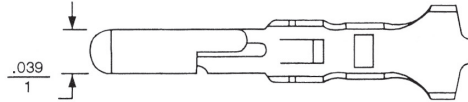


.079" (2.0mm) Center Wire-to-Wire System

9512T Series Male Crimp Terminal

- Low profile
- Tin plated phos. bronze
- Used in Alex 9516 series housing
- Wire range: AWG #24 ~ 28
- Insulation diameter: ϕ 1.15 mm max.
- Strip length: 1.7 ~ 2.3mm
- UL File No.: E114003

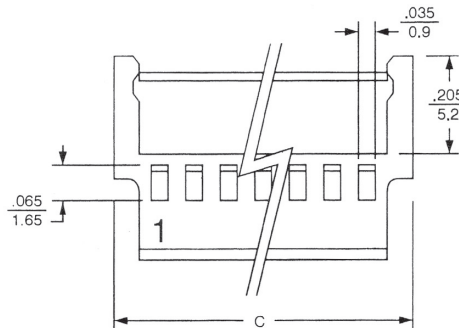
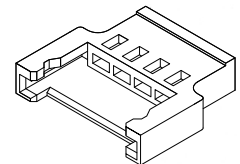
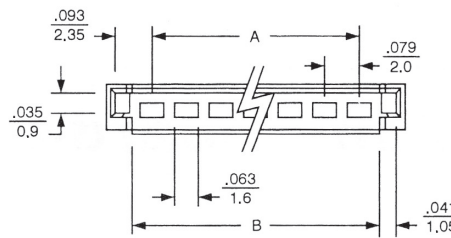
inches
mm



9516 - N Series Plug Housing

- 2 ~ 10 Circuits available
- Wire to wire application
- Low profile
- PBT , UL 94V-0
- Accepts Alex 9512T terminal
- Mate with Alex 9515 series housing
- UL File No.: E114003

inches
mm



Dimensional Information - in (mm)

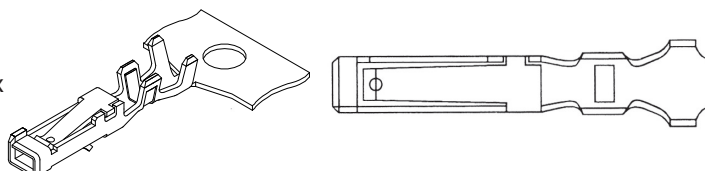
Circuits	Dim. A	Dim. B	Dim. C	Circuits	Dim. A	Dim. B	Dim. C
2	.079 (2.0)	.181 (4.6)	.315 (8)	7	.472 (12.0)	.575 (14.6)	.709 (18)
3	.157 (4.0)	.260 (6.6)	.394 (10)	8	.551 (14.0)	.654 (16.6)	.787 (20)
4	.236 (6.0)	.339 (8.6)	.472 (12)	9	.630 (16.0)	.732 (18.6)	.866 (22)
5	.315 (8.0)	.417 (10.6)	.551 (14)	10	.709 (18.0)	.811 (20.6)	.945 (24)
6	.394 (10.0)	.496 (12.6)	.630 (16)				



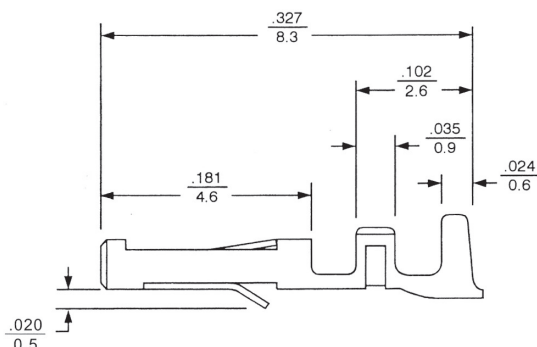
.079" (2.0mm) Center Wire-to-Wire System

9513T Series Female Crimp Terminal

- Low profile
- Tin plated phos. bronze
- Used in Alex 9515 series housing
- Wire range: AWG #24 ~ 28
- Insulation diameter: ϕ 1.15 mm max
- Strip length: 1.7 ~ 2.3mm
- UL File No.: E114003

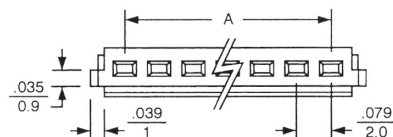


inches
mm

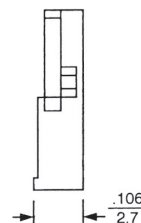
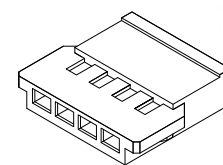
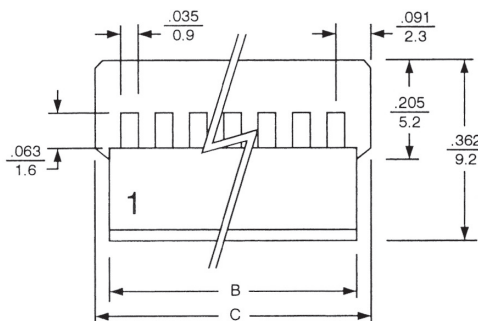


9515 - N Series Receptacle Housing

- 2 ~ 10 Circuits available
- Wire to wire application
- Low profile
- PBT, UL 94V-0
- Accepts Alex 9513T terminal
- Mate with Alex 9516 series housing
- UL File No.: E114003



inches
mm



Dimensional Information - in (mm)

Circuits	Dim. A	Dim. B	Dim. C	Circuits	Dim. A	Dim. B	Dim. C
2	.079 (2.0)	.177(4.5)	.256(6.5)	7	.472 (12.0)	.571(14.5)	.650(16.5)
3	.157 (4.0)	.256(6.5)	.335(8.5)	8	.551 (14.0)	.650(16.5)	.728(18.5)
4	.236 (6.0)	.335(8.5)	.413(10.5)	9	.630 (16.0)	.728(18.5)	.807(20.5)
5	.315 (8.0)	.413(10.5)	.492(12.5)	10	.709 (18.0)	.807(20.5)	.886(22.5)
6	.394 (10.0)	.492(12.5)	.571(14.5)				



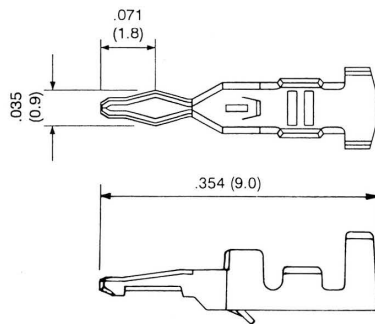
.079" (2.0mm) Board-In Type Connectors

Specifications

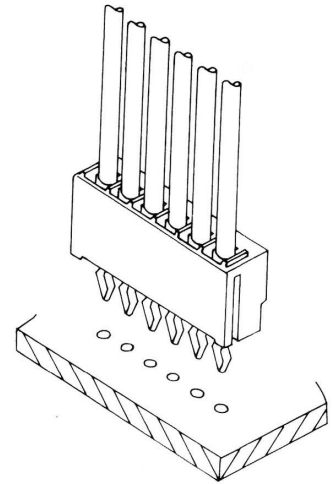
- Current rating: 2A AC, DC
- Voltage rating: 250V AC, DC
- Temperature range: -25°C ~ +85°C (including temperature rise)
- Insulation resistance: 1,000MΩ min.
- Withstand voltage: 800V AC/minute
- Applicable wires: AWG #24 ~ #30
- Applicable PC board thickness: .063" (1.6mm)
- UL File No.: E114003

920T Crimp Terminal

- Used in 9020 series housing
- Applicable wire: AWG #24 ~ #30
- Material: Tin-plated brass
- Insulation O.D.: .035" (0.9mm) ~ .051" (1.3mm)

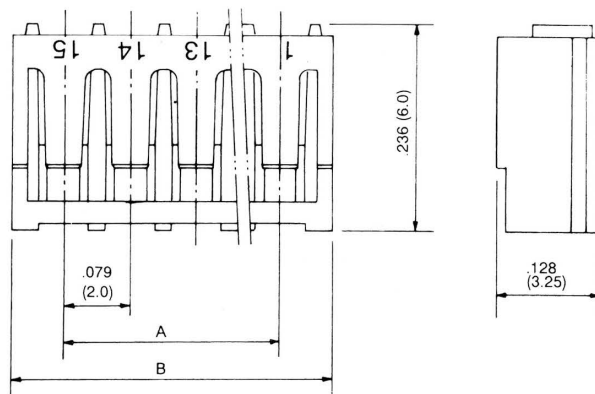


inches
mm

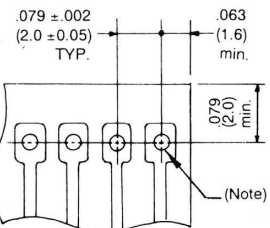
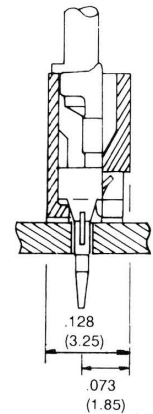


9020-N Series Crimp Terminal Housing

- Material: 94V-0 nylon
- 2-15 circuits available
- Standard color: White
- Accepts 920T terminal



inches
mm



Dimensional Information - in. (mm)

Circuits	Dim. A	Dim. B	Circuits	Dim. A	Dim. B
2	.079 (2.0)	.205 (5.2)	9	.630 (16.0)	.756 (19.2)
3	.157 (4.0)	.283 (7.2)	10	.709 (18.0)	.835 (21.2)
4	.236 (6.0)	.362 (9.2)	11	.787 (20.0)	.913 (23.2)
5	.315 (8.0)	.441 (11.2)	12	.866 (22.0)	.992 (25.2)
6	.394 (10.0)	.520 (13.2)	13	.945 (24.0)	1.071 (27.2)
7	.472 (12.0)	.598 (15.2)	14	1.024 (26.0)	1.150 (29.2)
8	.551 (14.0)	.677 (17.2)	15	1.102 (28.0)	1.228 (31.2)

Note:

- 2~7P: $\varnothing .030 \pm .002$ dia. ($\varnothing 0.75 \pm 0.05$ dia.)
- 8~15P: $\varnothing .031 \pm .002$ dia. ($\varnothing 0.8 \pm 0.05$ dia.)



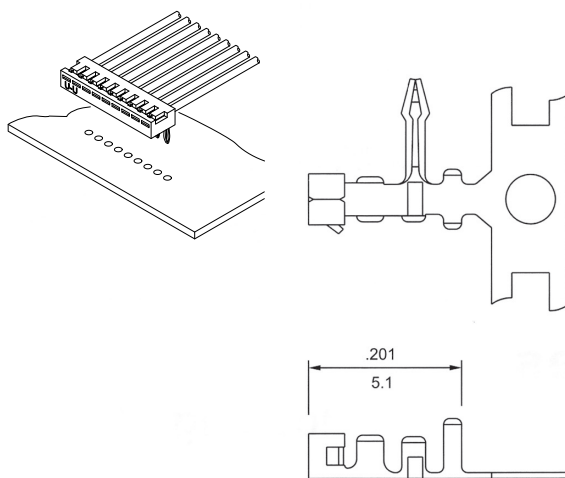
.079"(2.0mm) Board-In Type Connectors

Specifications:

- Current rating: 2A AC, DC
- Voltage rating: 250V AC, DC
- Withstanding voltage: 800V AC/minute
- Insulation resistance: 1000MΩ min.
- Temperature rise: -25 °C ~ 85 °C max. (including temperature rise)
- Applicable P.C. board thickness: .063"(1.6mm)

921T Series Crimp Terminal

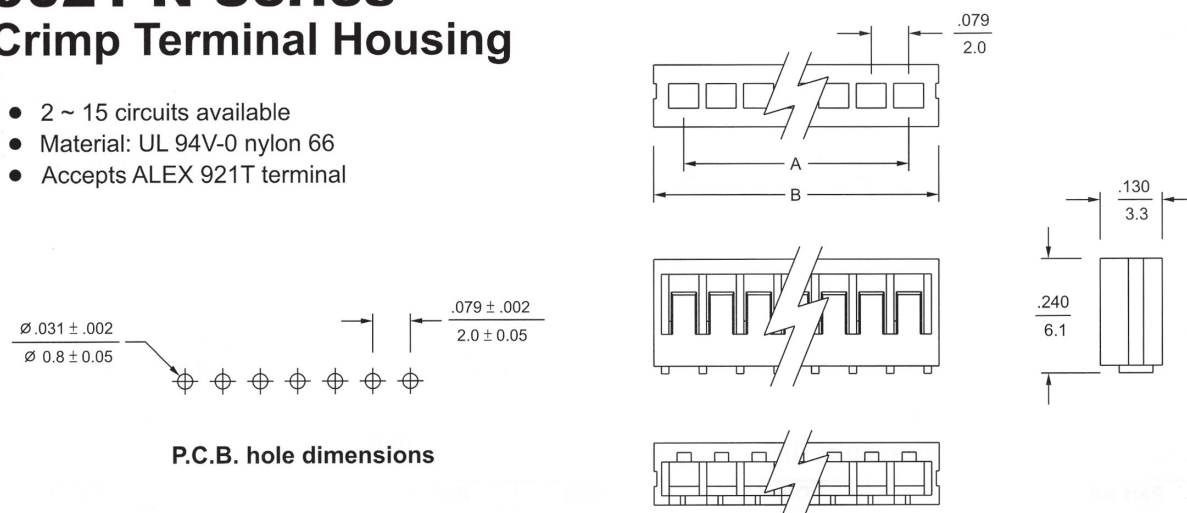
- Material: Brass
- Finished: Tin-plated
- Used in ALEX 9021-N series housing
- Wire range: AWG #26 ~ #30
- Thickness: 0.2mm



inches
mm

9021-N Series Crimp Terminal Housing

- 2 ~ 15 circuits available
- Material: UL 94V-0 nylon 66
- Accepts ALEX 921T terminal



inches
mm

P.C.B. hole dimensions

Dimensional Information - in (mm)

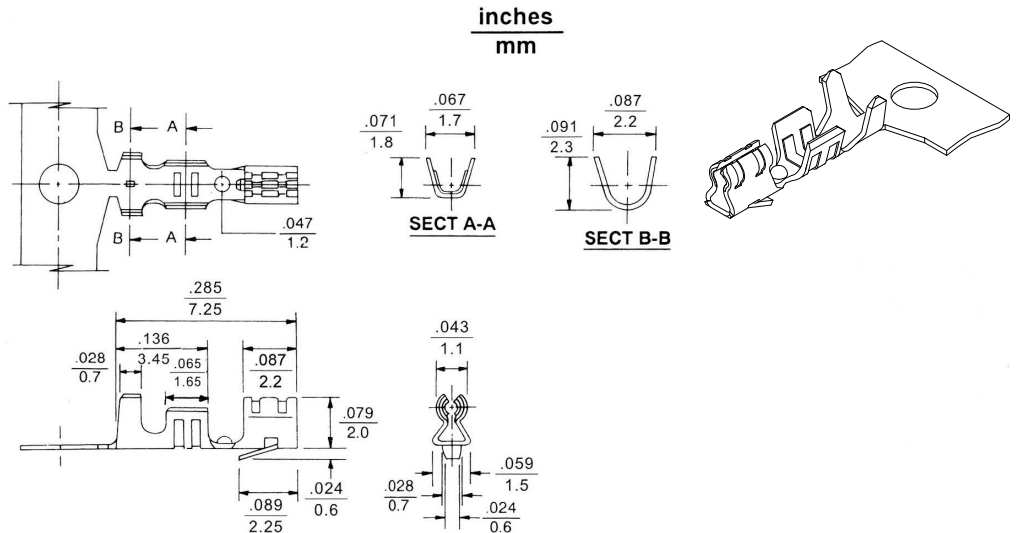
Circuits	Dim. A	Dim. B	Circuits	Dim. A	Dim. B	Circuits	Dim. A	Dim. B
2	0.079 (2.0)	0.205 (5.2)	7	0.472 (12.0)	0.598 (15.2)	12	0.866 (22.0)	0.992 (25.2)
3	0.157 (4.0)	0.283 (7.2)	8	0.551 (14.0)	0.677 (17.2)	13	0.945 (24.0)	1.071 (27.2)
4	0.236 (6.0)	0.362 (9.2)	9	0.630 (16.0)	0.756 (19.2)	14	1.024 (26.0)	1.150 (29.2)
5	0.315 (8.0)	0.441 (11.2)	10	0.709 (18.0)	0.835 (21.2)	15	1.102 (28.0)	1.228 (31.2)
6	0.394 (10.0)	0.520 (13.2)	11	0.787 (20.0)	0.913 (23.2)			



.098" (2.5mm) Crimp Housing

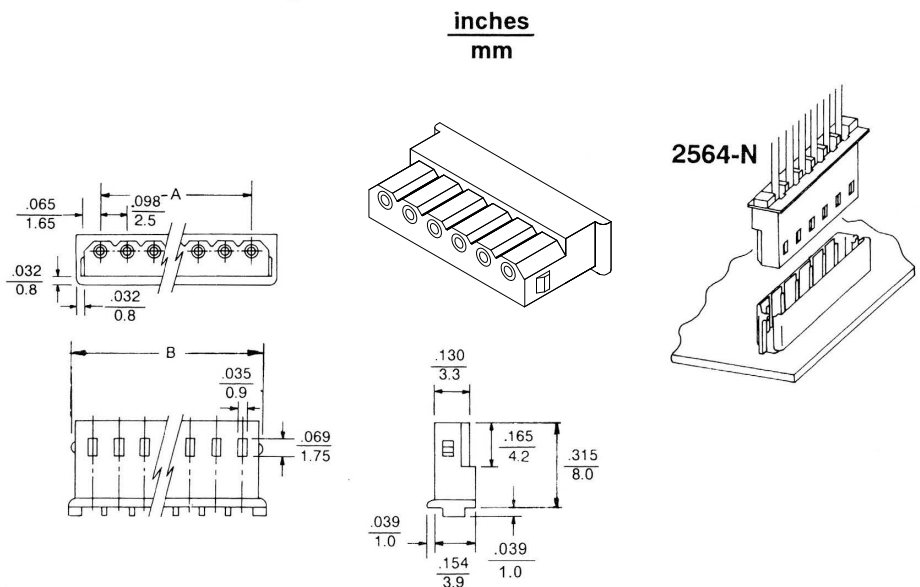
25T Series Crimp Terminal

- Very low profile
- Material: Pre-tinned phosphor bronze
- Used in 2564 housing
- Anti-fishhooking design
- Box protects pin contact area from contamination during handling
- Wire range AWG #22 ~ #28
- Insulation diameter ϕ 1.9mm (.075") max
- UL File No.: E 114003



2564-N Series Shrouded Crimp Terminal Housing

- Very low profile
- 2-20 Circuits
- UL 94V-0 nylon 6/6
- Accepts Alex 25T terminal
- Mates with 2567-NA, 2568-NA wafers polarized
- Molded-in pull tabs
- Friction lock
- UL File No.: E 114003



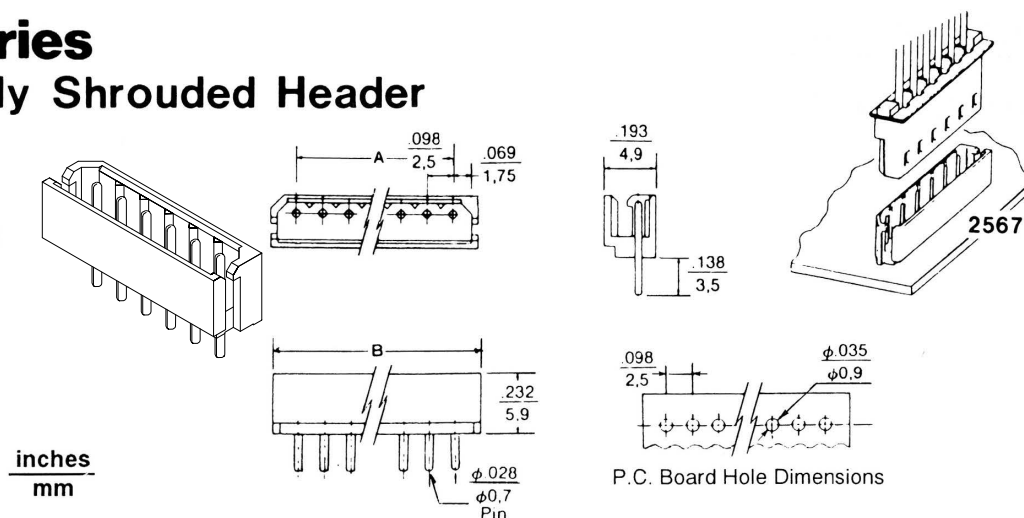
Dimensional & Ordering Information-mm (in)

Circuits	Part No.	Dim. A	Dim. B	Circuits	Part No.	Dim. A	Dim. B
2	2564-02	2.5 (.098)	6.4 (.254)	12	2564-12	27.5 (1.083)	31.4 (1.236)
3	2564-03	5.0 (.197)	8.9 (.350)	13	2564-13	30.0 (1.181)	33.9 (1.335)
4	2564-04	7.5 (.295)	11.4 (.449)	14	2564-14	32.5 (1.280)	36.4 (1.433)
5	2564-05	10.0 (.394)	13.9 (.547)	15	2564-15	35.0 (1.378)	38.9 (1.532)
6	2564-06	12.5 (.492)	16.4 (.646)	16	2564-16	37.5 (1.476)	41.4 (1.630)
7	2564-07	15.0 (.591)	18.9 (.744)	17	2564-17	40.0 (1.574)	43.9 (1.728)
8	2564-08	17.5 (.689)	21.4 (.843)	18	2564-18	42.5 (1.672)	46.4 (1.827)
9	2564-09	20.0 (.787)	23.9 (.941)	19	2564-19	45.0 (1.770)	48.9 (1.925)
10	2564-10	22.5 (.886)	26.4 (1.039)	20	2564-20	47.5 (1.868)	51.4 (2.024)
11	2564-11	25.0 (.984)	28.9 (1.138)				

.098" (2.5mm) Headers

2567-NA Series Straight Pin Fully Shrouded Header

- 2-20 Circuits
- UL 94V-0 nylon 6/6
- Tin plated brass pins
- .027" (0,7mm) straight round pins
- Polarized
- Mates with 2564 series housing
- Friction lock
- UL File No.: E 114003

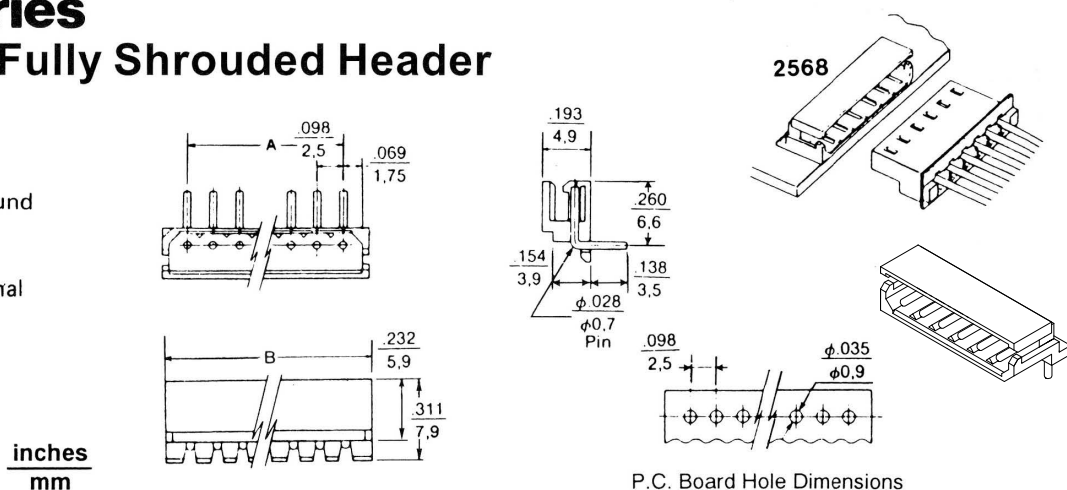


Dimensional & Ordering Information-mm (in)

Circuit	Part No.	Dim. A	Dim. B	Circuits	Part No.	Dim. A	Dim. B
2	2567-02	2.5 (0.98)	7.5 (0.295)	12	2567-12	27.5 (1.083)	32.5 (1.280)
3	2567-03	5.0 (1.97)	10.0 (0.394)	13	2567-13	30.0 (1.181)	35.0 (1.378)
4	2567-04	7.5 (2.95)	12.5 (0.492)	14	2567-14	32.5 (1.280)	37.5 (1.476)
5	2567-05	10.0 (3.94)	15.0 (0.591)	15	2567-15	35.0 (1.378)	40.0 (1.575)
6	2567-06	12.5 (4.92)	17.5 (0.689)	16	2567-16	37.5 (1.476)	42.5 (1.673)
7	2567-07	15.0 (5.91)	20.0 (0.787)	17	2567-17	40.0 (1.575)	45.0 (1.772)
8	2567-08	17.5 (6.89)	22.5 (0.886)	18	2567-18	42.5 (1.673)	47.5 (1.870)
9	2567-09	20.0 (7.87)	25.0 (0.984)	19	2567-19	45.0 (1.772)	50.0 (1.969)
10	2567-10	22.5 (8.86)	27.5 (1.083)	20	2567-20	47.5 (1.870)	52.5 (2.067)
11	2567-11	25.0 (9.84)	30.0 (1.181)				

2568-NA Series Right Angle Pin Fully Shrouded Header

- 2-20 Circuits
- UL 94V-0 nylon 6/6
- Tin plated brass pins
- .027" (0,7mm) right angle round pins
- Polarized
- Mates with 2564 crimp terminal housing
- Friction lock
- UL File No.: E 114003



Dimensional & Ordering Information-mm (in)

Circuits	Part No.	Dim. A	Dim. B	Circuits	Part No.	Dim. A	Dim. B
2	2568-02	2.5 (0.98)	7.5 (0.295)	12	2568-12	27.5 (1.083)	32.5 (1.280)
3	2568-03	5.0 (1.97)	10.0 (0.394)	13	2568-13	30.0 (1.181)	35.0 (1.378)
4	2568-04	7.5 (2.95)	12.5 (0.492)	14	2568-14	32.5 (1.280)	37.5 (1.476)
5	2568-05	10.0 (3.94)	15.0 (0.591)	15	2568-15	35.0 (1.378)	40.0 (1.575)
6	2568-06	12.5 (4.92)	17.5 (0.689)	16	2568-16	37.5 (1.476)	42.5 (1.673)
7	2568-07	15.0 (5.91)	20.0 (0.787)	17	2568-17	40.0 (1.575)	45.0 (1.772)
8	2568-08	17.5 (6.89)	22.5 (0.886)	18	2568-18	42.5 (1.673)	47.5 (1.870)
9	2568-09	20.0 (7.87)	25.0 (0.984)	19	2568-19	45.0 (1.772)	50.0 (1.969)
10	2568-10	22.5 (8.86)	27.5 (1.083)	20	2568-20	47.5 (1.870)	52.5 (2.067)
11	2568-11	25.0 (9.84)	30.0 (1.181)				

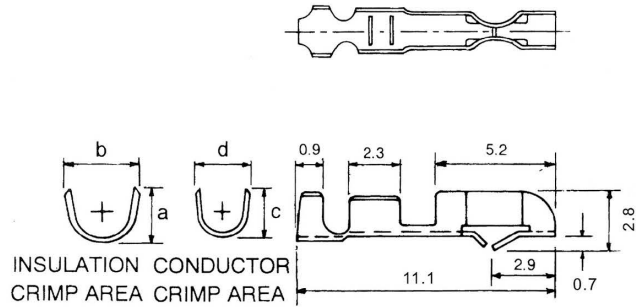


Disk Drive Power Connection System

26T Series Crimp Terminal

inches
mm

- Used in 1822 series housing
- Applicable wires: AWG #26 ~ #20
- Insulation O.D.: .071" (1.8mm) max.
- UL File No.: E114003



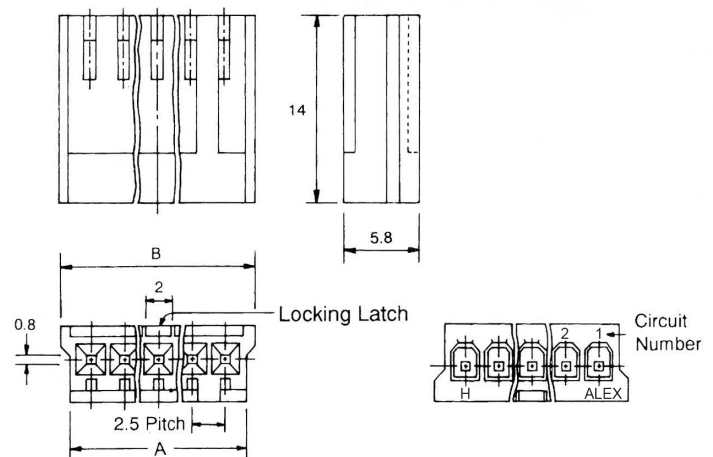
Dimensional Information:

Part No	Dimension (mm)				Wire		Terminal			Q'ty/Reel
	a	b	c	d	Accommodation (# AWG)	Insulation (O.D. MAX)	Thickness (mm)	Material	Finish	
26T-6202	3.2	2.6	1.7	2.0	#24 ~ #20	ϕ 1.8mm	0.2	Brass	Tin-plated	8,000
26T-6502								Phosphor bronze		
26T-1202	2.6	2.3	1.7	2.0	#26 ~ #22	ϕ 1.58mm		Brass		12,000
26T-1502								Phosphor bronze		

1822-N Series Housing

inches
mm

- Material: 94V-0 nylon 66
- 2-12 circuits available
- Standard color: White
- Accepts 26T series terminal
- Mates with 1823, 1824 series headers
- UL File No.: E114003



Dimensional Information - in. (mm)

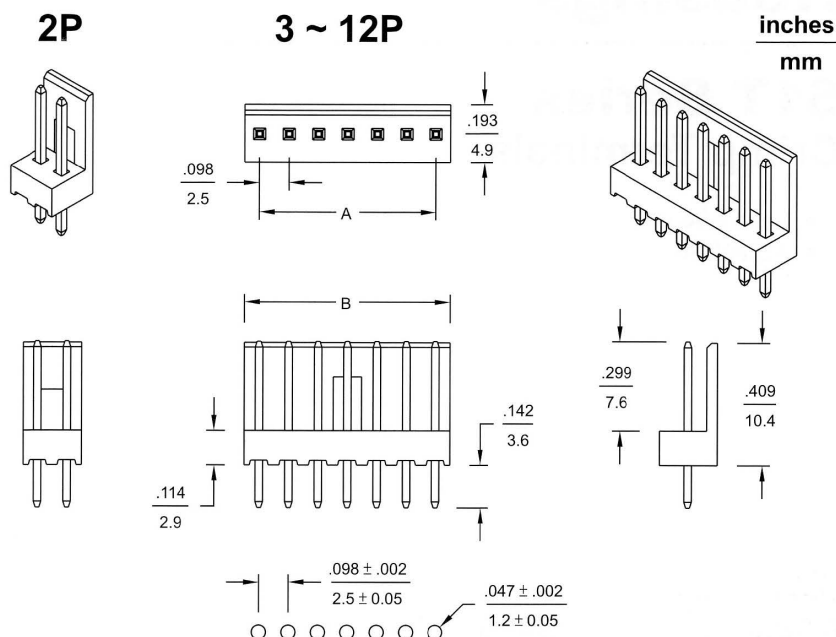
Circuits	Dim. A	Dim. B	Circuits	Dim. A	Dim. B
2	.220 (5.6)	.272 (6.9)	8	.811 (20.6)	.862 (21.9)
3	.319 (8.1)	.370 (9.4)	9	.909 (23.1)	.961 (24.4)
4	.417 (10.6)	.469 (11.9)	10	1.008 (25.6)	1.079 (26.9)
5	.516 (13.1)	.567 (14.4)	11	1.106 (28.1)	1.157 (29.4)
6	.614 (15.6)	.665 (16.9)	12	1.205 (30.6)	1.256 (31.9)
7	.713 (18.1)	.764 (19.4)			



.098" (2.5mm) Center Header

1823-N Series Vertical Header

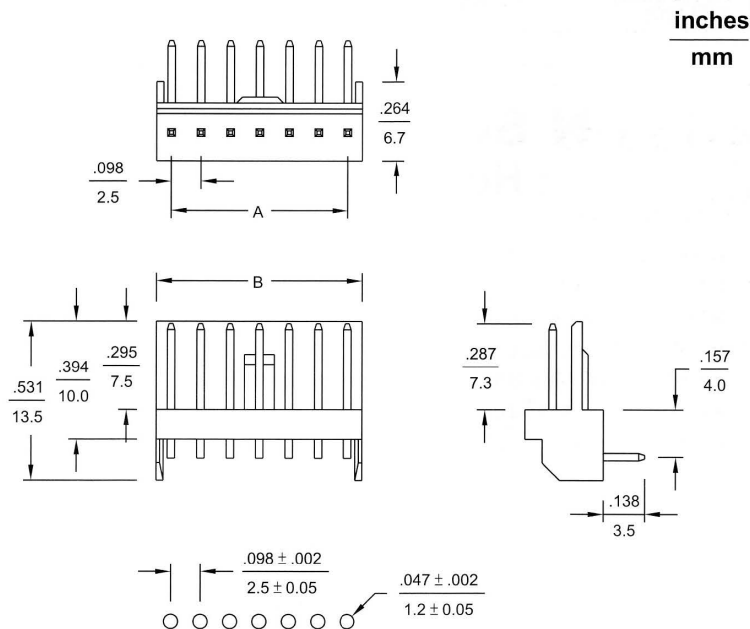
- 2 ~ 12 circuits available
- Material: UL 94V-0 nylon 66
- .025" (0.64mm) square pin
- Tin-plated brass pin.
Plating options available
- Various pin lengths available
- Mates with ALEX 1822-N housing
- Friction lock
- UL file No.: E114003



P. C. board hole dimensions

1824-N Series Right Angle Header

- 2 ~ 12 circuits available
- Material: UL 94V-0 nylon 66
- .025" (0.64mm) square pin
- Tin-plated brass pin.
Plating options available
- Various pin lengths available
- Mates with ALEX 1822-N housing
- Friction lock
- UL file No.: E114003



P. C. board hole dimensions

Dimensional Information - in (mm) 1823 / 1824

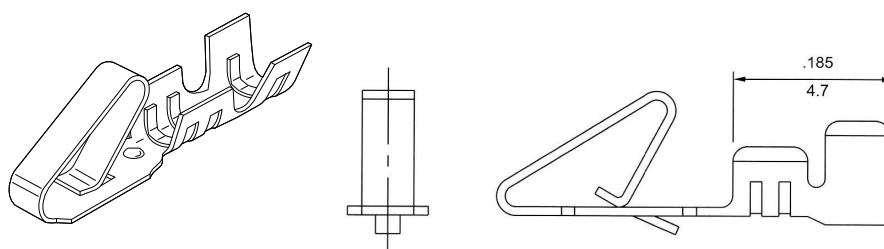
Circuits	Dim. A	Dim. B	Circuits	Dim. A	Dim. B	Circuits	Dim. A	Dim. B
2	0.098 (2.5)	0.197 (5.0)	6	0.492 (12.5)	0.591 (15.0)	10	0.886 (22.5)	0.984 (25.0)
3	0.197 (5.0)	0.295 (7.5)	7	0.591 (15.0)	0.689 (17.5)	11	0.984 (25.0)	1.083 (27.5)
4	0.295 (7.5)	0.394 (10.0)	8	0.689 (17.5)	0.787 (20.0)	12	1.083 (27.5)	1.181 (30.0)
5	0.394 (10.0)	0.492 (12.5)	9	0.787 (20.0)	0.886 (22.5)			



.098"(2.5mm) Center Crimp Terminal Housings

51T Series Crimp Terminals

- Used in ALEX 2510, 8811 series housings
- Accepts AWG #22 ~ #26 wire range



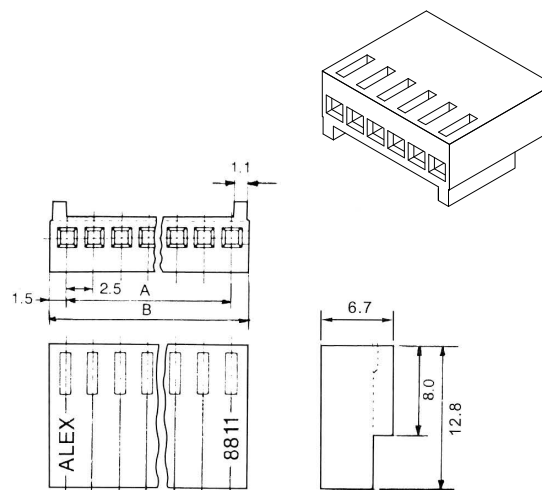
inches
mm

Ordering Information

Part No.	Material	Thickness	Finish	Type
51T-0202	Brass	0.2mm	Tin-plated	Loose
51T-1202	Brass			End-Chain
51T-1502	Phosphor bronze			Middle-Chain
51T-2202	Brass			

8811-N Series Polarizing Housing

- Accepts Alex 51T terminal
- 94V-0 Nylon 66
- Molded friction lock
- 2-20 Circuits available
- Mates with Alex 8812, 8813 series headers
- UL file No.: E 114003



Dimensional Information -in. (mm)

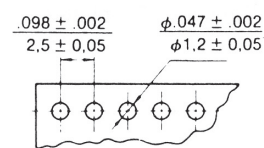
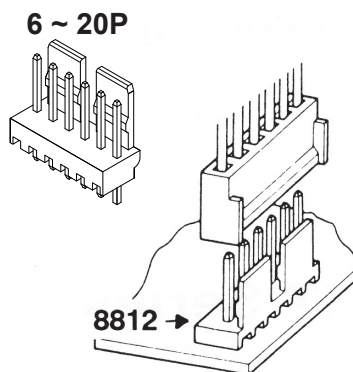
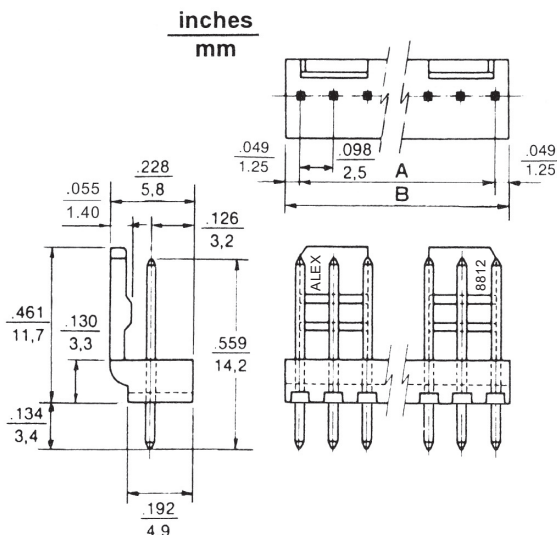
Circuits	Dim. A	Dim. B	Circuits	Dim. A	Dim. B	Circuits	Dim. A	Dim. B
2	0.098 (2.5)	0.217 (5.5)	9	0.787 (20.0)	0.906 (23.0)	16	1.477 (37.5)	1.595 (40.5)
3	0.197 (5.0)	0.315 (8.0)	10	0.886 (22.5)	1.004 (25.5)	17	1.575 (40.0)	1.693 (43.0)
4	0.295 (7.5)	0.413 (10.5)	11	0.984 (25.0)	1.102 (28.0)	18	1.674 (42.5)	1.791 (45.5)
5	0.394 (10.0)	0.512 (13.0)	12	1.083 (27.5)	1.201 (30.5)	19	1.772 (45.0)	1.890 (48.0)
6	0.492 (12.5)	0.611 (15.5)	13	1.181 (30.0)	1.299 (33.0)	20	1.870 (47.5)	1.988 (50.5)
7	0.591 (15.0)	0.709 (18.0)	14	1.280 (32.5)	1.398 (35.5)			
8	0.689 (17.5)	0.807 (20.5)	15	1.378 (35.0)	1.496 (38.0)			



.098" (2,5 mm) Center Headers

8812 -N Series Straight Pin Friction Lock Header

- 2-20 Circuits
- .025" (0,64mm) straight square wire pins
- Friction lock
- Various pin lengths available
- 94V-0 Nylon 66
- Mates with 8811, 2502 housings
- Tin plated brass pins. Plating options available
- UL File No.: E 114003



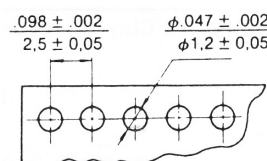
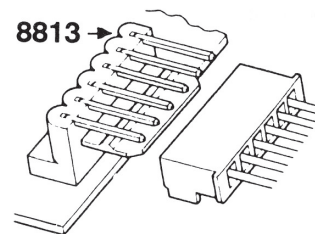
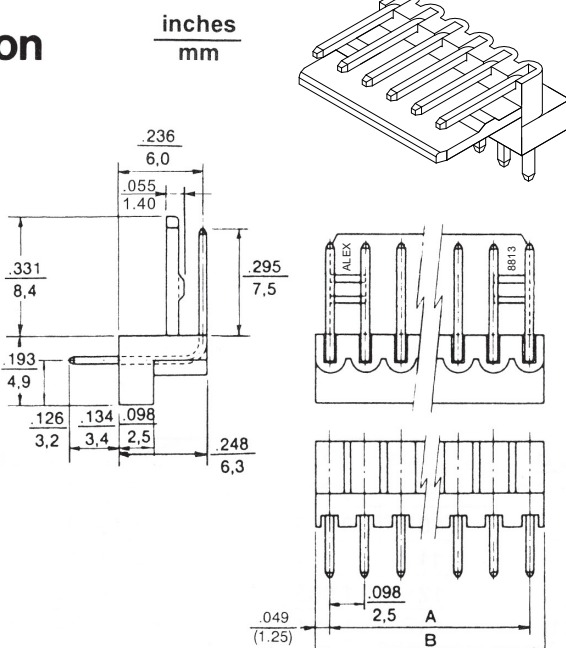
P.C. Board Hole Dimensions

Dimensional Information - in. (mm) 8812/8813

Circuits	Dim. A	Dim. B	Circuits	Dim. A	Dim. B	Circuits	Dim. A	Dim. B
2	0.098 (2.5)	0.197 (5.0)	9	0.787 (20.0)	0.886 (22.5)	16	1.480 (37.5)	1.578 (40.0)
3	0.197 (5.0)	0.295 (7.5)	10	0.886 (22.5)	0.984 (25.0)	17	1.578 (40.0)	1.680 (42.5)
4	0.295 (7.5)	0.394 (10.0)	11	0.984 (25.0)	1.083 (27.5)	18	1.680 (42.5)	1.778 (45.0)
5	0.394 (10.0)	0.492 (12.5)	12	1.083 (27.5)	1.181 (30.0)	19	1.778 (45.0)	1.880 (47.5)
6	0.492 (12.5)	0.591 (15.0)	13	1.181 (30.0)	1.280 (32.5)	20	1.880 (47.5)	1.969 (50.0)
7	0.591 (15.0)	0.689 (17.5)	14	1.280 (32.5)	1.378 (35.0)			
8	0.689 (17.5)	0.787 (20.0)	15	1.378 (35.0)	1.480 (37.5)			

8813 -N Series Right Angle Pin Friction Lock Header

- 2-20 Circuits available
- .025" (0,64mm) right angle square wire pins
- Friction lock
- Various pin lengths available
- 94V-0 Nylon 66
- Mates with 8811, 2502 housings
- Tin plated brass pins. Plating options available
- UL File No.: E 114003



P.C. Board Hole Dimensions



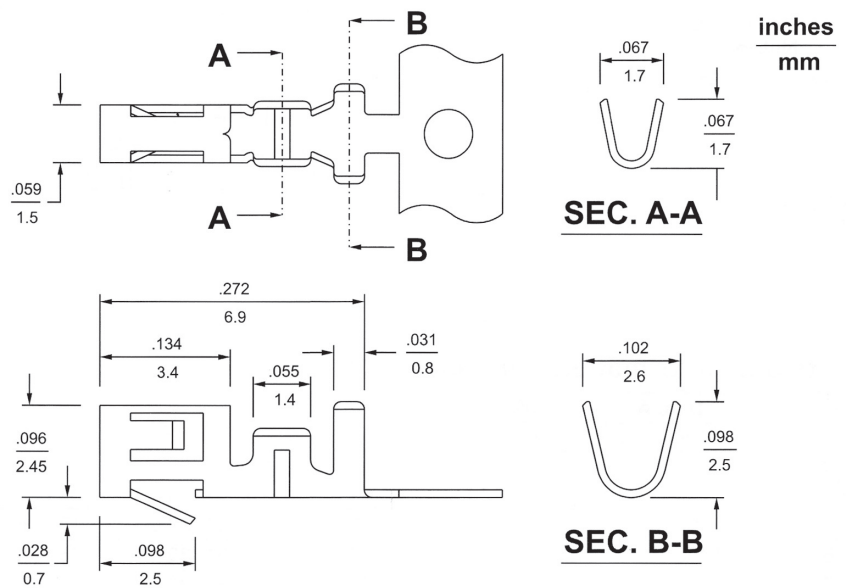
.098" (2.5mm) Wire-to-Board Connector

Specifications:

- Current rating: 2.5A AC, DC
- Voltage rating: 250V AC, DC
- Dielectric withstanding voltage: 800V AC/minute
- Insulation resistance: 1000MΩ Min.
- Contact resistance: 20mΩ Max.
- Ambient temperature range: -25 °C ~ 85 °C (including temperature rise)

53T Series Crimp Terminal

- Finished: Tin-plated
- Used in ALEX 2503-N housing
- Wire range: #22 ~ #28 AWG
- Thickness: 0.2mm

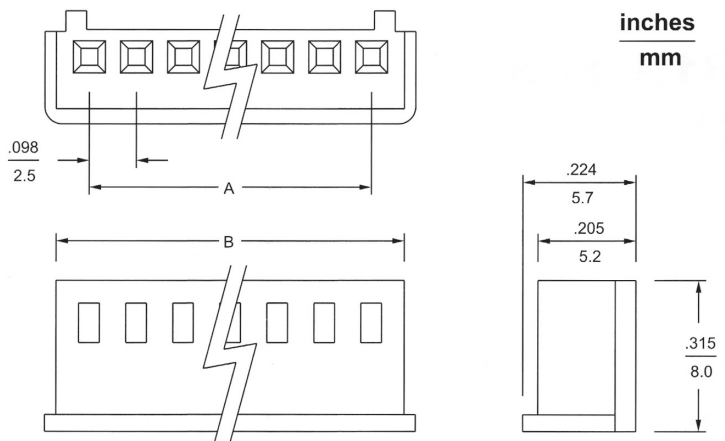


Ordering Information

Part No.	Material
53T	Brass
53TP	Phosphor bronze

2503-N Series Crimp Terminal Housing

- 2 ~ 20 circuits available
- Material: UL 94V-0 nylon 66
- Accepts ALEX 53T series terminal
- Mates with ALEX 2504-N, 2505-N headers



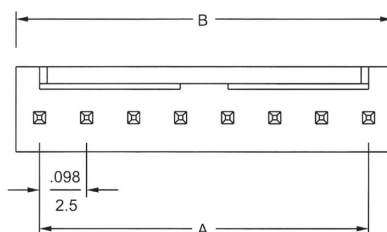
Dimensional Information - in (mm)

Circuits	Dim. A	Dim. B	Circuits	Dim. A	Dim. B	Circuits	Dim. A	Dim. B
2	0.098 (2.5)	0.236 (6.0)	9	0.787 (20.0)	0.925 (23.5)	16	1.476 (37.5)	1.614 (41.0)
3	0.197 (5.0)	0.335 (8.5)	10	0.886 (22.5)	1.024 (26.0)	17	1.575 (40.0)	1.713 (43.5)
4	0.295 (7.5)	0.433 (11.0)	11	0.984 (25.0)	1.122 (28.5)	18	1.673 (42.5)	1.811 (46.0)
5	0.394 (10.0)	0.531 (13.5)	12	1.083 (27.5)	1.220 (31.0)	19	1.772 (45.0)	1.909 (48.5)
6	0.492 (12.5)	0.630 (16.0)	13	1.181 (30.0)	1.319 (33.5)	20	1.870 (47.5)	2.008 (51.0)
7	0.591 (15.0)	0.728 (18.5)	14	1.260 (32.5)	1.417 (36.0)			
8	0.689 (17.5)	0.827 (21.0)	15	1.378 (35.0)	1.516 (38.5)			

.098"(2.5mm) Wire-to-Board Connector

2504-N Series Vertical Header

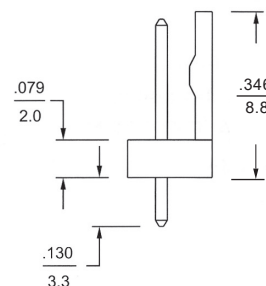
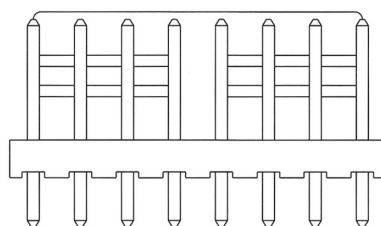
- 2 ~ 20 circuits available
- Material: UL 94V-0 nylon 66
- Tin-plated brass pin
- .025"(0.64mm) square pin
- Mates with ALEX 2503-N housing



inches
mm

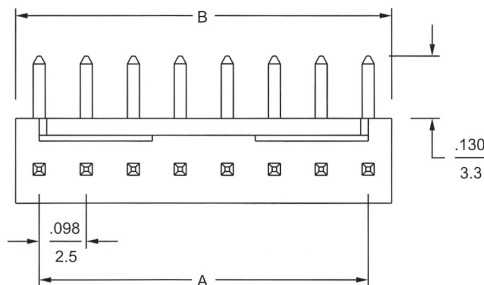


P. C. board hole dimensions



2505-N Series Right Angle Header

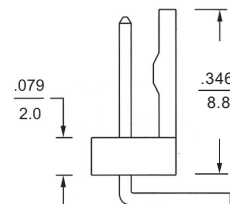
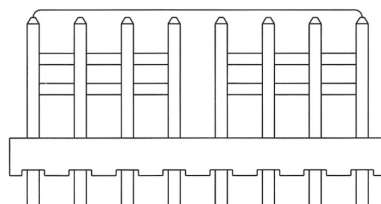
- 2 ~ 20 circuits available
- Material: UL 94V-0 nylon 66
- Tin-plated brass pin
- .025"(0.64mm) square pin
- Mates with ALEX 2503-N housing



inches
mm



P. C. board hole dimensions



Dimensional Information - in (mm) 2504 / 2505

Circuits	Dim. A	Dim. B	Circuits	Dim. A	Dim. B	Circuits	Dim. A	Dim. B
2	0.098 (2.5)	0.197 (5.0)	9	0.787 (20.0)	0.886 (22.5)	16	1.476 (37.5)	1.575 (40.0)
3	0.197 (5.0)	0.295 (7.5)	10	0.886 (22.5)	0.984 (25.0)	17	1.575 (40.0)	1.673 (42.5)
4	0.295 (7.5)	0.394 (10.0)	11	0.984 (25.0)	1.083 (27.5)	18	1.673 (42.5)	1.772 (45.0)
5	0.394 (10.0)	0.492 (12.5)	12	1.083 (27.5)	1.181 (30.0)	19	1.772 (45.0)	1.870 (47.5)
6	0.492 (12.5)	0.591 (15.0)	13	1.181 (30.0)	1.260 (32.5)	20	1.870 (47.5)	1.969 (50.0)
7	0.591 (15.0)	0.689 (17.5)	14	1.260 (32.5)	1.378 (35.0)			
8	0.689 (17.5)	0.787 (20.0)	15	1.378 (35.0)	1.476 (37.5)			